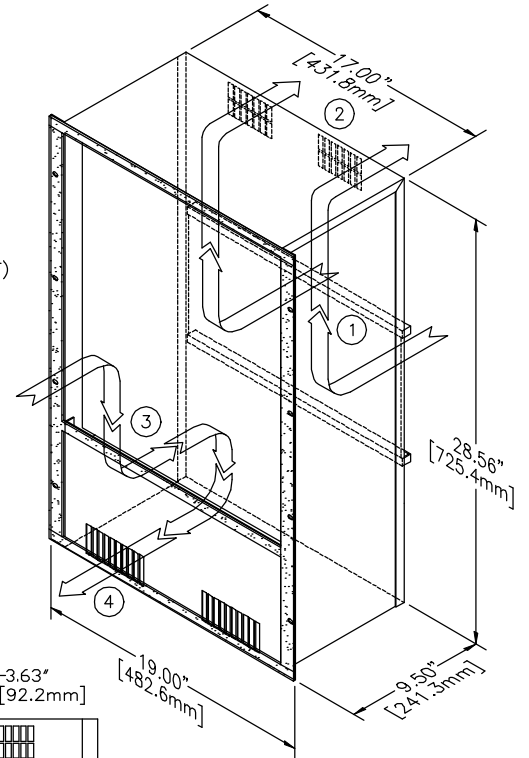


- ① CONDENSER INLET (AMBIENT AIR IN)
- ② CONDENSER OUTLET (WARM AMBIENT AIR OUT)
- ③ WARM AIR RETURN FROM ELECTRONICS
- ④ COOL AIR OUTLET TO ELECTRONICS



DIMENSIONS ARE FOR REFERENCE ONLY AND SUBJECT TO CHANGE.

KOOLTRONIC
COOLING EXCELLENCE FOR ELECTRONICS

57 HAMILTON AVE., P.O. BOX 300
HOPWELL, NEW JERSEY 08525-0300
TEL: 609-466-3400 FAX: 609-466-1114

KAC4P28-8
MID-SIZE
AIR CONDITIONER

4/25/96 DRAWN BY JEFF BARNARD DATE GAO00207

THIS DOCUMENT IS PROPERTY OF KOOLTRONIC, INC. AND CONTAINS PROPRIETARY AND CONFIDENTIAL INFORMATION WHICH MUST NOT BE DUPLICATED, USED OR DISCLOSED OTHER THAN AS EXPRESSLY AUTHORIZED BY KOOLTRONIC, INC.