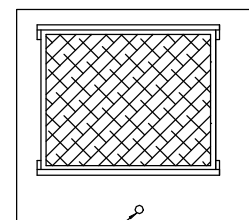
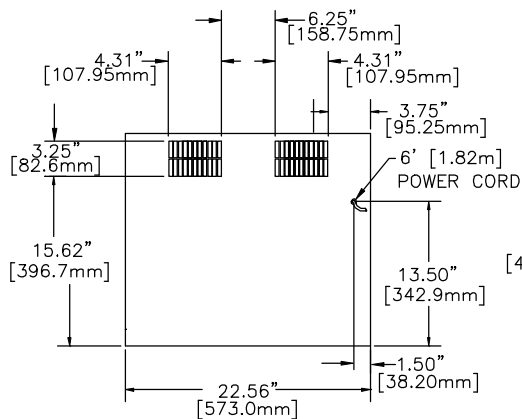
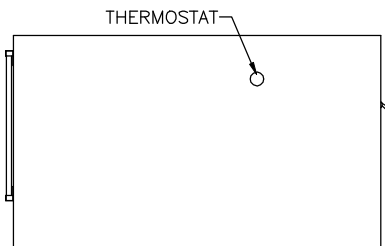
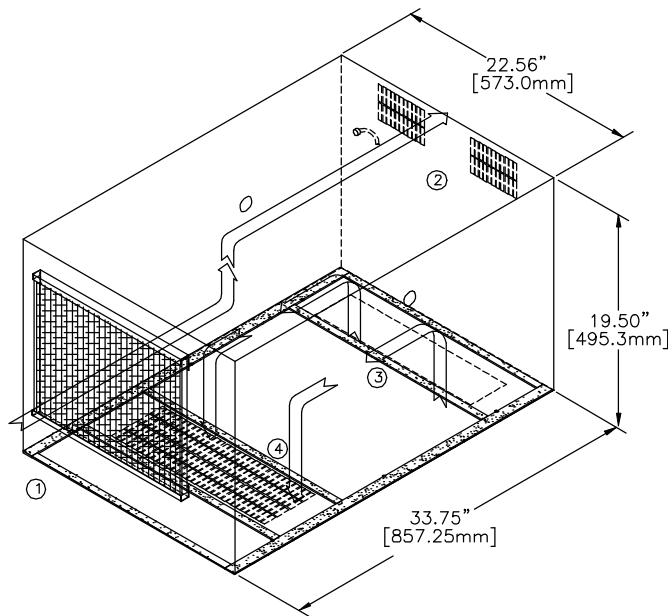
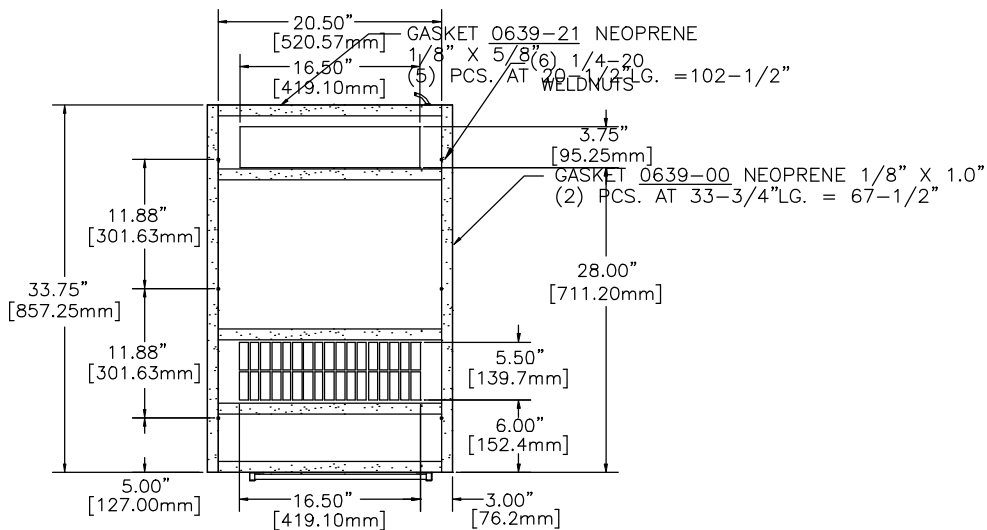



- ① CONDENSATE INLET (AMBIENT AIR IN)
- ② CONDENSATE OUTLET (WARM AMBIENT AIR OUT)
- ③ WARM AIR RETURN FROM ELECTRONICS
- ④ COOL AIR OUTLET TO ELECTRONICS



DRAIN TUBE



DIMENSIONS ARE FOR REFERENCE ONLY AND SUBJECT TO CHANGE.



KOOLTRONIC
COOLING EXCELLENCE FOR ELECTRONICS

57 HAMILTON AVE., P.O. BOX 300
HOPEWELL, NEW JERSEY 08525-0300
TEL: 609-466-3400 FAX: 609-466-1114

**K2A3C14HTL & K2A3C16HTL
TOP MOUNT
AIR CONDITIONER**

6/19/96	STEVE S	GAG00216	1
---------	---------	----------	---

THIS DOCUMENT IS PROPERTY OF KOOLTRONIC, INC. AND CONTAINS PROPRIETARY AND CONFIDENTIAL INFORMATION WHICH MUST NOT BE DUPLICATED, USED OR DISCLOSED OTHER THAN AS EXPRESSLY AUTHORIZED BY KOOLTRONIC, INC.