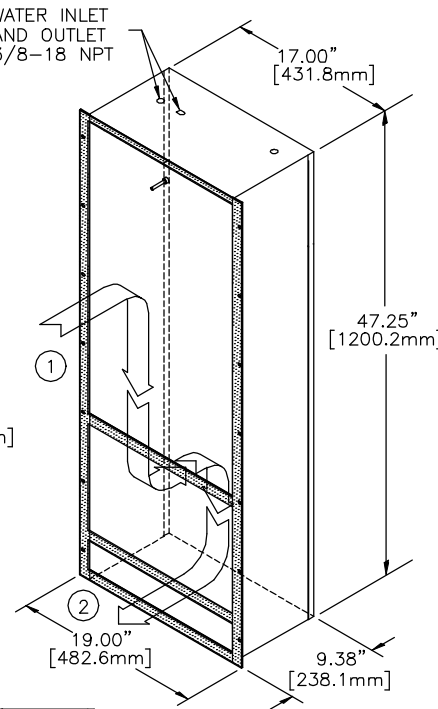
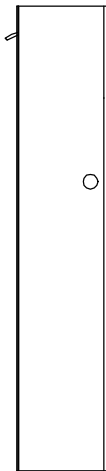
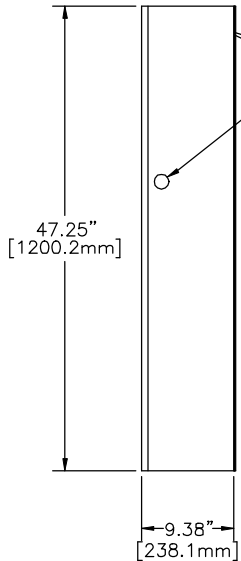
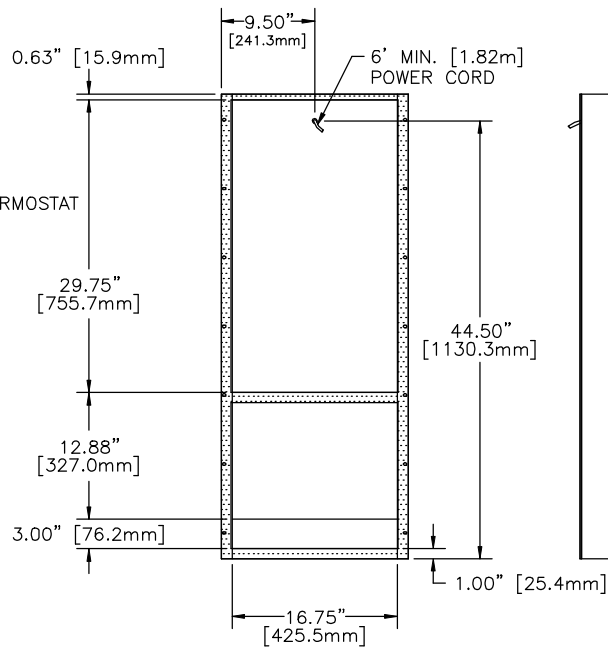
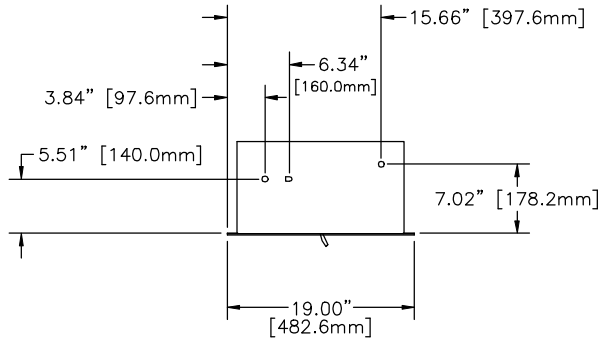


WATER INLET
AND OUTLET
3/8-18 NPT



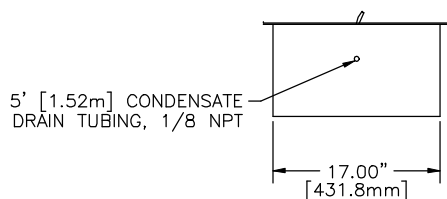
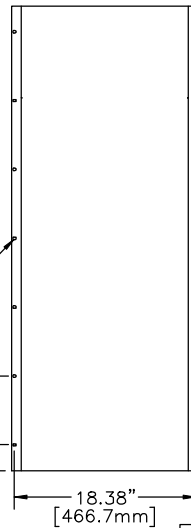
- ① WARM AIR RETURN FROM ELECTRONICS
- ② COOL AIR OUTLET TO ELECTRONICS



(14) .25" [6.4mm] x .38" [9.5mm] SLOTS

7.00" [177.8mm] TYP.

2.63" [66.7mm]



DIMENSIONS ARE FOR REFERENCE ONLY AND SUBJECT TO CHANGE.



57 HAMILTON AVE., P.O. BOX 300
HOPEWELL, NEW JERSEY 08525-0300
TEL: 609-466-3400 FAX: 609-466-1114

KA4C-WP47
PANEL MOUNT
AIR CONDITIONER

7/9/96 DRAWN BY JERRY STEDNICK REV. NO. GA000218 INC. A

THIS DOCUMENT IS PROPERTY OF KOOLTRONIC, INC. AND CONTAINS PROPRIETARY AND CONFIDENTIAL INFORMATION WHICH MUST NOT BE DUPLICATED, USED OR DISCLOSED OTHER THAN AS EXPRESSLY AUTHORIZED BY KOOLTRONIC, INC.