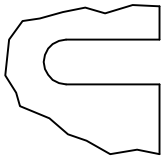
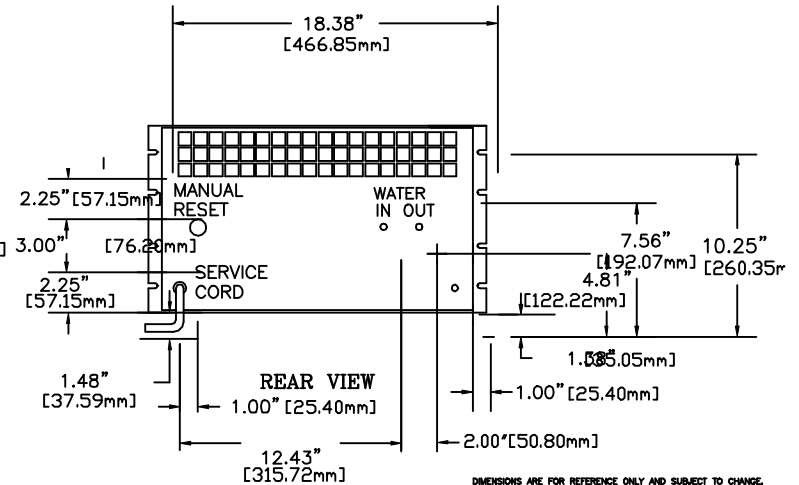
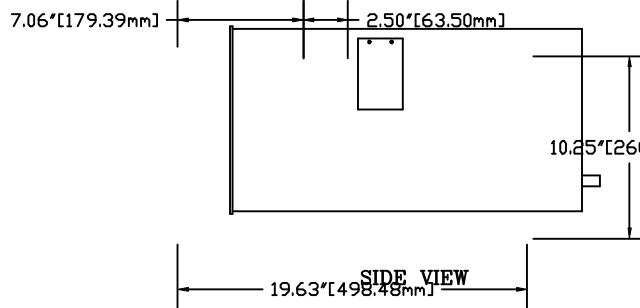
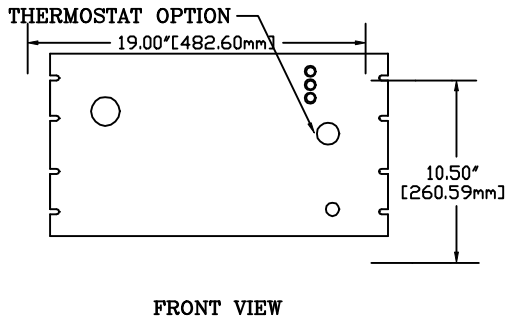
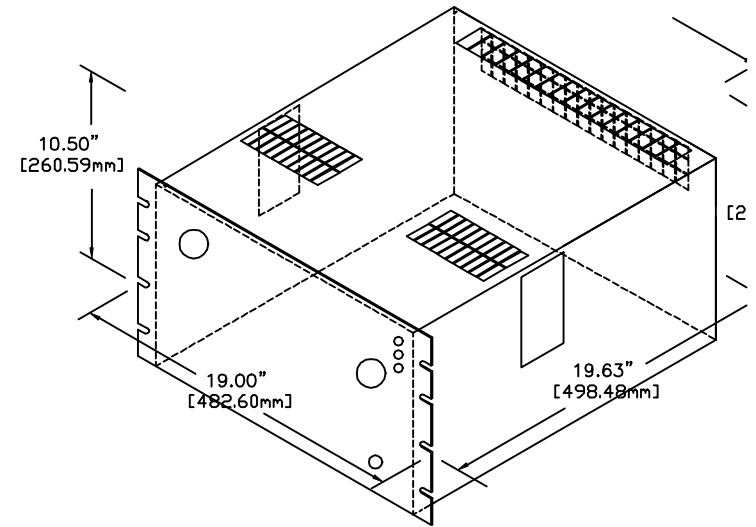
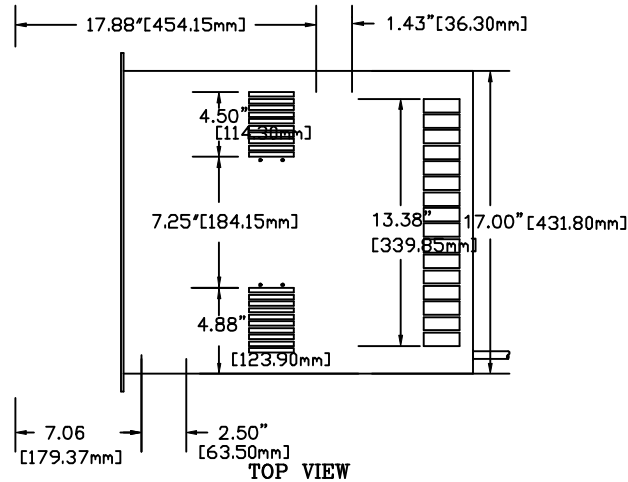


COOLING

DETAIL "A"



DETAIL "A"



NOTES:

- ENTIRE WEIGHT OF AIR CONDITIONER IS INTENDED TO BE SUPPORTED BY THE MOUNTING FLANGES, SLIDE RAILS SHOULD BE USED.

DIMENSIONS ARE FOR REFERENCE ONLY AND SUBJECT TO CHANGE.

**KOOLTRONIC**  
COOLING EXCELLENCE FOR ELECTRONICS

57 HAMILTON AVE., P.O. BOX 300  
HOPWELL, NEW JERSEY 08525-0300  
TEL: 609-466-3400 FAX: 609-466-1114

K2A3C6W56-1  
INTERNAL RACK MOUNT  
AIR CONDITIONER

4/15/97 R.D. MOORE 04050231

THIS DOCUMENT IS PROPERTY OF KOOLTRONIC, INC. AND CONTAINS PROPRIETARY AND CONFIDENTIAL INFORMATION WHICH MUST NOT BE DUPLICATED, USED OR DISCLOSED OTHER THAN AS EXPRESSLY AUTHORIZED BY KOOLTRONIC, INC.