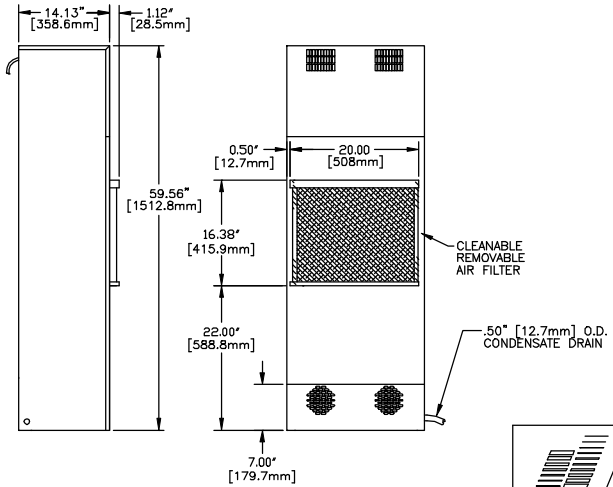
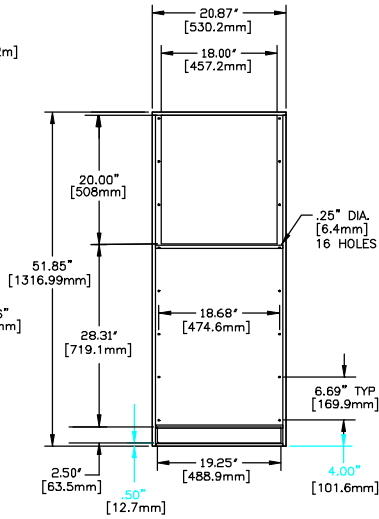
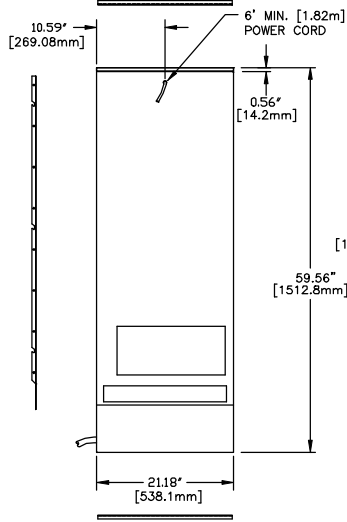
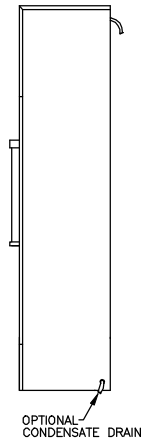
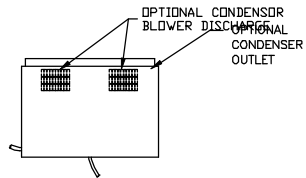
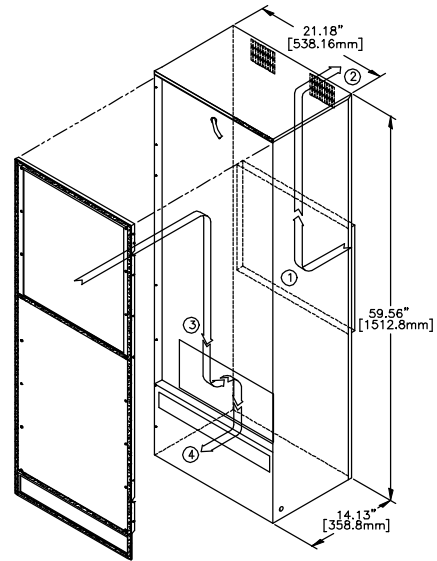


MOUNTING PLAN

- ① CONDENSER INLET (Ambient Air In)
- ② CONDENSER OUTLET (Warm Ambient Air Out)
- ③ WARM AIR RETURN FROM ELECTRONICS
- ④ COOL AIR OUTLET TO ELECTRONICS



30 PENNINGTON-HOPEWELL ROAD, P.O. BOX 240
 PENNINGTON, NEW JERSEY 08534-0240
 TEL: 609-466-3400 FAX: 609-466-1114

GENERAL ARRANGEMENT
 TRIMLINE TP59 AIR-COOLED
 PANEL-MOUNTED AIR CONDITIONER
 K2A3C_TP59R

DATE	DRAWN	S.S.	DWG. NO.	GA000232	REV.
3/20/97					-

DIMENSIONS, INCHES [METRIC], ARE FOR REFERENCE ONLY AND SUBJECT TO CHANGE.

THIS DOCUMENT IS PROPERTY OF KOOLTRONIC, INC. AND CONTAINS PROPRIETARY AND CONFIDENTIAL INFORMATION WHICH MUST NOT BE DUPLICATED, USED OR DISCLOSED OTHER THAN AS EXPRESSLY AUTHORIZED BY KOOLTRONIC, INC.