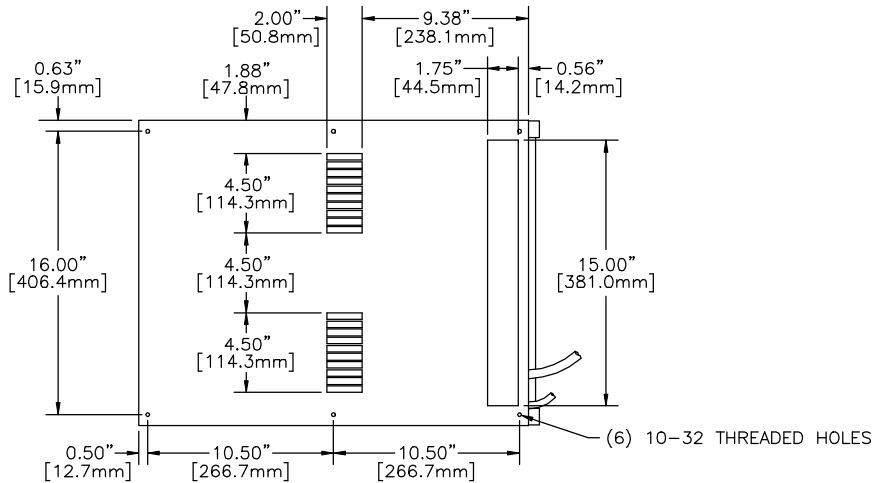
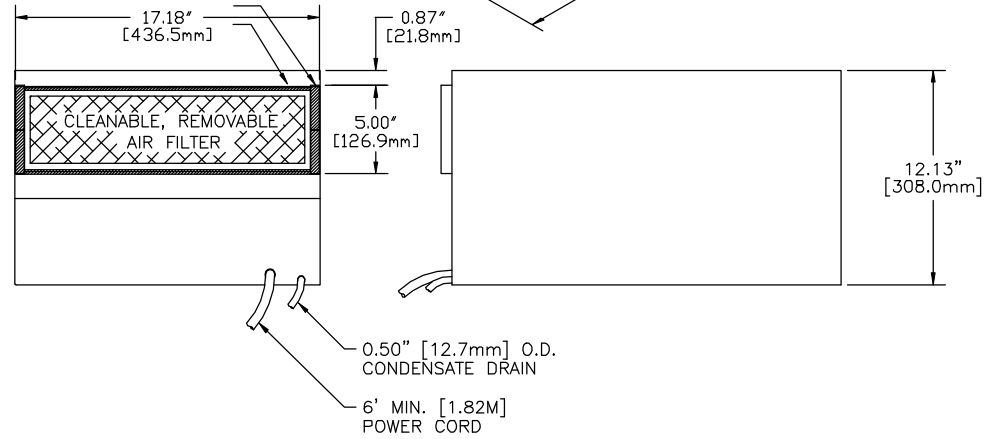
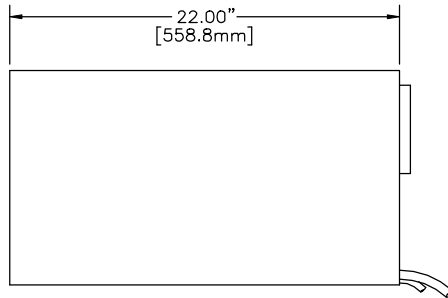
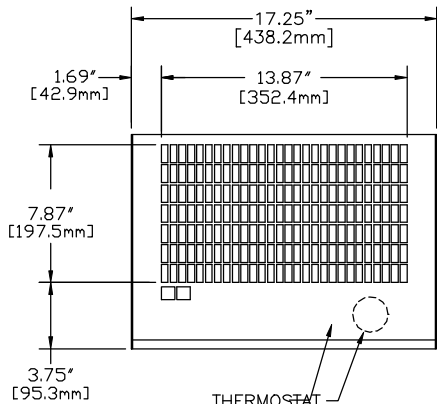
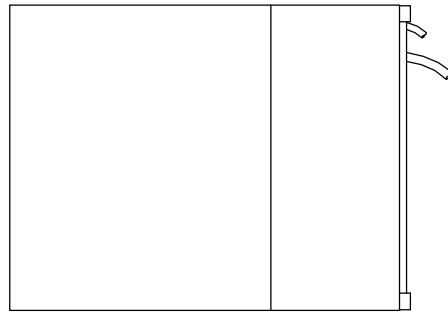
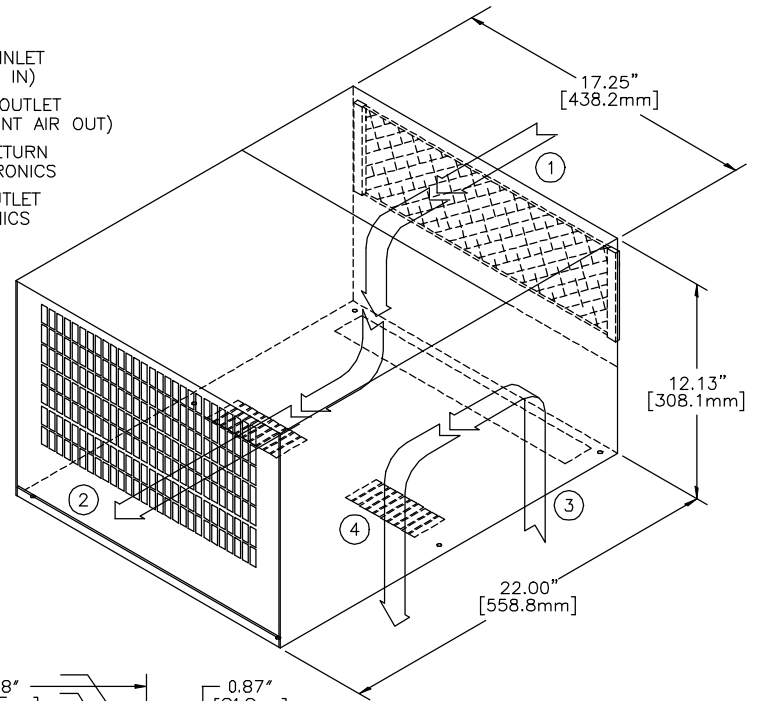


- ① CONDENSER INLET (AMBIENT AIR IN)
- ② CONDENSER OUTLET (WARM AMBIENT AIR OUT)
- ③ WARM AIR RETURN FROM ELECTRONICS
- ④ COOL AIR OUTLET TO ELECTRONICS



DIMENSIONS ARE FOR REFERENCE ONLY AND SUBJECT TO CHANGE.

57 HAMILTON AVE., P.O. BOX 300  
HOPEWELL, NEW JERSEY 08525-0300  
TEL: 609-466-3400 FAX: 609-466-1114

**KA4C...H5L**  
**RACK MOUNT**  
**HORIZ. AIR CONDITIONER**

5/1/97	STEVE S.	GA000235	-
--------	----------	----------	---

THIS DOCUMENT IS PROPERTY OF KOOLTRONIC, INC. AND CONTAINS PROPRIETARY AND CONFIDENTIAL INFORMATION WHICH MUST NOT BE DUPLICATED, USED OR DISCLOSED OTHER THAN AS EXPRESSLY AUTHORIZED BY KOOLTRONIC, INC..