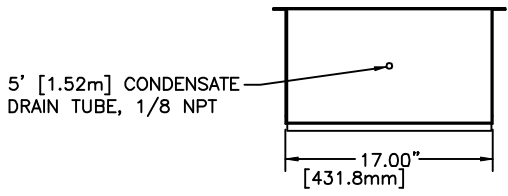
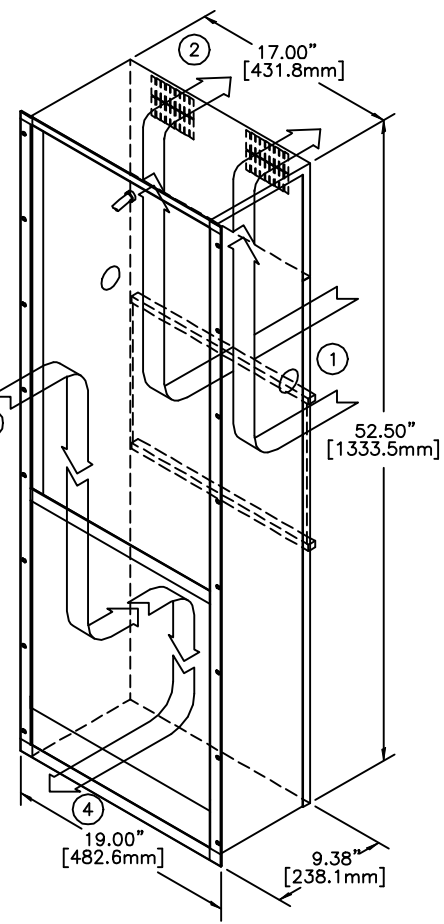
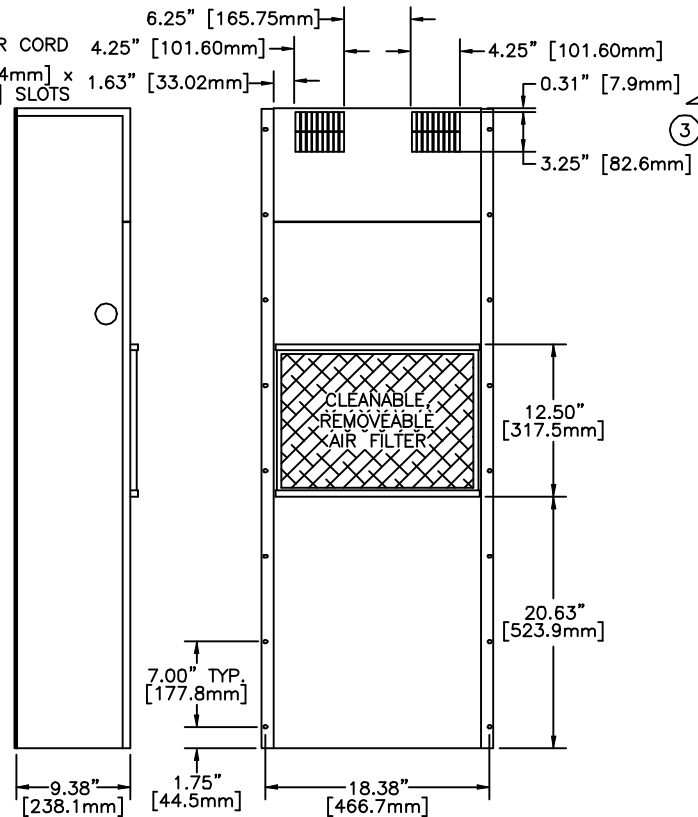



- ① CONDENSER INLET (AMBIENT AIR IN)
- ② CONDENSER OUTLET (WARM AMBIENT AIR OUT)
- ③ WARM AIR RETURN FROM ELECTRONICS
- ④ COOL AIR OUTLET TO ELECTRONICS



DIMENSIONS ARE FOR REFERENCE ONLY AND SUBJECT TO CHANGE.

 KOOLTRONIC COOLING EXCELLENCE FOR ELECTRONICS		
57 HAMILTON AVE., P.O. BOX 300 HOPEWELL, NEW JERSEY 08520-0300 TEL: 609-466-3400 FAX: 609-466-1114		
K2A3C12P52R-1 PANEL MOUNT AIR CONDITIONER		
5/2/97	R.D. MOORE	GA000236
<small>THIS DOCUMENT IS PROPERTY OF KOOLTRONIC, INC. AND CONTAINS PROPRIETARY AND CONFIDENTIAL INFORMATION WHICH MUST NOT BE DUPLICATED, USED OR DISCLOSED OTHER THAN AS EXPRESSLY AUTHORIZED BY KOOLTRONIC, INC.</small>		