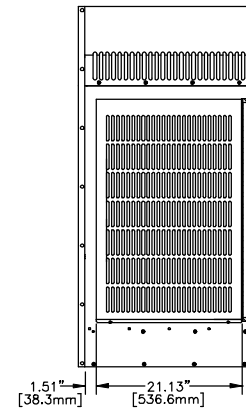
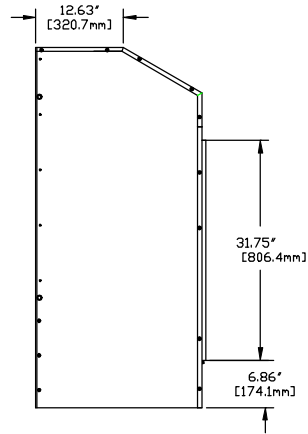
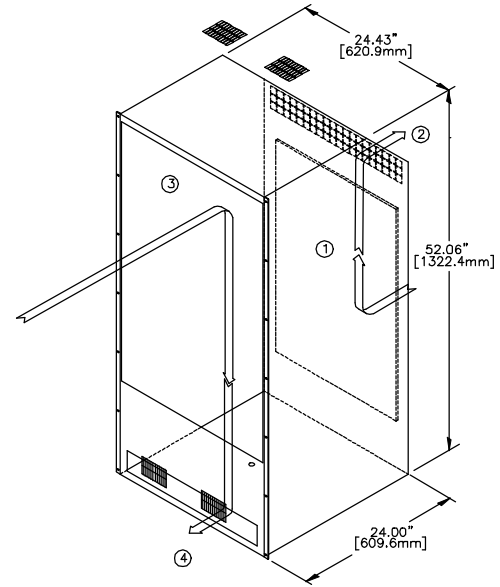


- ① CONDENSER INLET  
(Ambient Air In)
- ② CONDENSER OUTLET  
(Warm Ambient Air Out)
- ③ WARM AIR RETURN  
FROM ELECTRONICS
- ④ COOL AIR OUTLET  
TO ELECTRONICS



DIMENSIONS ARE FOR REFERENCE ONLY AND SUBJECT TO CHANGE.



57 HAMILTON AVE., P.O. BOX 300  
 HOPWELL, NEW JERSEY 08520-0300  
 TEL. 609-466-3400 FAX: 609-466-1114

K2WA3C30TP52RBDN  
 AIR CONDITIONER

2/13/98 JERRY STEDNICK GA000244

THIS DOCUMENT IS PROPERTY OF KOOLTRONIC, INC. AND CONTAINS PROPRIETARY AND CONFIDENTIAL INFORMATION WHICH MUST NOT BE REPLICATED, USED, OR DISCLOSED OTHER THAN AS EXPRESSLY AUTHORIZED BY KOOLTRONIC, INC.