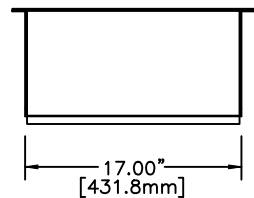
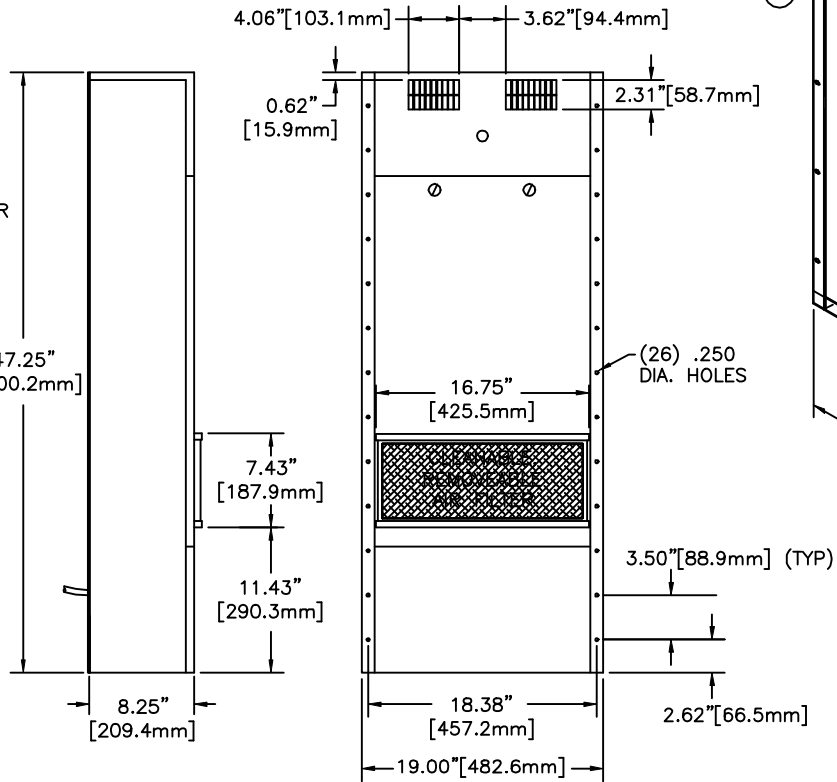
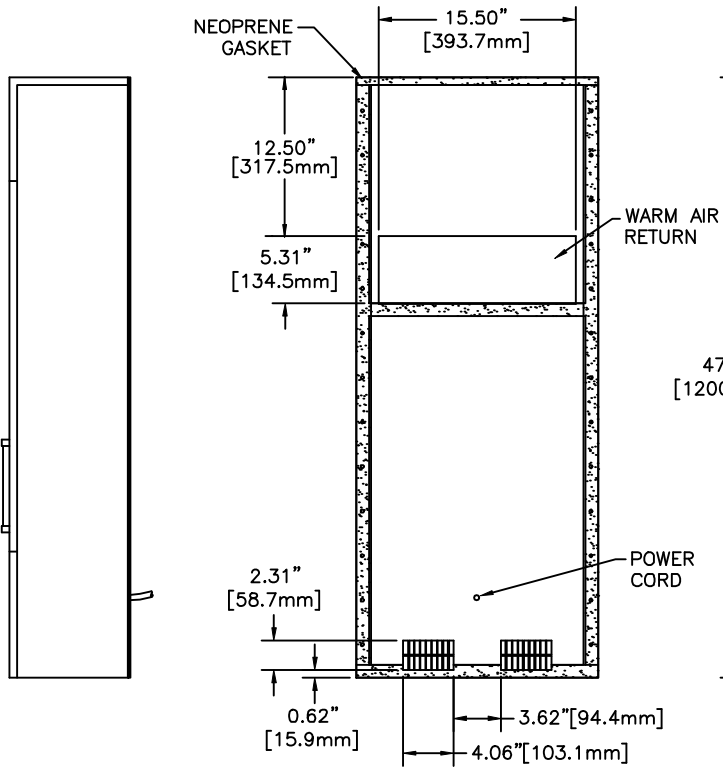
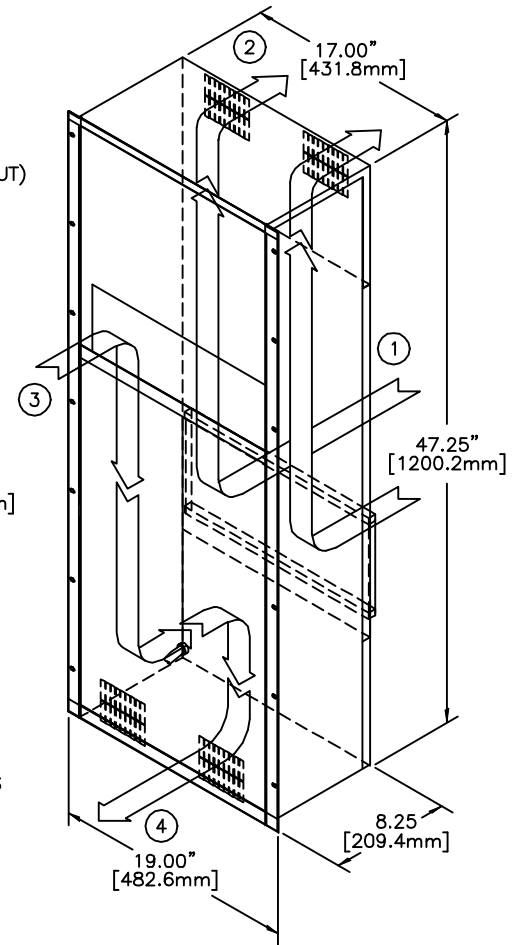



- ① CONDENSER INLET (AMBIENT AIR IN)
- ② CONDENSER OUTLET (WARM AMBIENT AIR OUT)
- ③ WARM AIR RETURN FROM ELECTRONICS
- ④ COOL AIR OUTLET TO ELECTRONICS



DIMENSIONS ARE FOR REFERENCE ONLY AND SUBJECT TO CHANGE.



**KOOLTRONIC**  
COOLING EXCELLENCE FOR ELECTRONICS

57 HAMILTON AVE., P.O. BOX 300  
HOPWELL, NEW JERSEY 08525-0300  
TEL: 609-466-5400 FAX: 609-466-1114

**KXE245A**  
**HEAT EXCHANGER**

3/18/98	STEVE S.	GA000246	
---------	----------	----------	--

THIS DOCUMENT IS PROPERTY OF KOOLTRONIC, INC. AND CONTAINS PROPRIETARY AND CONFIDENTIAL INFORMATION WHICH MUST NOT BE DUPLICATED, USED OR DISCLOSED OTHER THAN AS EXPRESSLY AUTHORIZED BY KOOLTRONIC, INC.