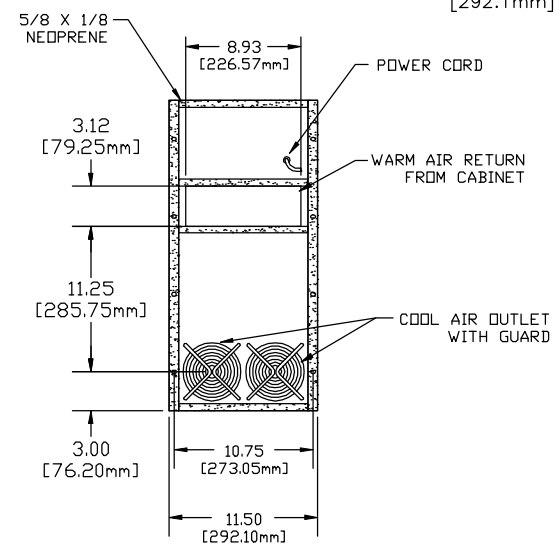
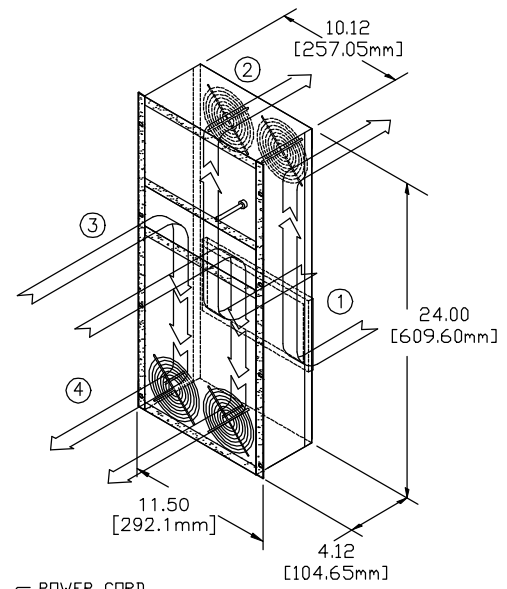


- ① CONDENSER INLET (AMBIENT AIR IN)
- ② CONDENSER OUTLET (WARM AMBIENT AIR OUT)
- ③ WARM AIR RETURN FROM ELECTRONICS
- ④ COOL AIR OUTLET TO ELECTRONICS



DIMENSIONS ARE FOR REFERENCE ONLY AND SUBJECT TO CHANGE.



57 HAMILTON AVE., P.O. BOX 300
HOPEWELL, NEW JERSEY 08520-0300
TEL: 609-466-3400 FAX: 609-466-1114

**KXHE120A
HEAT EXCHANGER**

| | | | |
|---------|----------|---------|----------|
| DATE | DRAWN BY | CHKD BY | REV |
| 4/14/98 | STEVE S. | | GA000248 |

THIS DOCUMENT IS PROPERTY OF KOOLTRONIC, INC. AND CONTAINS PROPRIETARY AND CONFIDENTIAL INFORMATION WHICH MUST NOT BE DUPLICATED, USED OR DISCLOSED OTHER THAN AS EXPRESSLY AUTHORIZED BY KOOLTRONIC, INC.