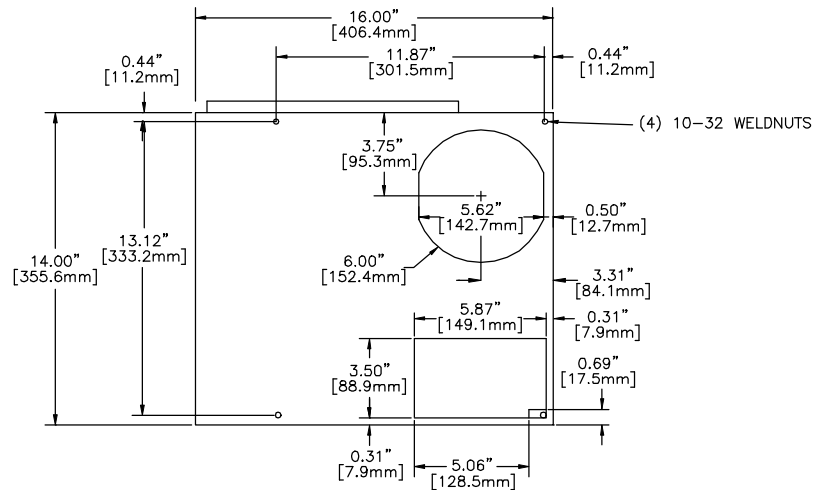


- ① CONDENSER INLET (Ambient Air In)
- ② CONDENSER OUTLET (Warm Ambient Air Out)
- ③ WARM AIR RETURN FROM ELECTRONICS
- ④ COOL AIR OUTLET TO ELECTRONICS



DIMENSIONS ARE FOR REFERENCE ONLY AND SUBJECT TO CHANGE.



57 HAMILTON AVE., P.O. BOX 300
 HOPKELL, NEW JERSEY 08525-0300
 TEL: 609-466-3400 FAX: 609-466-1114

KA4C...HSL
 HORIZ. SUPER-MINI
 AIR CONDITIONER

5/14/95 Jeff Bernard GA000250

THIS DOCUMENT IS PROPERTY OF KOOLTRONIC, INC. AND CONTAINS PROPRIETARY AND CONFIDENTIAL INFORMATION WHICH MUST NOT BE DUPLICATED, USED OR DISCLOSED OTHER THAN AS EXPRESSLY AUTHORIZED BY KOOLTRONIC, INC.