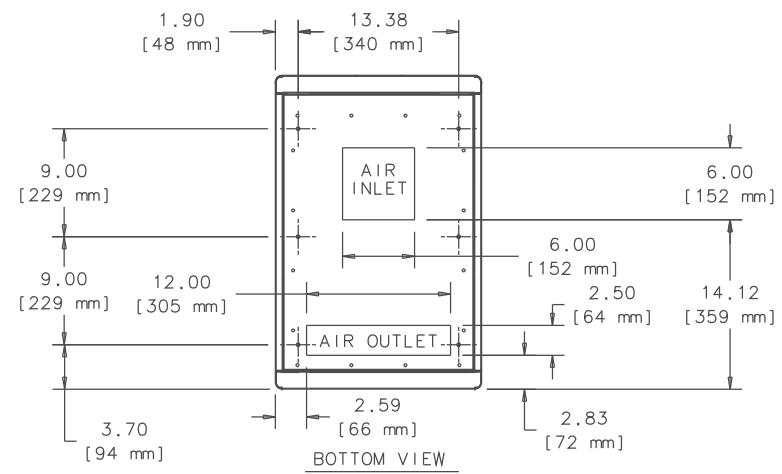
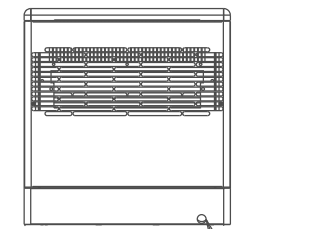
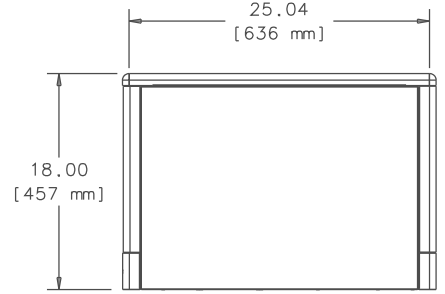
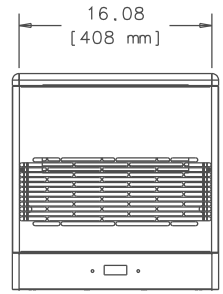
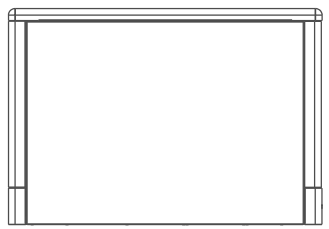
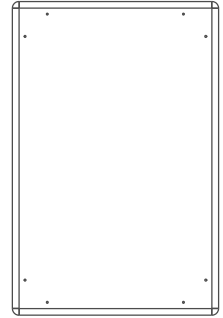
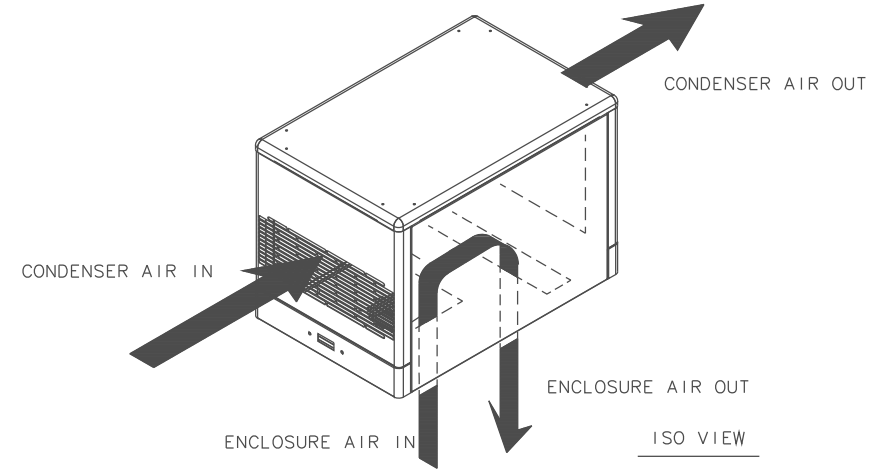


THIS DOCUMENT IS THE PROPERTY OF KOOLTRONIC, INC. AND CONTAINS PROPRIETARY AND CONFIDENTIAL INFORMATION WHICH MUST NOT BE DUPLICATED, USED OR DISCLOSED TO OTHERS, EXCEPT AS EXPRESSLY AUTHORIZED IN WRITING BY KOOLTRONIC, INC.

C EC 10/302 PICTORIAL UPDATE-GRILLE PATTERN. 6/15/10 MEM/

REVISIONS				
SYM	NOTICE	DESCRIPTION	DATE	APPROVED
-	ER 06/171	NEW DRAWING RELEASE.	6/26/06	DW-
A	EC 07/135	PICTORIAL UPDATE.	4/2/07	DW-
B	EC 08/852	PICTORIAL UPDATE.	10/6/08	DW-



UNLESS OTHERWISE SPECIFIED TOLERANCES NON-ACCUMULATIVE			ALL DIMENSIONS ARE IN INCHES. DIMENSIONS DESIGNATED MM ARE IN MILLIMETERS.		DRAWN		DATE		
TOL. ON	INCHES	MM	DRAWN	D. WALDRON	DATE	6/16/06			
.XX	± .02	±	CHECKED	STEVE SCHMIERER	10/18/06	TITLE			
.XXX	± .010	±	ENG.	R. Kaufman	6/28/06	ADVANTAGE TOP MOUNT GENERAL ARRANGEMENT			
ANGULAR	± 1/2 °		MFG. ENG.						
MATERIAL			CODE IDENT. NO.			SIZE	QTY. NO.	REV	
UNIT			K__C_RTR			06223	C	GA00425A	C
APPROVED			B KREELEY			10/20/06	SCALE, 1:25 * = 1 *	CAD. REF.	SHEET 1 OF 1