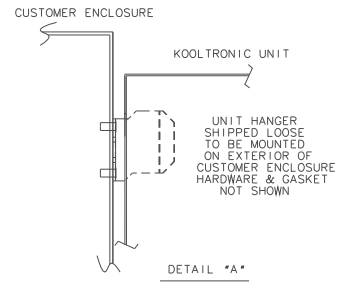
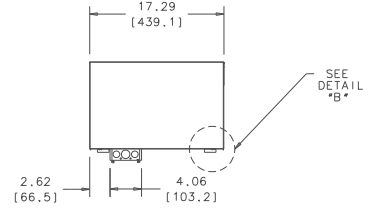
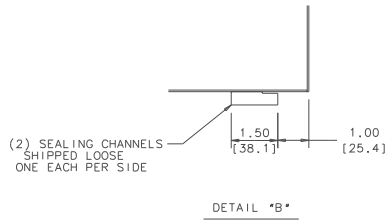
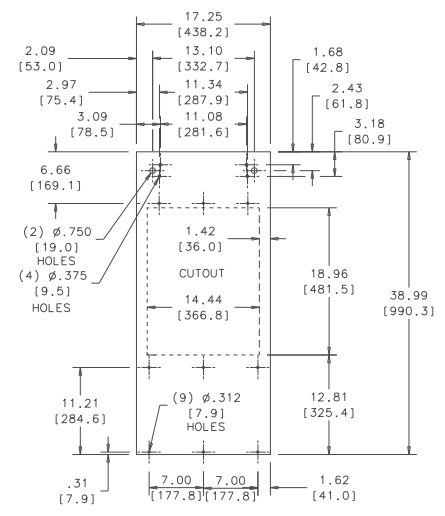
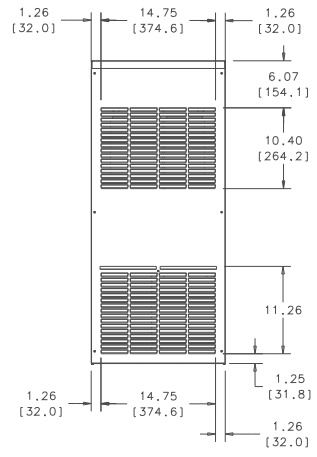
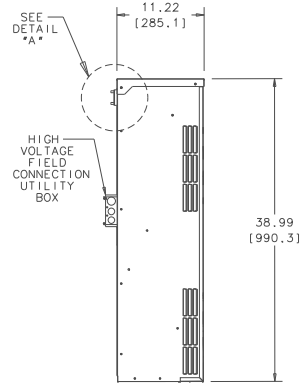
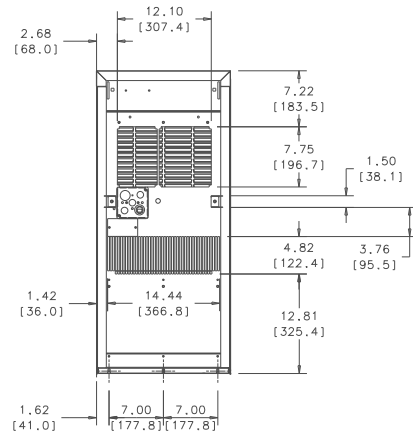
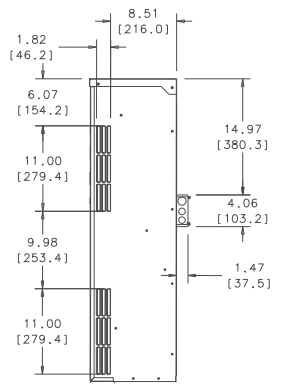
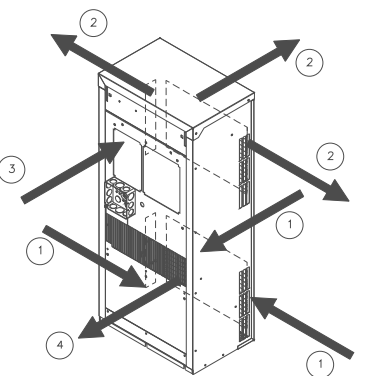


THIS DOCUMENT IS THE PROPERTY OF KOOLTRONIC, INC. AND CONTAINS PROPRIETARY AND CONFIDENTIAL INFORMATION WHICH MUST NOT BE DUPLICATED, USED OR DISCLOSED TO OTHERS, EXCEPT AS EXPRESSLY AUTHORIZED IN WRITING BY KOOLTRONIC, INC.

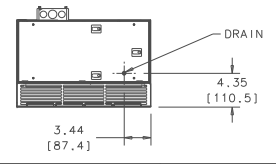
REVISIONS				
SYM	NOTICE	DESCRIPTION	DATE	APPROVED
-	ER 11/006	NEW DRAWING RELEASE	1/6/11	DW-



- ① CONDENSER AIR INLET
- ② CONDENSER AIR OUTLET
- ③ WARM AIR RETURN
- ④ COOL AIR OUTLET



GA00434A



ALL DIMENSIONS ARE IN INCHES. DIMENSIONS DESIGNATED M ARE IN MILLIMETERS. UNLESS OTHERWISE SPECIFIED TOLERANCES NON-DECIMALATIVE.				DRAWN: D. WALDRON DATE: 1/6/11		 <small>PENNSYLVANIA, PA USA</small>
TOL. ON	INCHES	M	CHECKED	DATE	TITLE	
.XX	: .02	:	Steve Schmitterer	1/12/11	GENERAL ARRANGEMENT K3NA4CSDP38L	
.XXX	: .010	:	Joe Milko	1/13/11		
ANGULAR	: 1/2		MFG. ENG.			
MATERIAL	SEE BOM					CODE IDENT. NO. SIZE DWG. NO. REV
UNIT	K3NA4CSDP38L					06223 D GA00434A
	APPROVED: Bruce Kreeley 4/20/11					SCALE: 1/25=1:1 CAD. REF. SHEET 1 OF 1