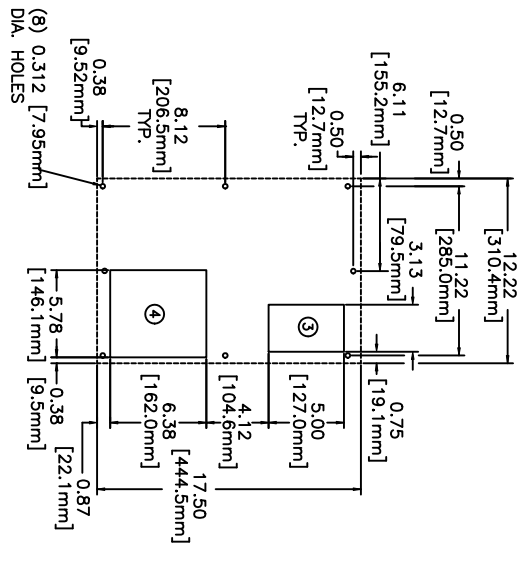


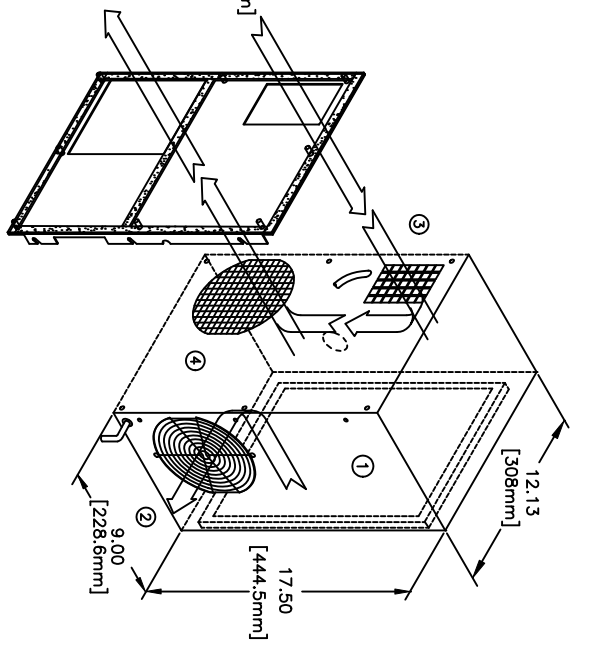
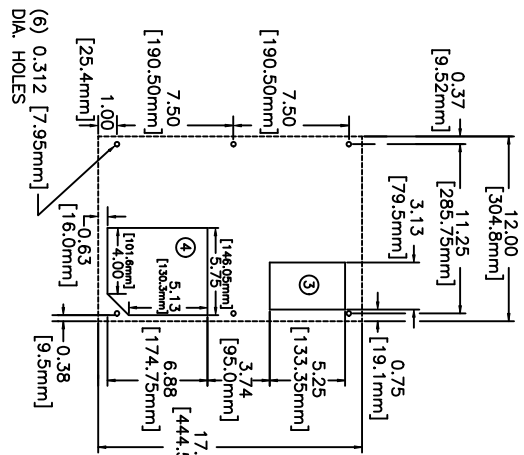
THIS DOCUMENT IS THE PROPERTY OF KOOLTRONIC, INC. AND CONTAINS PROPRIETARY AND CONFIDENTIAL INFORMATION WHICH MUST NOT BE DUPLICATED, USED OR DISCLOSED OTHER THAN AS EXPRESSLY AUTHORIZED BY KOOLTRONIC, INC.

SYM	NOTICE	REVISIONS	DESCRIPTION	DATE	APPROVED
-	EC 04/129		NEW DRAWING - RELEASE	4/15/04	RBW

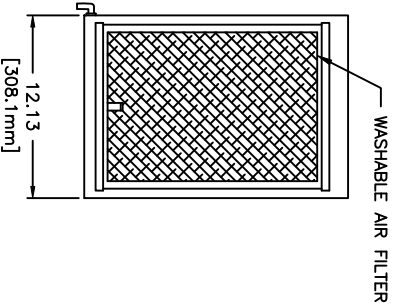
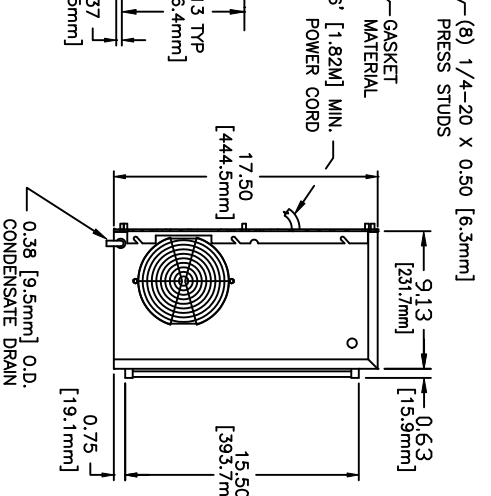
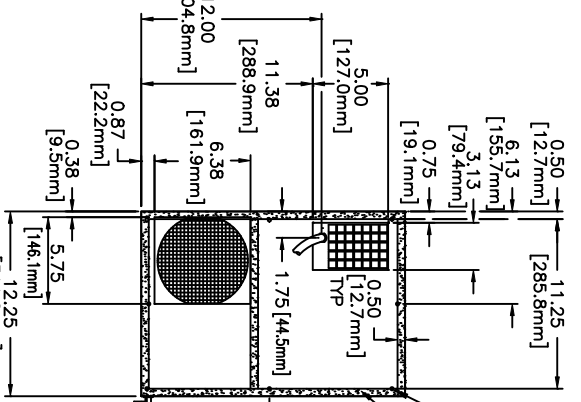
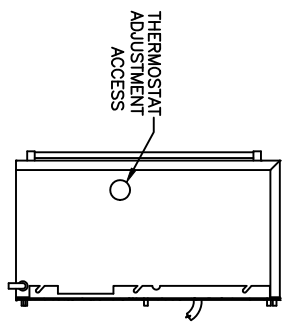
"M-TAB" MOUNTING PLAN



"NEMA 12" MOUNTING PLAN



- ① CONDENSER INLET (Ambient Air In)
- ② CONDENSER OUTLET (Warm Ambient Air Out)
- ③ WARM AIR RETURN FROM ELECTRONICS
- ④ COOL AIR OUTLET TO ELECTRONICS



- SHIP LOOSE:
- (9) 1/4-20 PRESS STUDS (0438-14)
  - (8) 1/4-20 HEX NUTS (0609-04)
  - (8) 1/4 LOCK WASHERS (0430-07)
  - (5) CLEAR PVC TUBING (0625-38)
  - (1) SPRING HOSE CLAMP (0634-18)

DIMENSIONS DESIGNATED MM ARE IN MILLIMETERS.				DIMENSIONS DESIGNATED INCHES ARE IN INCHES.	
TOL. ON INCHES	MM	CHECKED	DATE	DRWN	REV
XX ± .02	±	ENG.	4/15/04		
XXX ± .010	±	MFG. ENG.			
ANGULAR	± 1/2°				
MATERIAL					
UNIT	NP17L	APPROVED			

**KOOLTRONIC, INC.**  
ROPERVILLE, NJ VENTURA, CA USA

TITLE  
GENERAL ARRANGEMENT  
KA4C...NP17L

CODE IDENT. NO. SIZE DWG. NO. REV  
06223 C GA18000A  
SCALE 3/16"=1" CAD. REF. GA18000A SHEET 1 OF 1