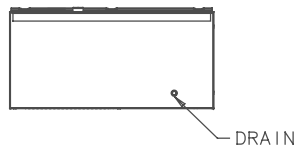
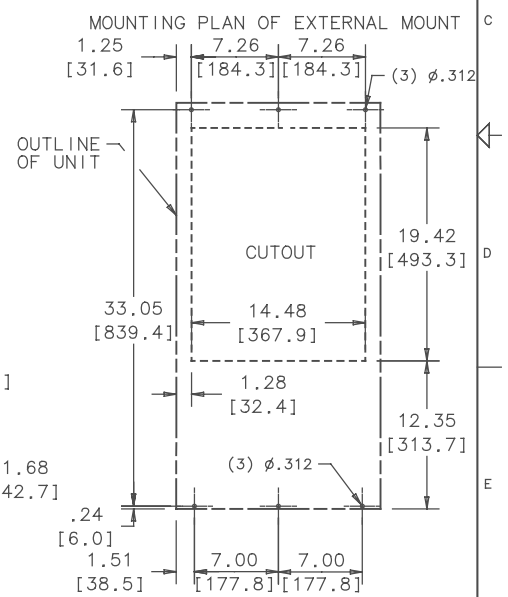
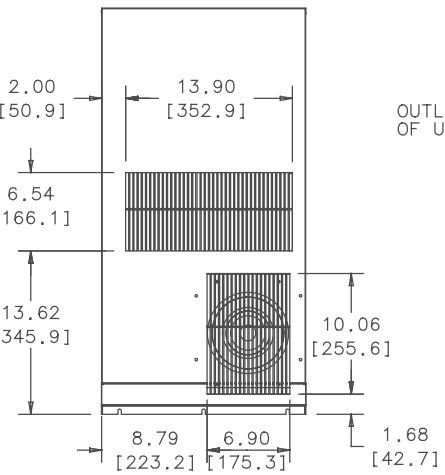
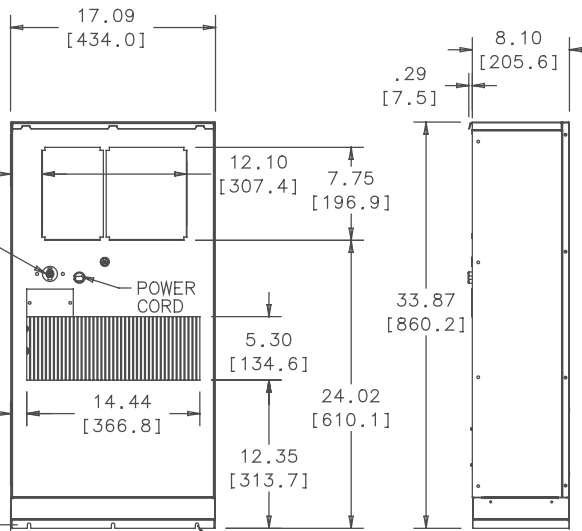
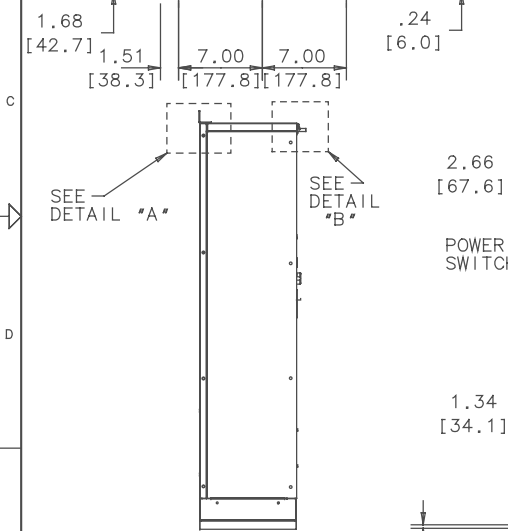
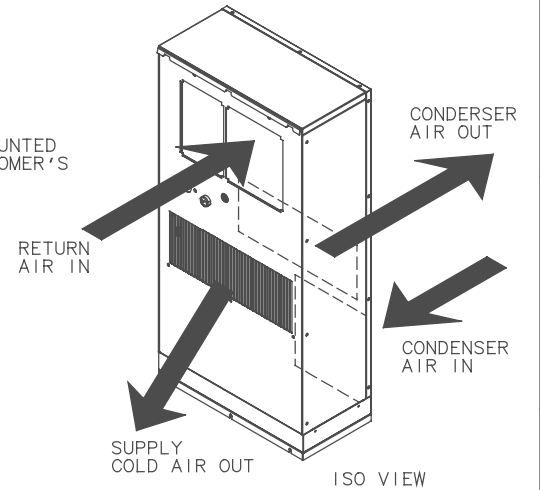
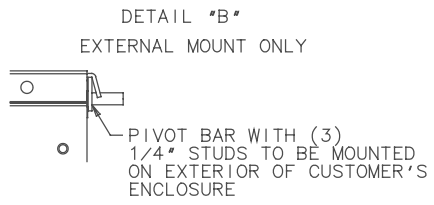
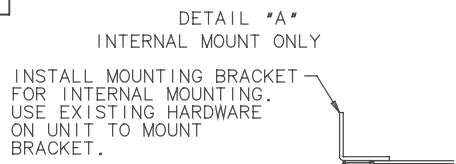
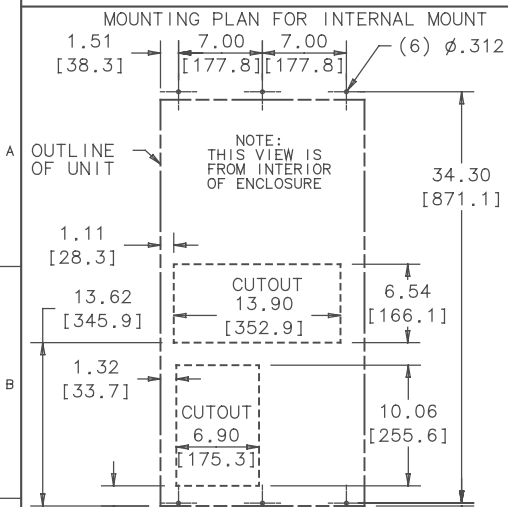


THIS DOCUMENT IS THE PROPERTY OF KOOLTRONIC, INC. AND CONTAINS PROPRIETARY AND CONFIDENTIAL INFORMATION WHICH MUST NOT BE DUPLICATED, USED OR DISCLOSED TO OTHERS, EXCEPT AS EXPRESSLY AUTHORIZED IN WRITING BY KOOLTRONIC, INC.

REVISIONS				
SYM	NOTICE	DESCRIPTION	DATE	APPROVED
-	ER 05/084	NEW DRAWING RELEASE	7/7/05	JS



TOLERANCES			
TOL. ON	INCHES	MM	
.XX	\pm .02	\pm	
.XXX	\pm .010	\pm	
ANGULAR		\pm 1/2°	

ALL DIMENSIONS ARE IN INCHES. DIMENSIONS DESIGNATED MM ARE IN MILLIMETERS.			
UNLESS OTHERWISE SPECIFIED TOLERANCES NON-ACCUMULATIVE	DRAWN	DATE	
	JERRY STEDNICK	3/21/05	
	CHECKED		
	ENG.		
	BORIS MUZIKANT		
	MFG. ENG.		
MATERIAL			
UNIT	K_A4C5DP33L	APPROVED	

KOOLTRONIC, INC.
PENNINGTON, NJ USA

TITLE
GENERAL ARRANGEMENT

CODE IDENT. NO.	SIZE	DWG. NO.	REV.
06223	C	GA25700A	-
SCALE 1/25=1	CAD. REF.	SHEET	1 OF 1