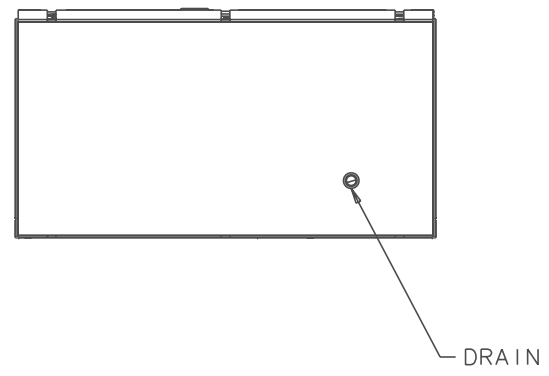
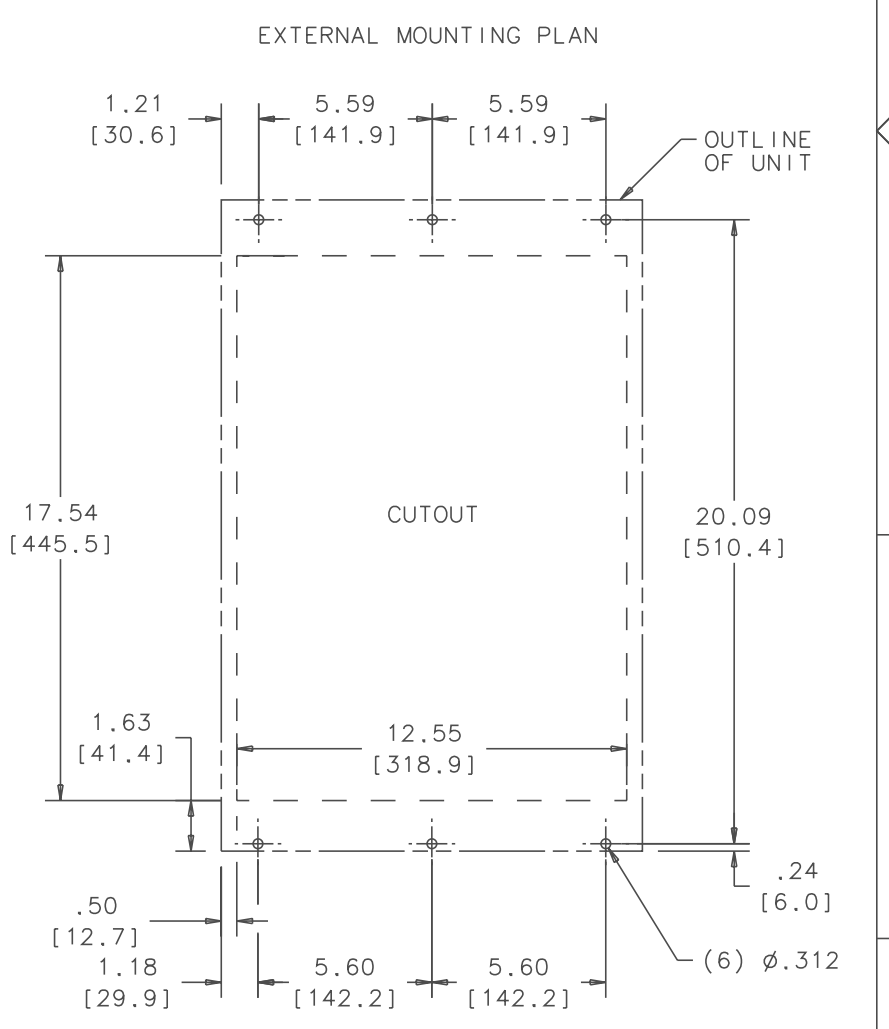
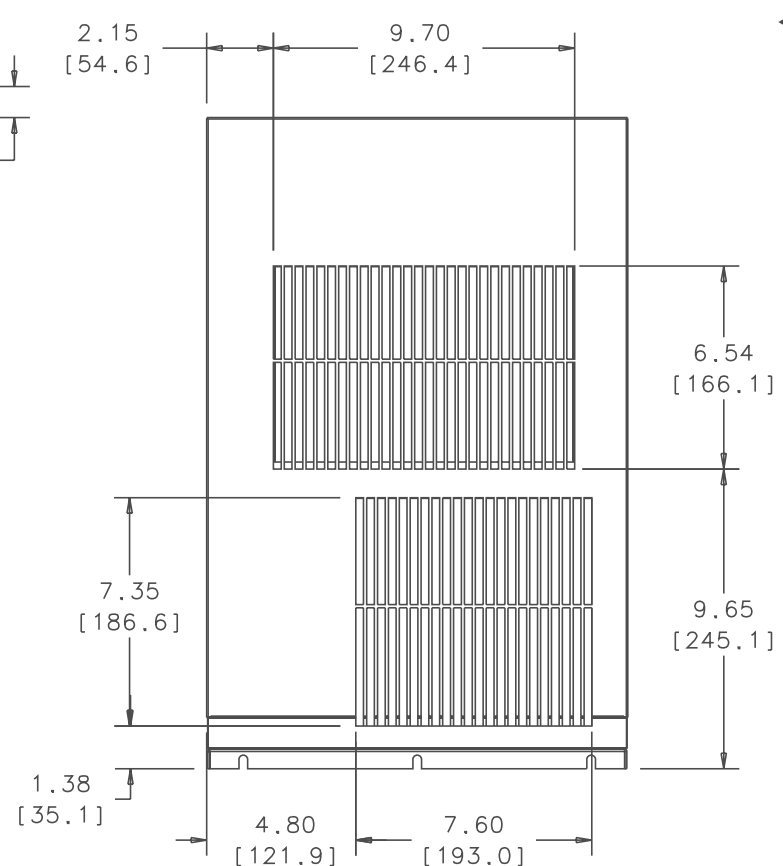
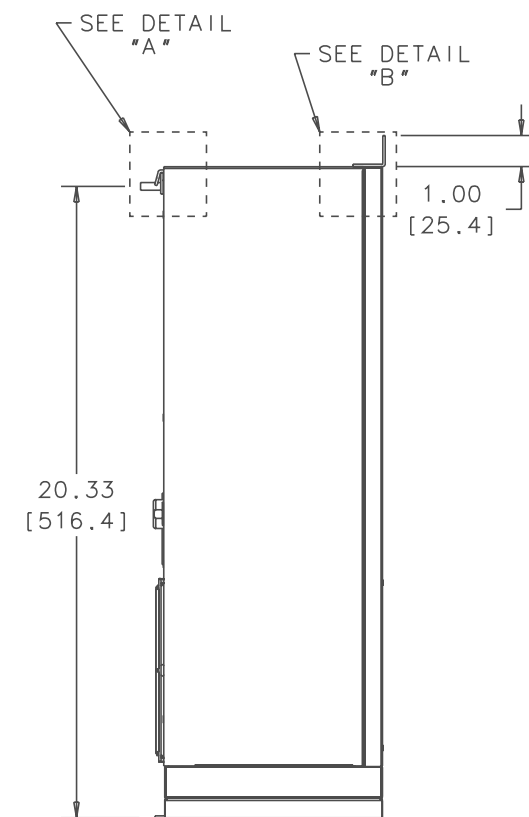
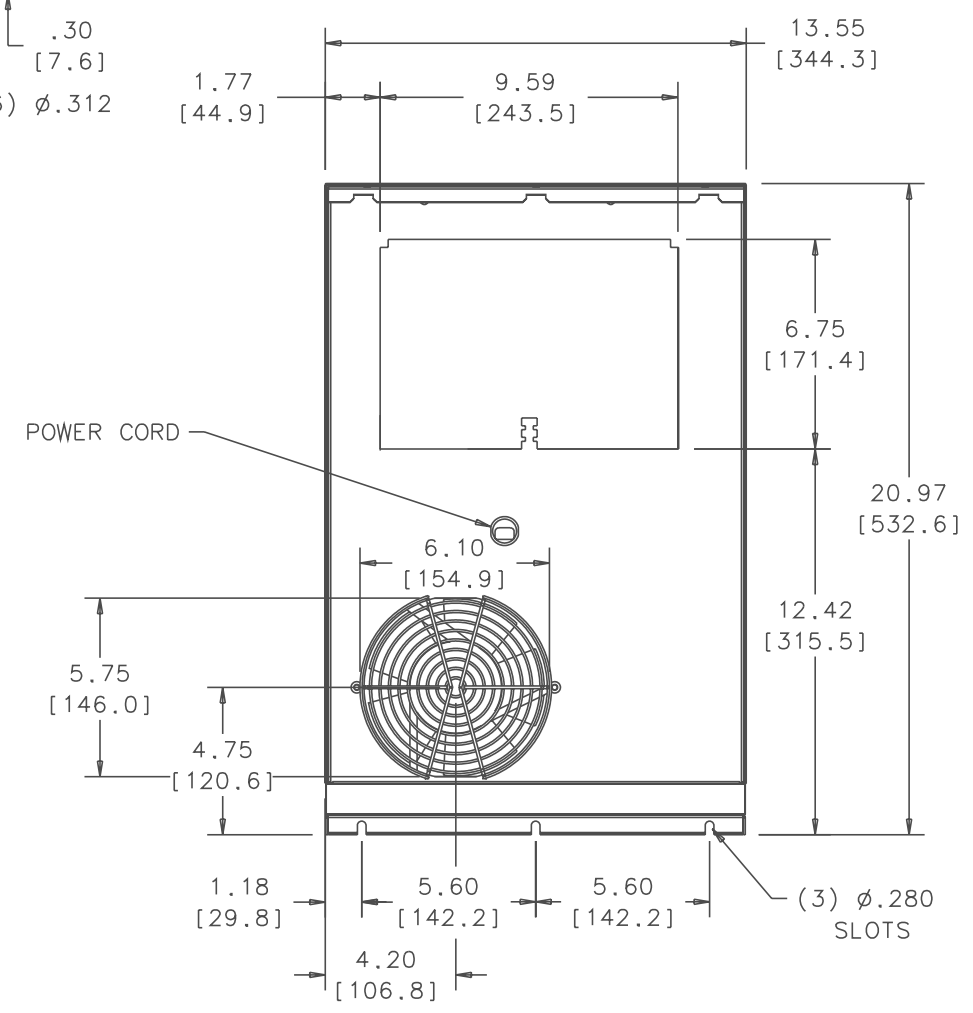
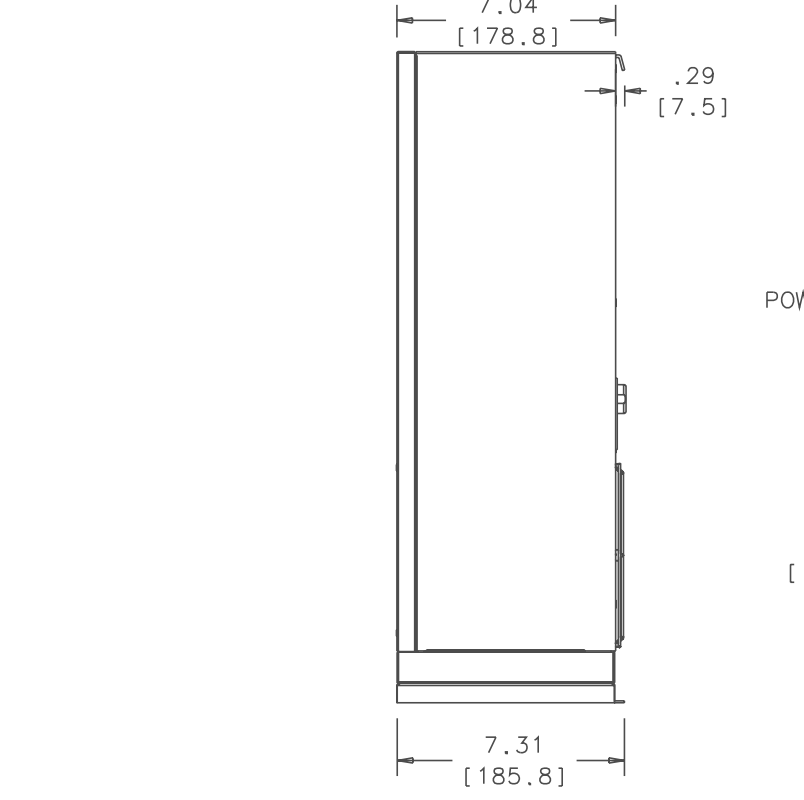
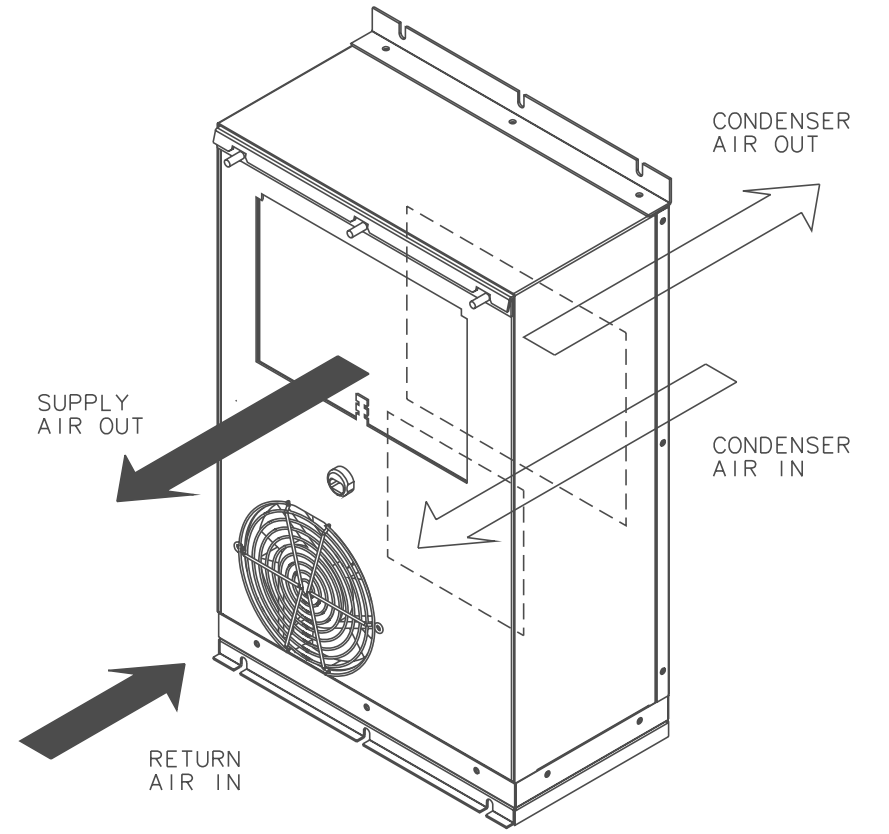
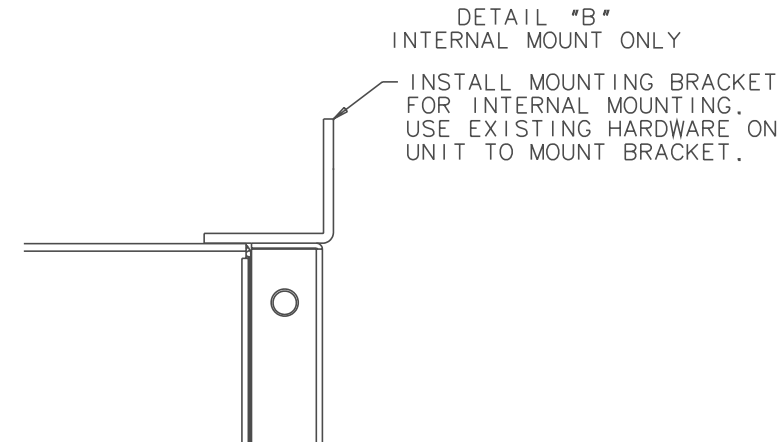
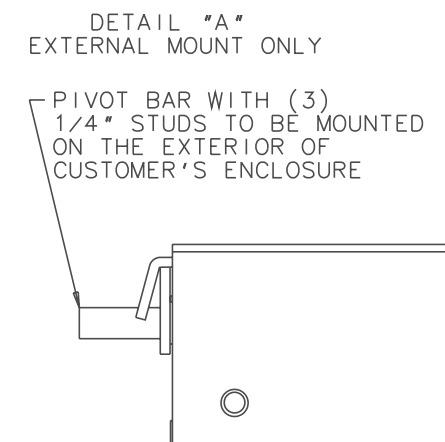
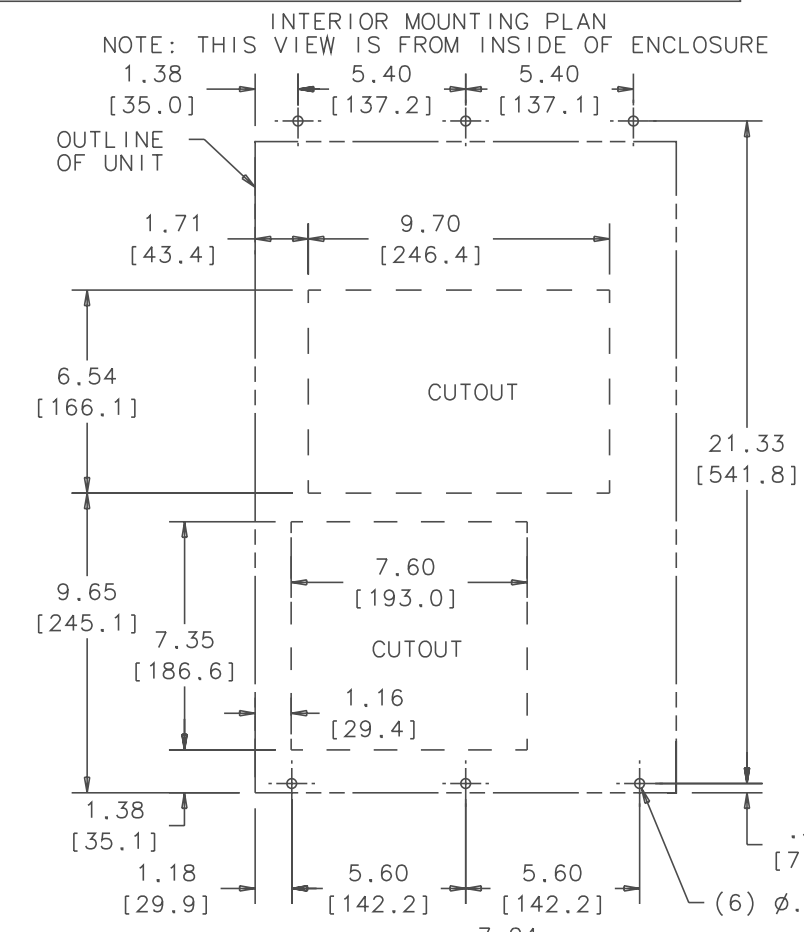


THIS DOCUMENT IS THE PROPERTY OF KOOLTRONIC, INC. AND CONTAINS PROPRIETARY AND CONFIDENTIAL INFORMATION WHICH MUST NOT BE DUPLICATED, USED OR DISCLOSED TO OTHERS, EXCEPT AS EXPRESSLY AUTHORIZED IN WRITING BY KOOLTRONIC, INC.

| REVISIONS | | | | |
|-----------|-----------|---------------------|--------|----------|
| SYM | NOTICE | DESCRIPTION | DATE | APPROVED |
| - | ER 05/16B | NEW DRAWING RELEASE | 2/9/06 | JS |



| TOLERANCES UNLESS OTHERWISE SPECIFIED | | | | DRAWN | | DATE | |
|--|-----------|----------|-----|----------------------------|----------------|---------|--|
| TOL. | ON | INCHES | MM | JERRY | STEDNICK | 12/2/05 | |
| .xx | ± | .02 | ± | CHECKED | MEM | 1/04/06 | |
| .xxx | ± | .010 | ± | ENG. | BORIS MUZIKANT | 12/5/05 | |
| ANGULAR | | ± 1/2° | | MFG. ENG. | | | |
| MATERIAL | | | | APPROVED | | DATE | |
| UNIT KA4C3DP21L | | | | B KREELEY | | 1/23/06 | |
| ALL DIMENSIONS ARE IN INCHES. DIMENSIONS DESIGNATED MM ARE IN MILLIMETERS. | | | | | | | |
| UNLESS OTHERWISE SPECIFIED TOLERANCES NON-ACCUMULATIVE. | | | | GENERAL ARRANGEMENT | | | |
| CODE IDENT. NO. | SIZE | DWG. NO. | REV | | | | |
| 06223 | D | GA25900A | - | | | | |
| SCALE | CAD. REF. | SHEET | | 1 OF 1 | | | |
| .25=1 | | | | | | | |