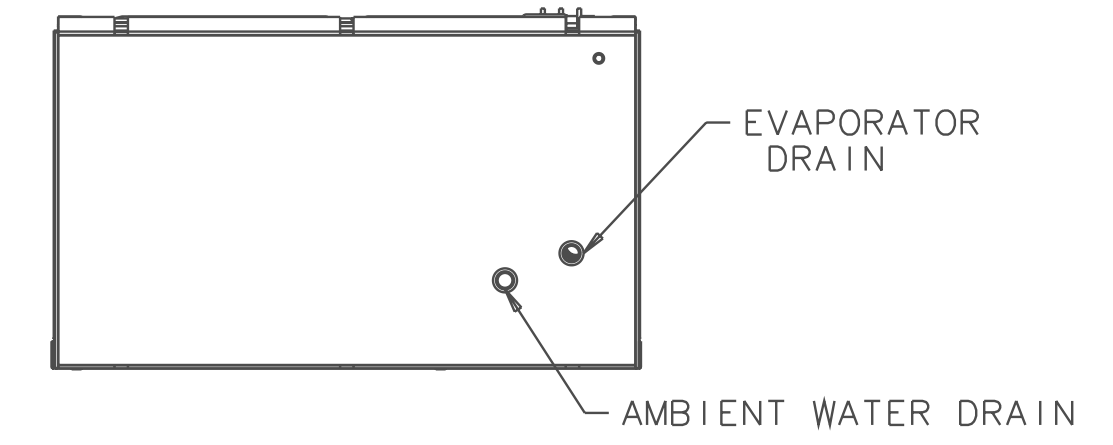
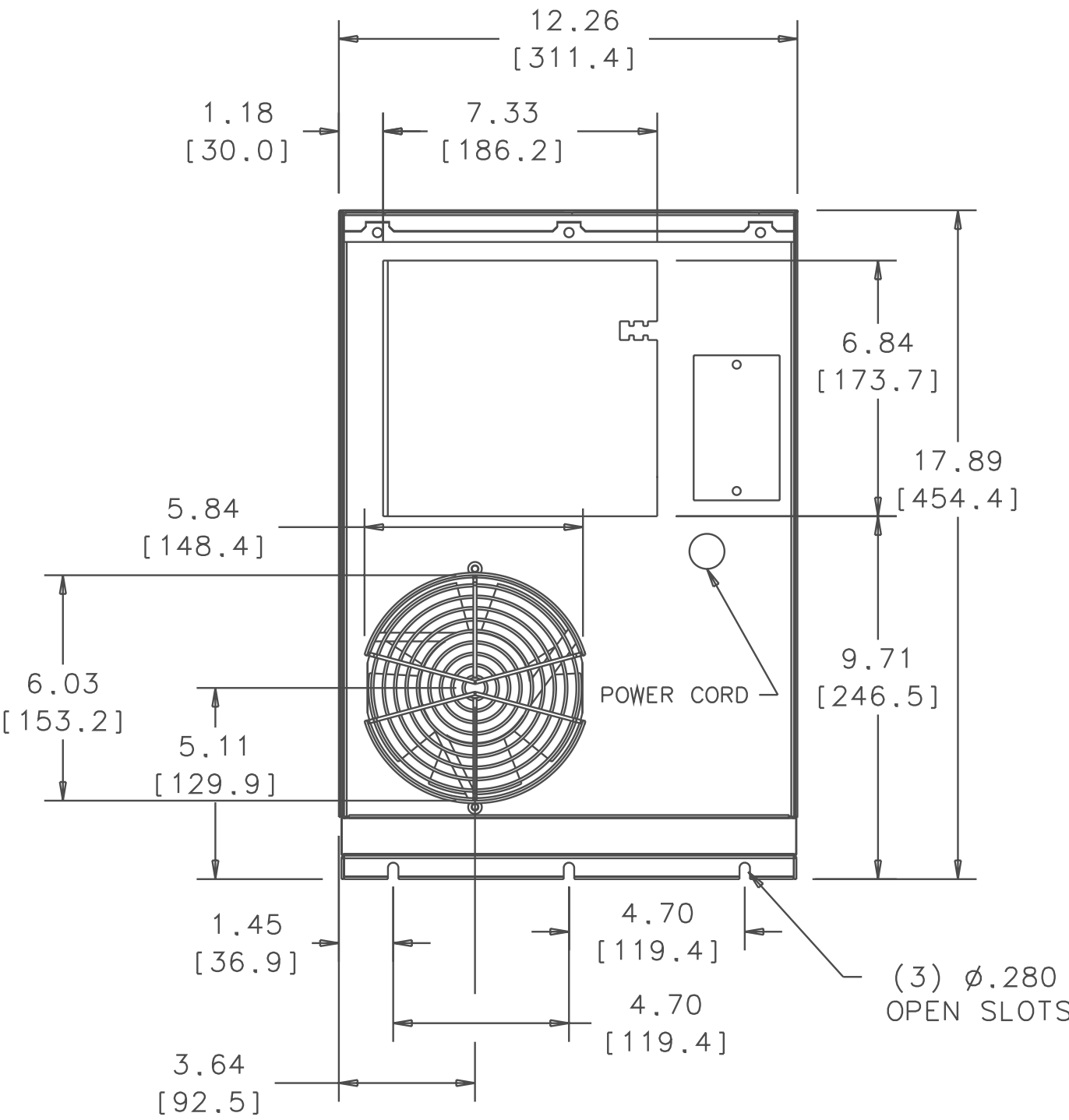
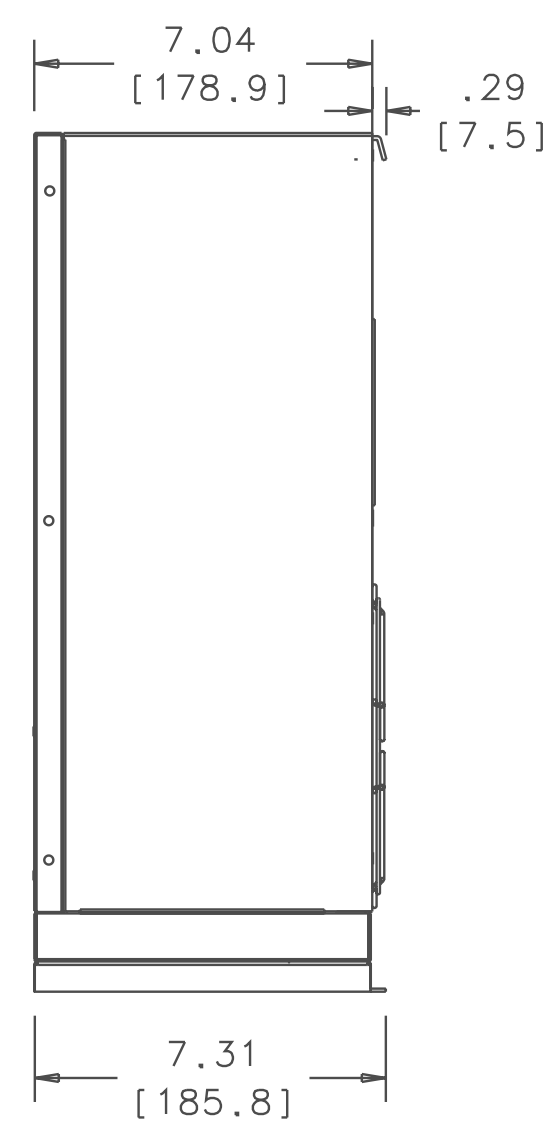
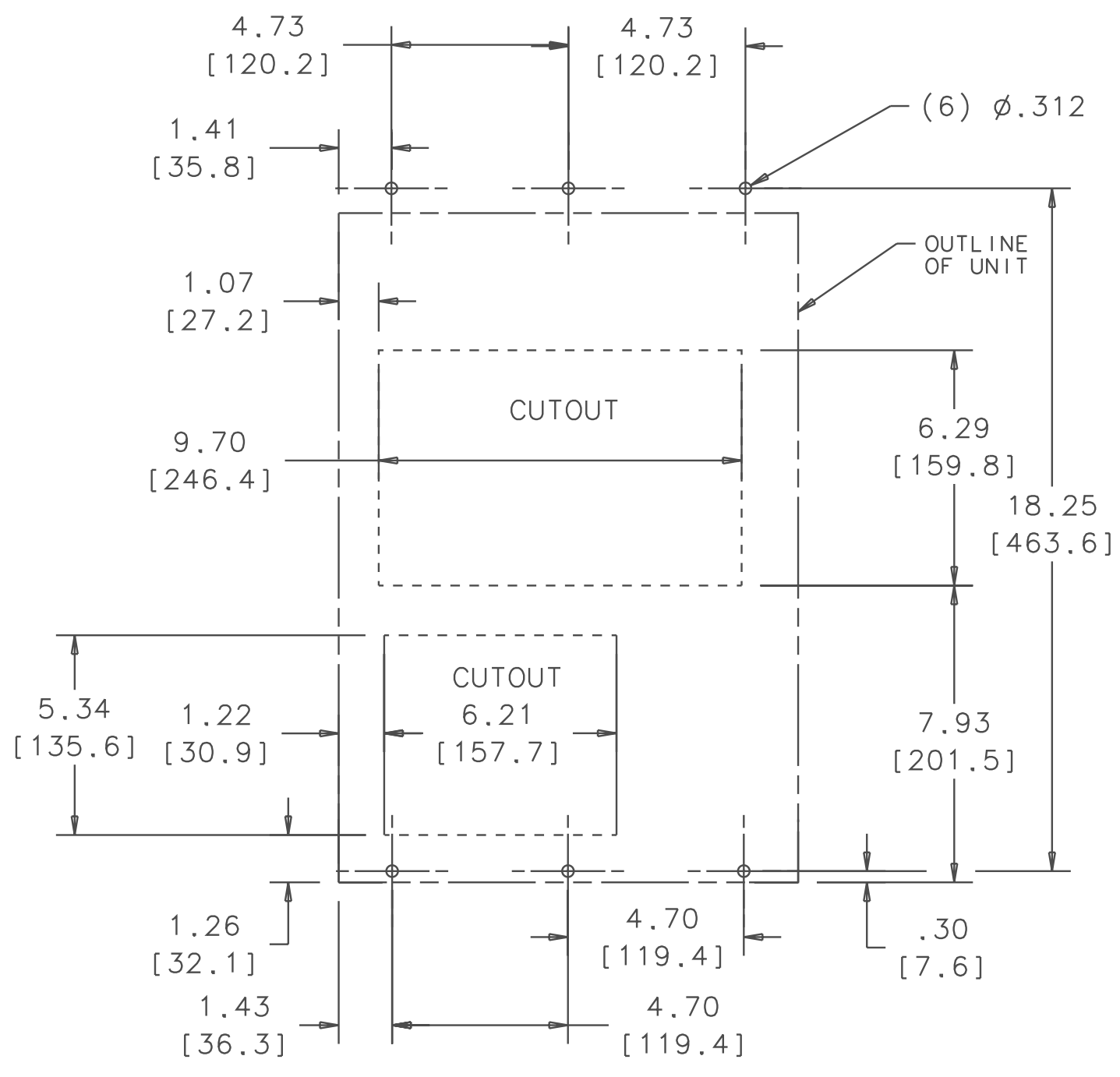


THIS DOCUMENT IS THE PROPERTY OF KOOLTRONIC, INC. AND CONTAINS PROPRIETARY AND CONFIDENTIAL INFORMATION WHICH MUST NOT BE DUPLICATED, USED OR DISCLOSED TO OTHERS, EXCEPT AS EXPRESSLY AUTHORIZED IN WRITING BY KOOLTRONIC, INC.

REVISIONS				
SYM	NOTICE	DESCRIPTION	DATE	APPROVED
-	ER 06/001	NEW DRAWING RELEASE	2/13/06	JS

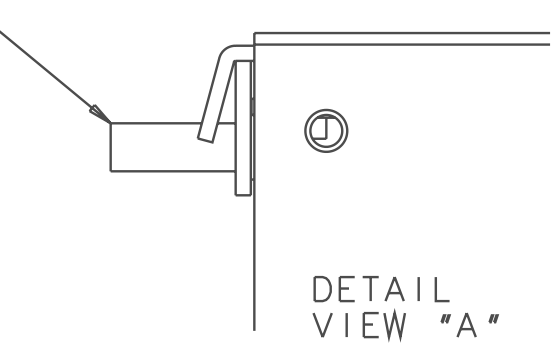
INTERNAL MOUNTING PLAN

NOTE: THIS VIEW IS FROM THE INSIDE OF ENCLOSURE



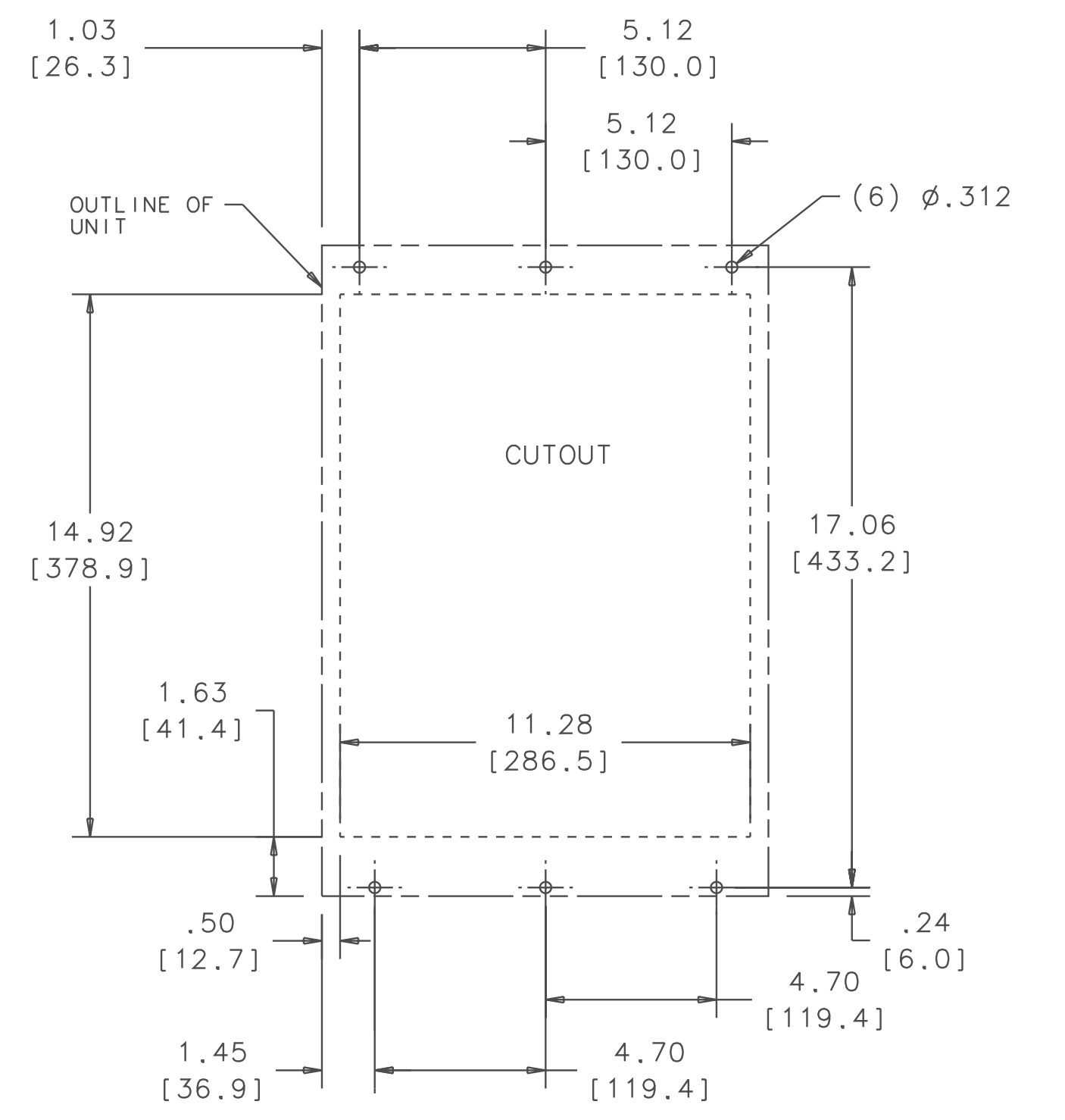
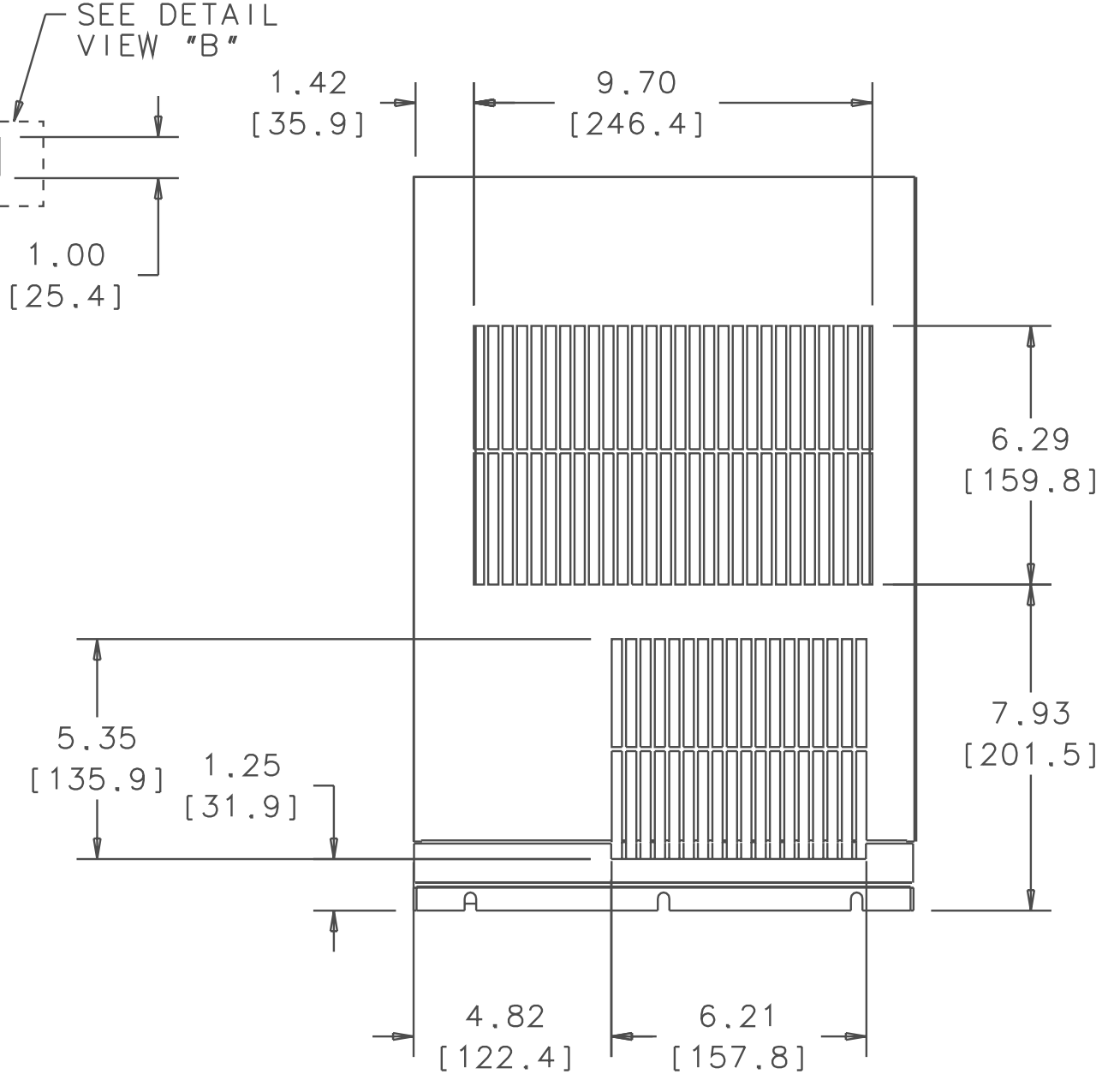
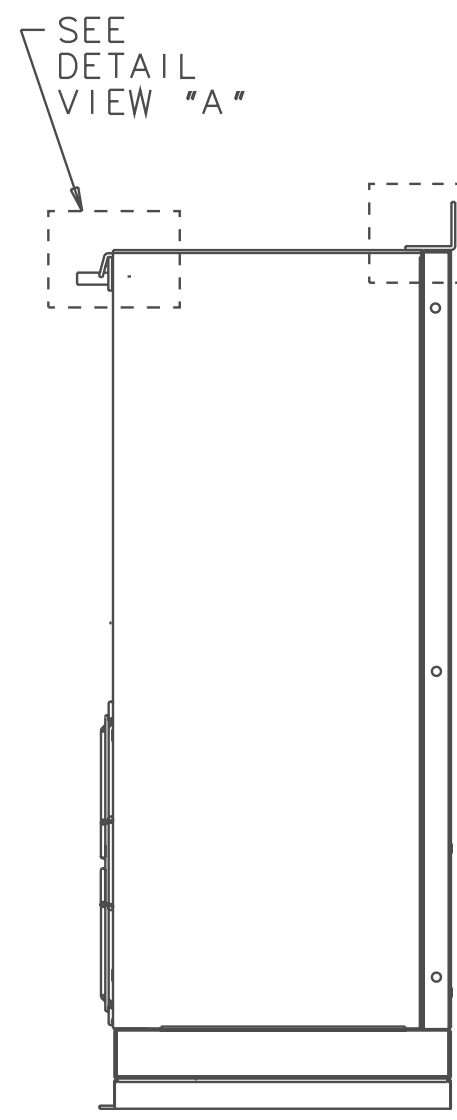
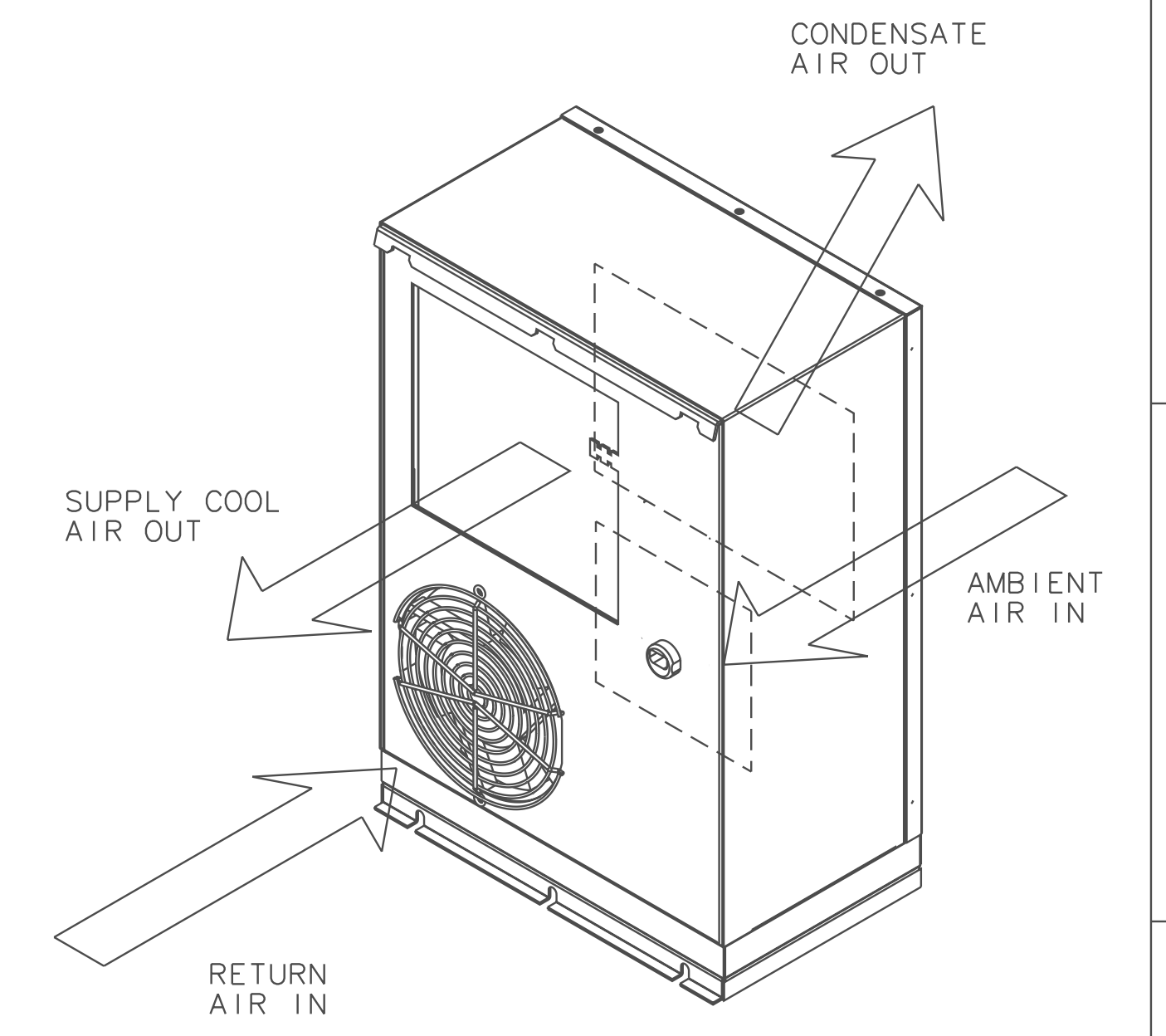
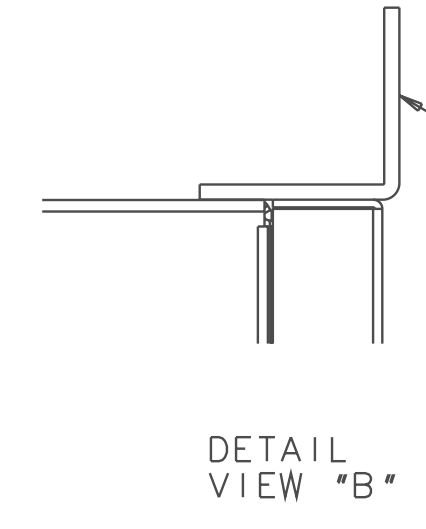
EXTERNAL MOUNT

PIVOT BAR WITH (3) STUDS TO BE MOUNTED ON THE EXTERIOR OF CUSTOMER'S ENCLOSURE



INTERNAL MOUNT

INSTALL BRACKET USING EXISTING HAREWARE ON UNIT



EXTERNAL MOUNTING PLAN

ALL DIMENSIONS ARE IN INCHES. DIMENSIONS DESIGNATED MM ARE IN MILLIMETERS. UNLESS OTHERWISE SPECIFIED TOLERANCES NON-ACCUMULATIVE					
DRAWN JERRY STEDNICK		DATE 1/19/06		TITLE	
CHECKED		ENG. BORIS MUZIKANT		1/20/06	
MATERIAL		MFG. ENG.		GENERAL ARRANGEMENT	
UNIT KA3C2DP17L		APPROVED		CODE IDENT. NO. 06223	SIZE D
				DWG. NO. GA26000A	REV -
				SCALE .25=1	CAD. REF. SHEET 1 OF 1