

THIS DOCUMENT IS THE PROPERTY OF KOOLTRONIC, INC. AND CONTAINS PROPRIETARY AND CONFIDENTIAL INFORMATION WHICH MUST NOT BE DUPLICATED, USED OR DISCLOSED TO OTHERS, EXCEPT AS EXPRESSLY AUTHORIZED IN WRITING BY KOOLTRONIC, INC.

REVISIONS				
SYM	NOTICE	DESCRIPTION	DATE	APPROVED
-	ER 05/157	NEW DRAWING RELEASE	2/16/06	RDM
A	EC 07/272	PICTORIAL UPDATE & REVISE DIMENSIONS.	6/21/07	DW-
B	EC 07/309	ADD & DELETE (1) DIM TO MTG PLAN	7/13/07	DW-

A

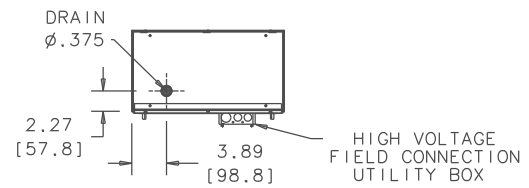
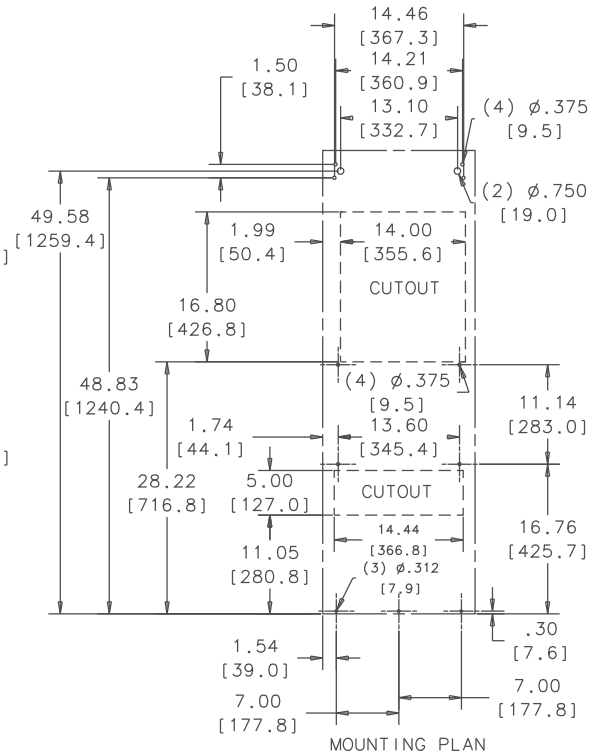
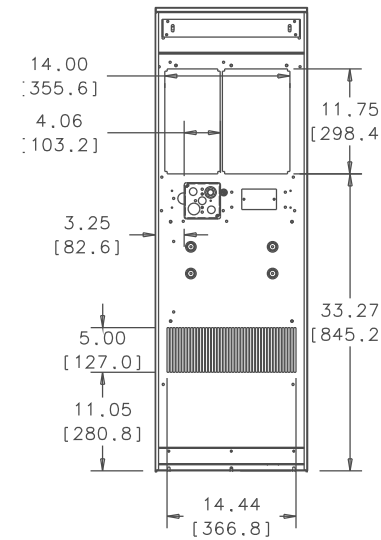
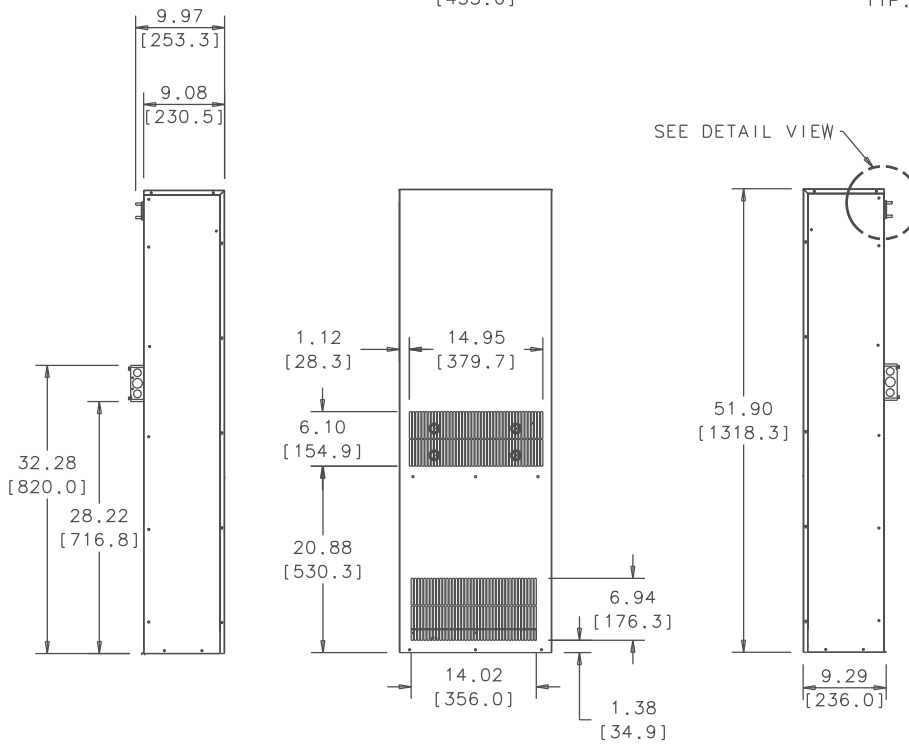
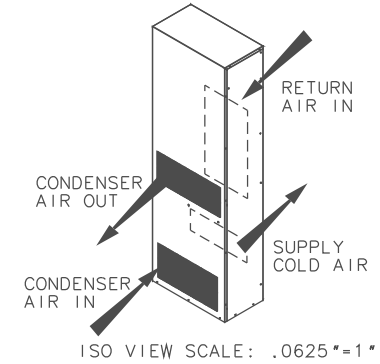
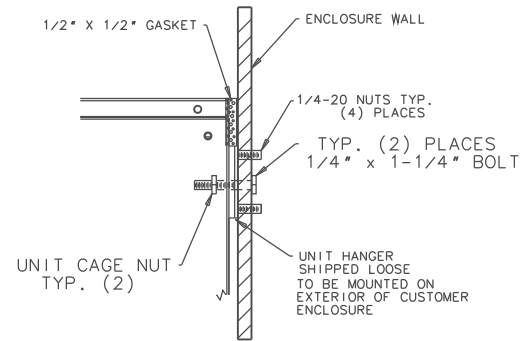
B

C

D

E

F



ALL DIMENSIONS ARE IN INCHES. DIMENSIONS DESIGNATED MM ARE IN MILLIMETERS.			DRAWN R.D. MOORE DATE 2/16/06		
UNLESS OTHERWISE SPECIFIED TOLERANCES NON-ACCUMULATIVE			CHECKED MEM DATE 6/15/06	TITLE	
TOL. ON	INCHES	MM	ENG. JTM DATE 7/14/06	GENERAL ASSEMBLY AIR CONDITIONER	
.XX	± .02	±	MFG. ENG.	CODE IDENT. NO. 06223	SIZE C
.XXX	± .010	±		DRG. NO. GA261000A	REV B
ANGULAR	± 1/2°			SCALE .093=1	SHEET 1 OF 1
MATERIAL			APPROVED B KREELEY DATE 8/22/06	CAD. REF.	
UNIT K3A4C9DP52L					