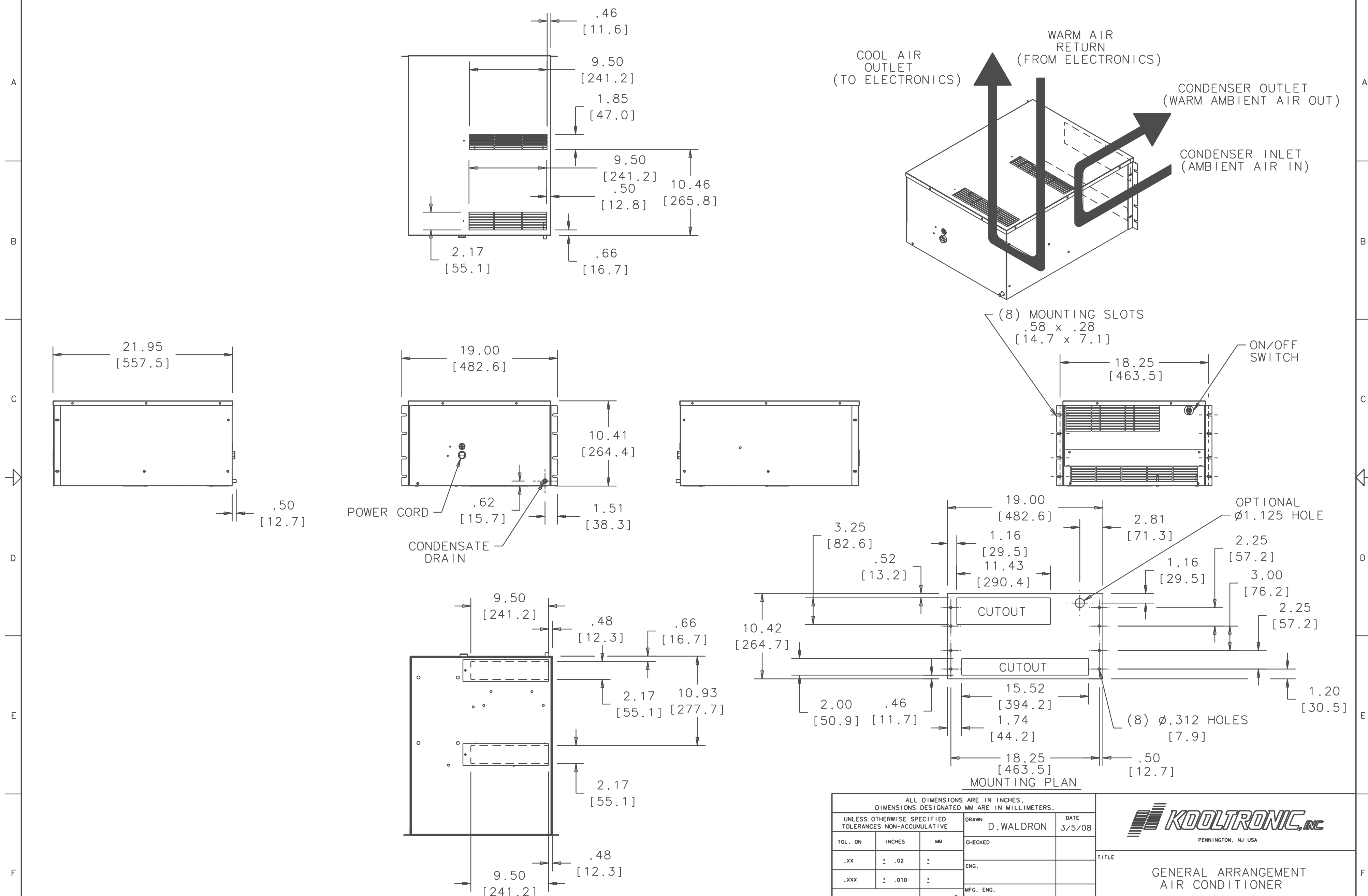


THIS DOCUMENT IS THE PROPERTY OF KOOLTRONIC, INC. AND CONTAINS PROPRIETARY AND CONFIDENTIAL INFORMATION WHICH MUST NOT BE DUPLICATED, USED OR DISCLOSED TO OTHERS, EXCEPT AS EXPRESSLY AUTHORIZED IN WRITING BY KOOLTRONIC, INC.

REVISIONS				
SYM	NOTICE	DESCRIPTION	DATE	APPROVED
-	ER 08/007	NEW DRAWING RELEASE.	3/5/08	DW-



UNLESS OTHERWISE SPECIFIED TOLERANCES NON-ACCUMULATIVE				DRAWN D. WALDRON DATE 3/5/08				KOOLOTRONIC, INC. PENNINGTON, NJ USA			
TOL. ON	INCHES	MM	CHECKED	ENG.	MFG. ENG.	TITLE	CODE IDENT. NO.	SIZE	DWG. NO.	REV	
.XX	± .02	±				GENERAL ARRANGEMENT AIR CONDITIONER	06223	C	GA26800A	-	
.XXX	± .010	±				SCALE: 1/25" = 1"	CAD. REF.			SHEET 1 OF 1	
ANGULAR	± 1/2°										
MATERIAL	SEE BOM			APPROVED							
UNIT	KA4C5RML										