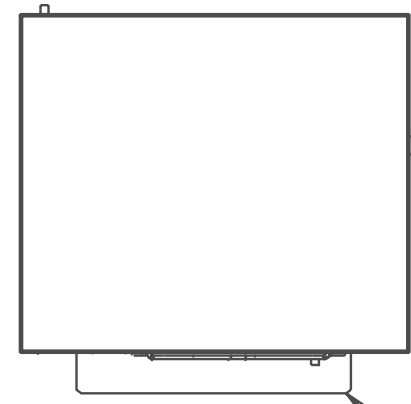


THIS DOCUMENT IS THE PROPERTY OF KOOLTRONIC, INC. AND CONTAINS PROPRIETARY AND CONFIDENTIAL INFORMATION WHICH MUST NOT BE DUPLICATED, USED OR DISCLOSED TO OTHERS, EXCEPT AS EXPRESSLY AUTHORIZED IN WRITING BY KOOLTRONIC, INC.

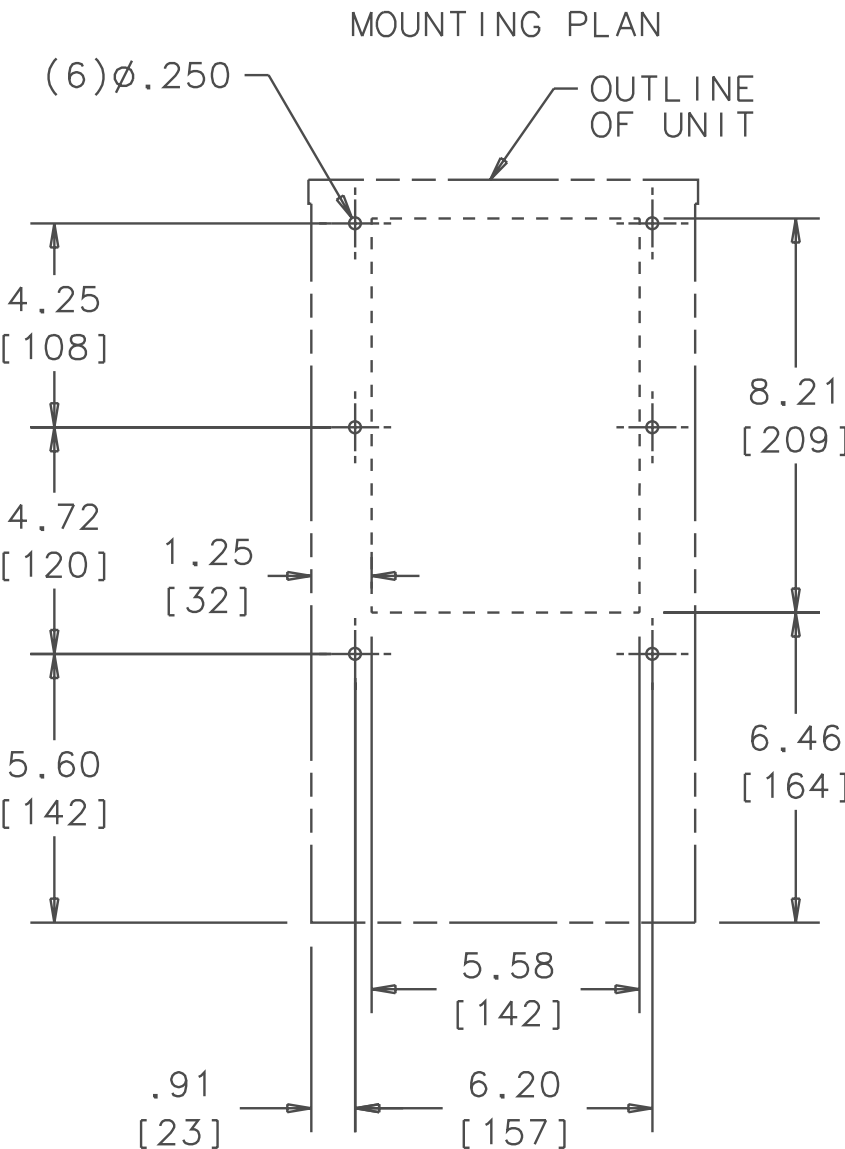
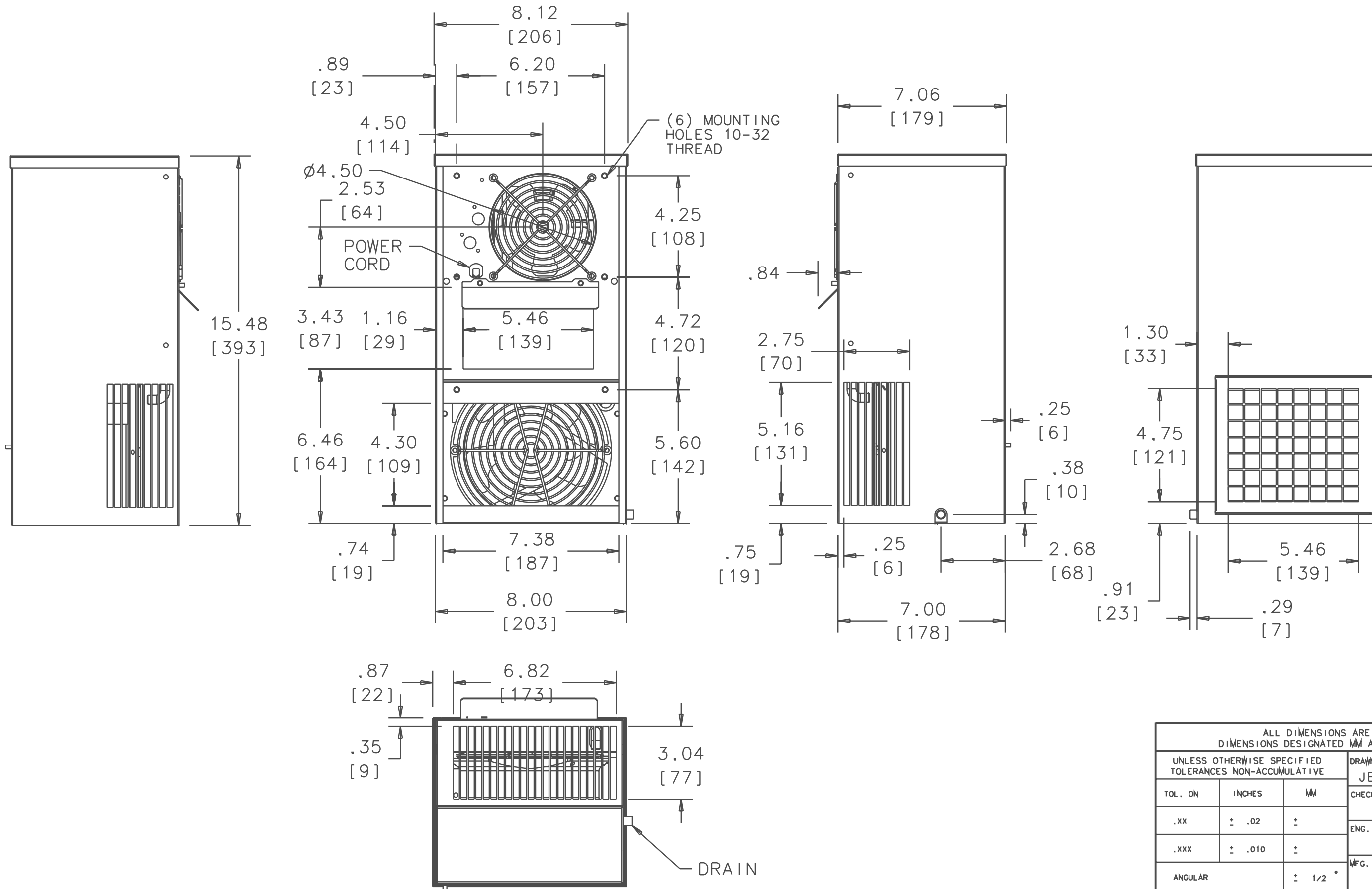
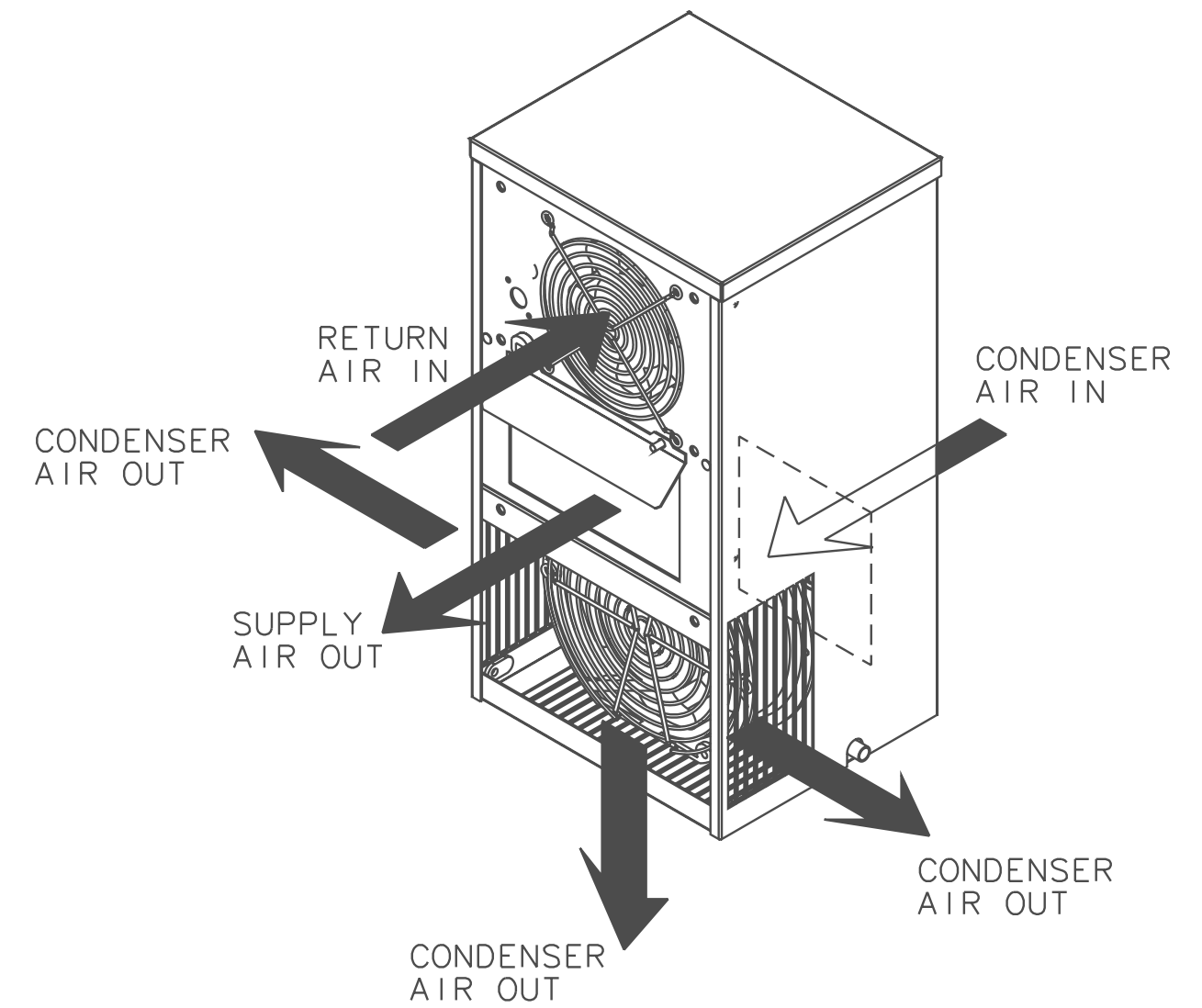
REVISIONS				
SYM	NOTICE	DESCRIPTION	DATE	APPROVED
-	ER 08/040	NEW DRAWING RELEASE	7/3/08	JS

A
B
C
D
E
F

A
B
C
D
E
F



AIR FLOW DEFLECTOR (NOT REQUIRED)
OPTIONAL FOR CUSTOMER.
INSTALL ONTO THE TWO PROVIDED STUDS.
FASTEN WITH #8 KEP NUTS



ALL DIMENSIONS ARE IN INCHES. DIMENSIONS DESIGNATED MM ARE IN MILLIMETERS.			 PENNINGTON, NJ USA	
UNLESS OTHERWISE SPECIFIED TOLERANCES NON-ACCUMULATIVE			DRAWN JERRY STEDNICK	DATE 6/23/08
TOL. ON	INCHES	MM	CHECKED	
.XX	± .02	±	ENG.	
.XXX	± .010	±	MFG. ENG.	
ANGULAR	± 1/2°			
MATERIAL				
UNIT KNA4C1DP15L			APPROVED	
CODE IDENT. NO.		SIZE	DWG. NO.	REV
06223		C	GA27100A	-
SCALE .25=1		CAD. REF.	SHEET 1 OF 1	

GENERAL ARRANGEMENT