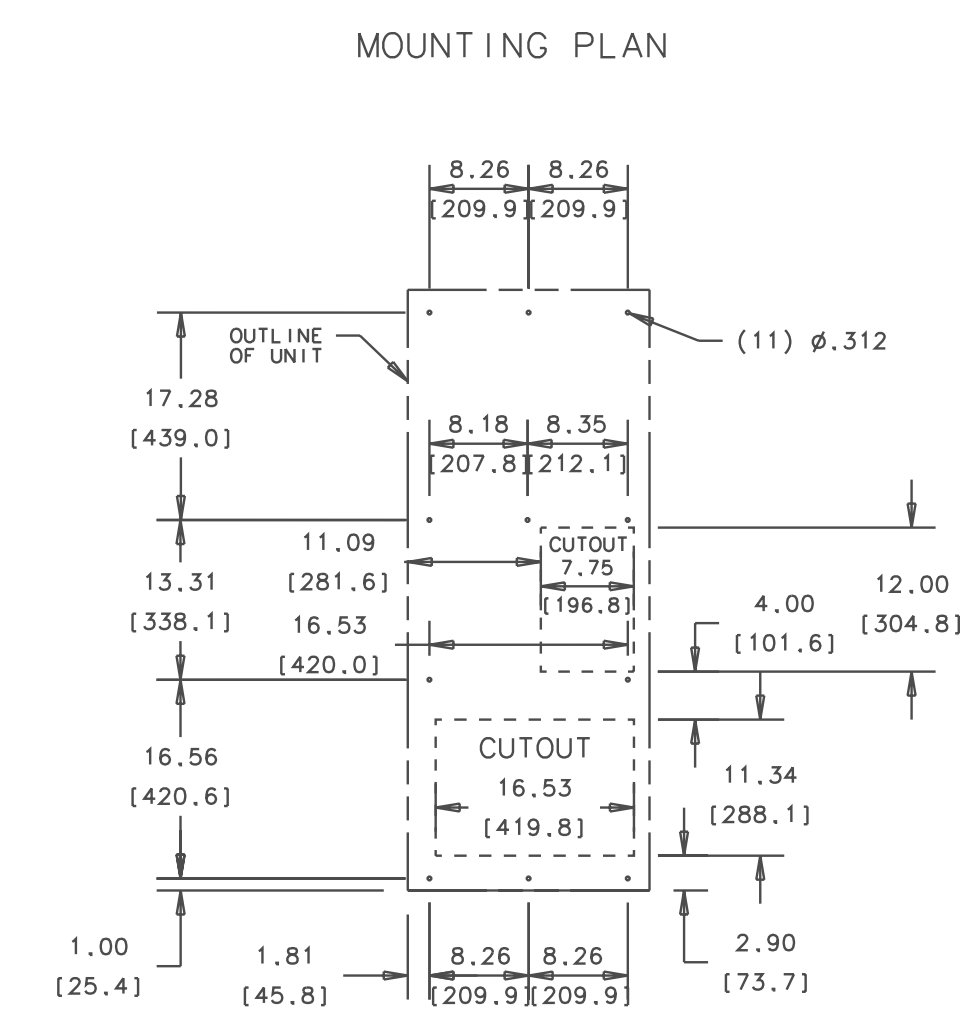
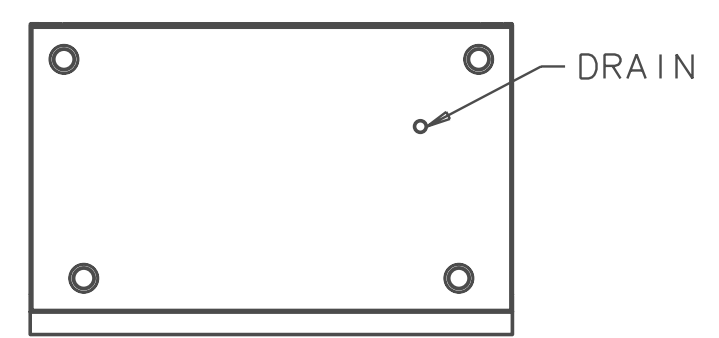
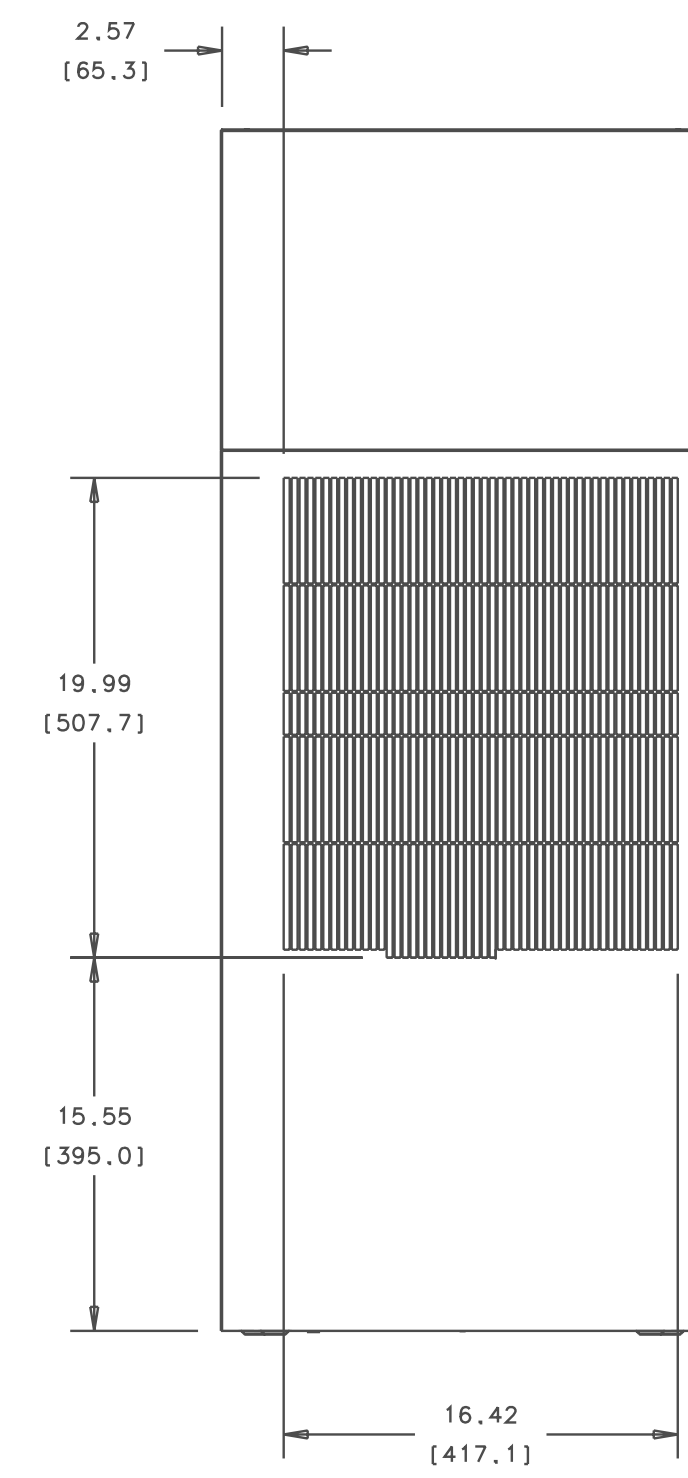
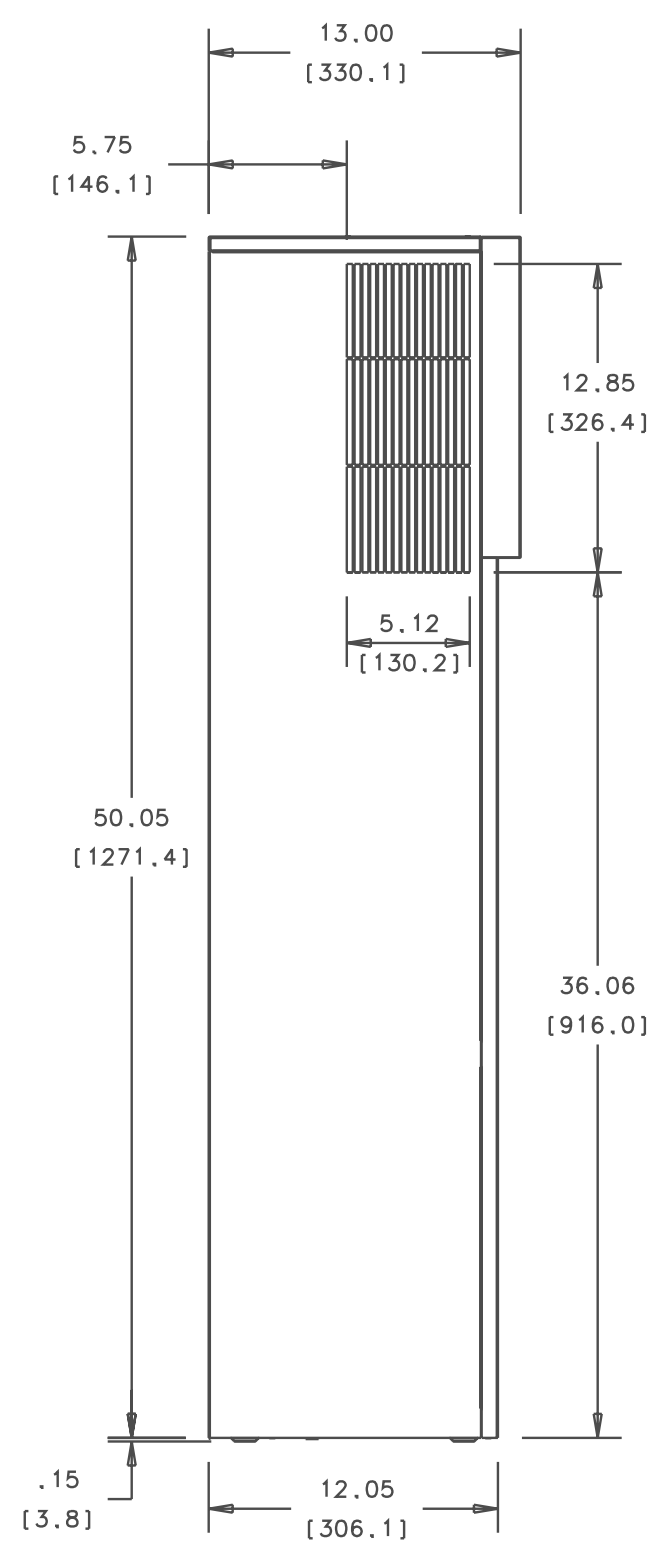
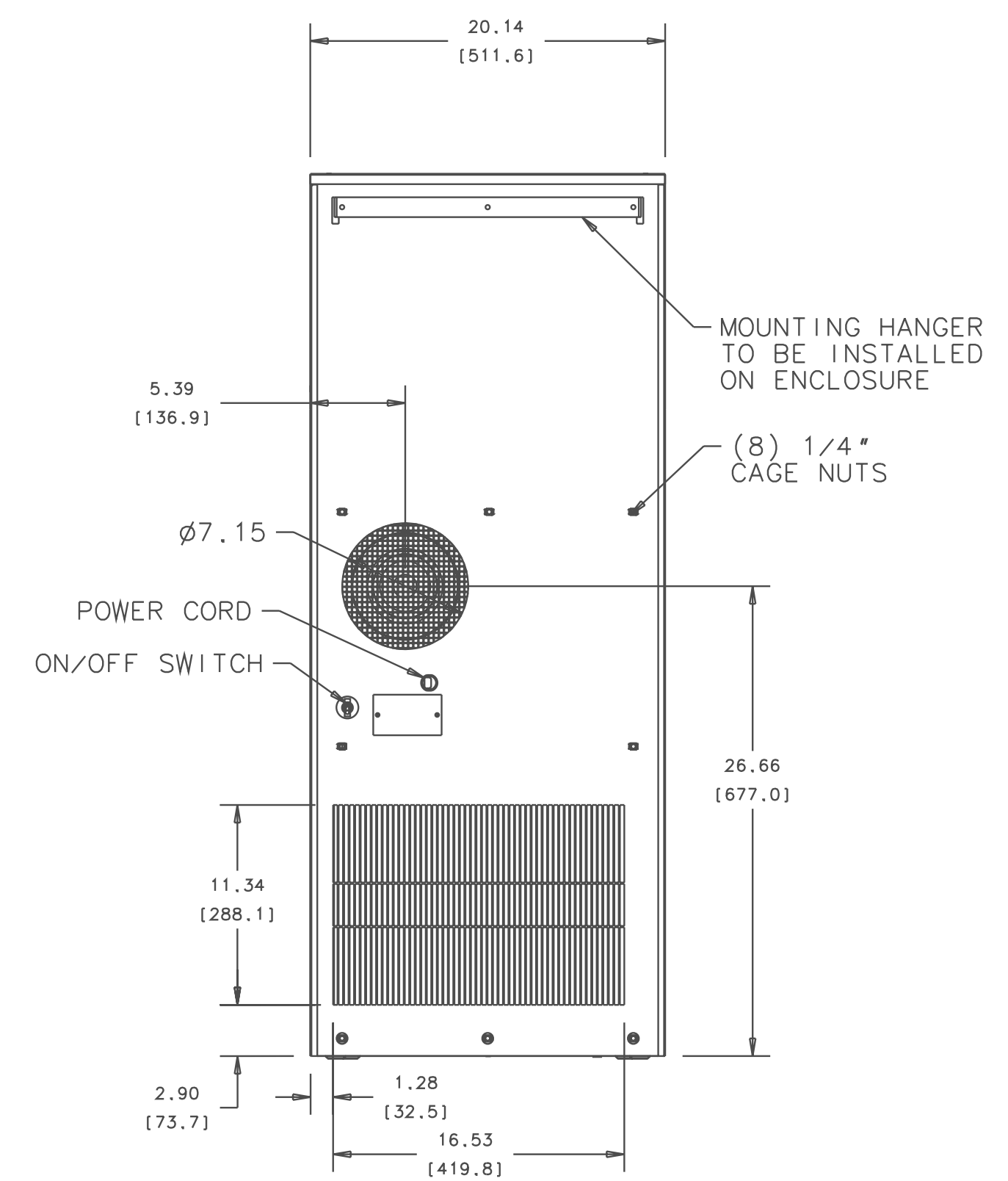
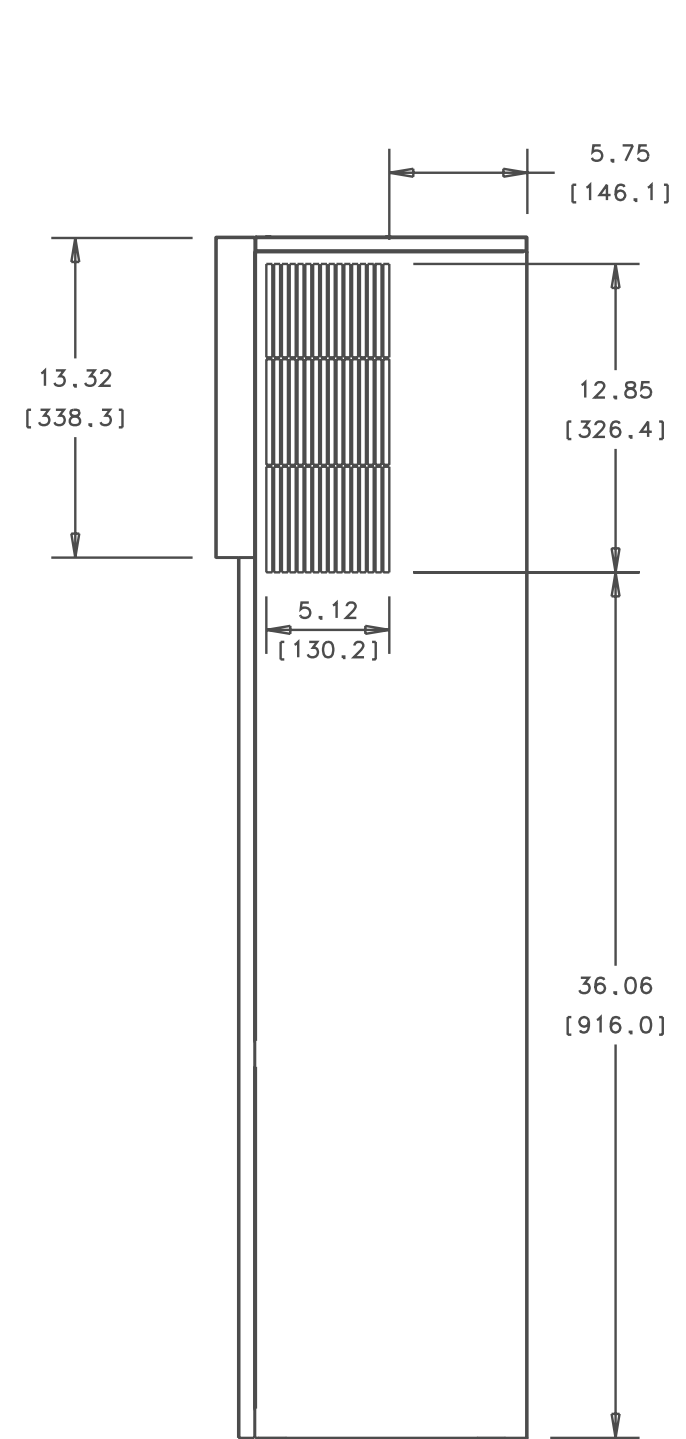
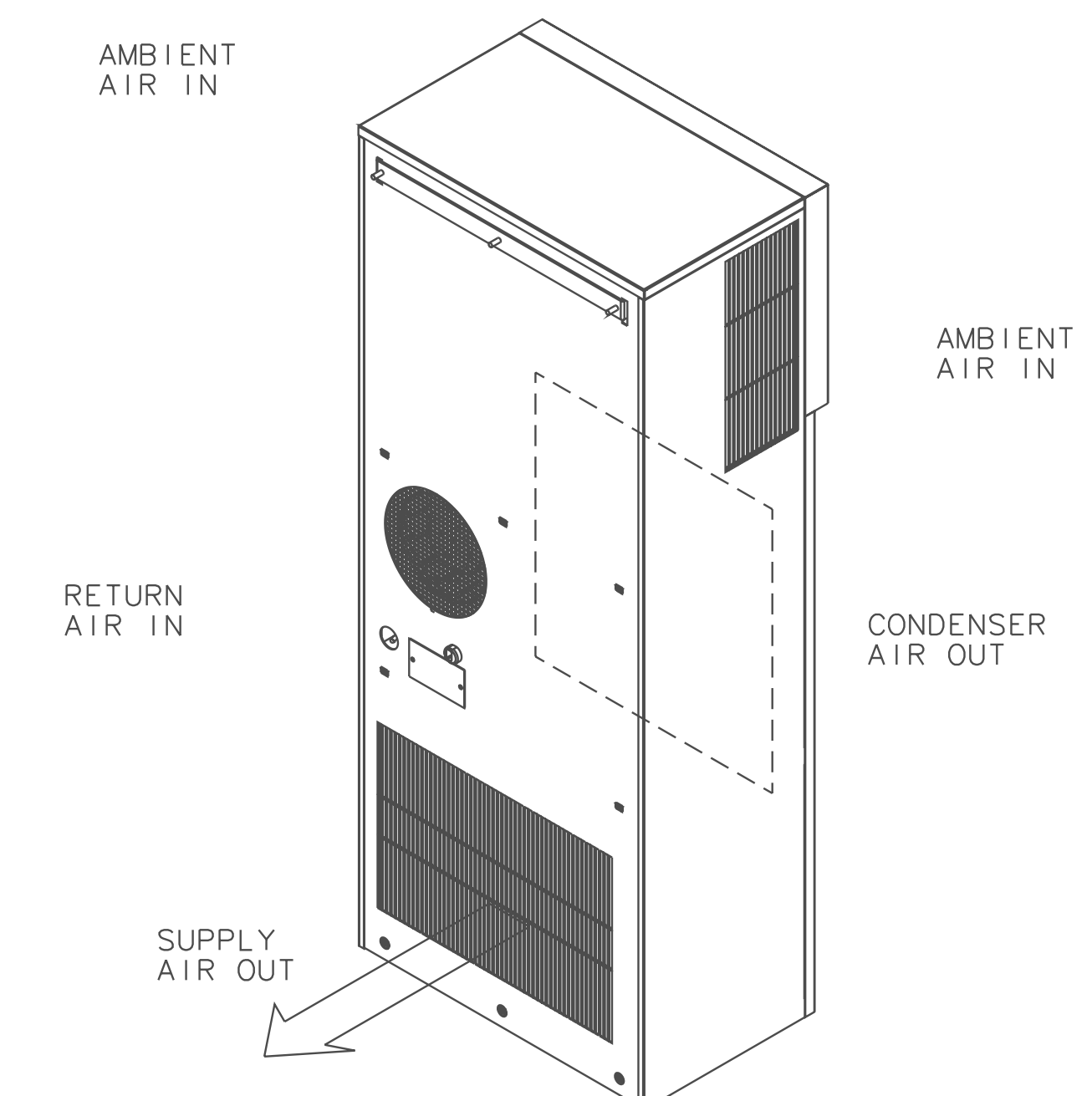
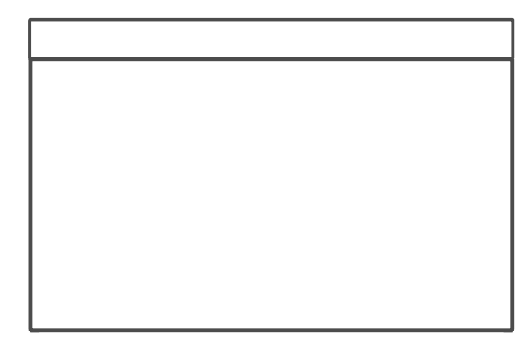


THIS DOCUMENT IS THE PROPERTY OF KOOLTRONIC, INC. AND CONTAINS PROPRIETARY AND CONFIDENTIAL INFORMATION WHICH MUST NOT BE DUPLICATED, USED OR DISCLOSED TO OTHERS, EXCEPT AS EXPRESSLY AUTHORIZED IN WRITING BY KOOLTRONIC, INC.

REVISIONS				
SYM	NOTICE	DESCRIPTION	DATE	APPROVED
-	ER 08/075	NEW DRAWING RELEASE	12/5/08	JS



SCALE .0625=1

P/N GA27200A

ALL DIMENSIONS ARE IN INCHES. DIMENSIONS DESIGNATED MM ARE IN MILLIMETERS. UNLESS OTHERWISE SPECIFIED TOLERANCES NON-ACCUMULATIVE		DRAWN JERRY STEDNICK		DATE 12/5/08		 PENNINGTON, NJ USA	
TOL. ON INCHES MM		CHECKED					
.xx ± .02 ±		ENG.				TITLE GENERAL ARRANGEMENT	
.xxx ± .010 ±		MFG. ENG.					
ANGULAR ± 1/2 °							
MATERIAL		APPROVED		CODE IDENT. NO. 06223		SIZE D	
UNIT K2_A_C14DP50L				DWG. NO. GA27200A		REV -	
				SCALE 1:25=1		SHEET 1 OF 1	