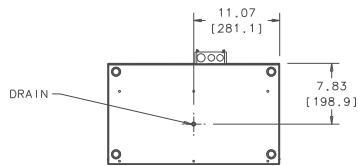
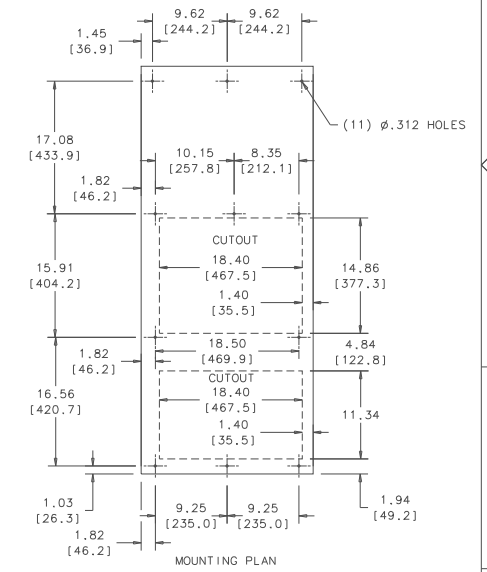
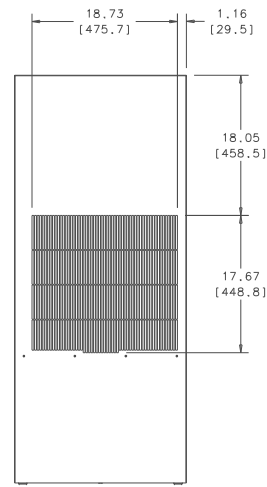
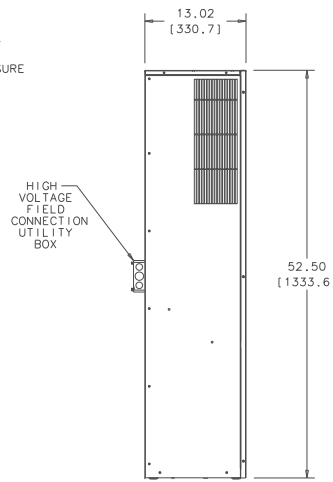
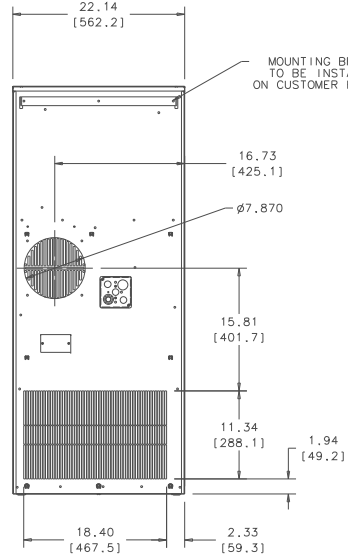
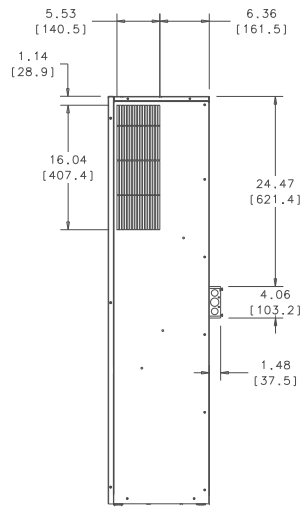
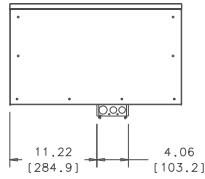
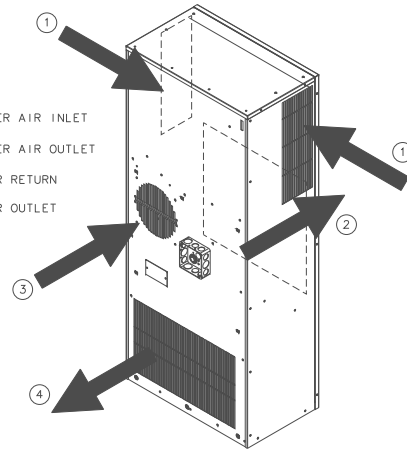


THIS DOCUMENT IS THE PROPERTY OF KOOLTRONIC, INC. AND CONTAINS PROPRIETARY AND CONFIDENTIAL INFORMATION WHICH MUST NOT BE DUPLICATED, USED OR DISCLOSED TO OTHERS, EXCEPT AS EXPRESSLY AUTHORIZED IN WRITING BY KOOLTRONIC, INC.

REVISIONS				
S/N	NOTICE	DESCRIPTION	DATE	APPROVED
-	ER 11/016	NEW DRAWING RELEASE	3/24/11	JS

- ① CONDENSER AIR INLET
- ② CONDENSER AIR OUTLET
- ③ WARM AIR RETURN
- ④ COOL AIR OUTLET



GA27301A

ALL DIMENSIONS ARE IN INCHES, DIMENSIONS DESIGNATED "M" ARE IN MILLIMETERS.				DRAWN		DATE	
UNLESS OTHERWISE SPECIFIED TOLERANCES NON-DECIMALATIVE.				D. WALDRON		1/19/11	
TOL. ON	INCHES	M	CHECKED	Steve Schmierer 1/21/11			
.XX	± .02		ENG.	Jim Disler 1/21/11			
.XXX	± .010		MFG. ENG.				
ANGULAR	± 1/2 °						
MATERIAL	SEE BOM						
UNIT	K3NA6C18DP53L		APPROVED	Bruce Kreeley 4/20/11		SCALE	1/25=1:1
				CODE IDENT. NO.	DWG. NO.	REV	
				06223	D	GA27301A	-
				CAD. REF.	SHEET 1 OF 1		



GENERAL ARRANGEMENT  
K3NA6C18DP53L