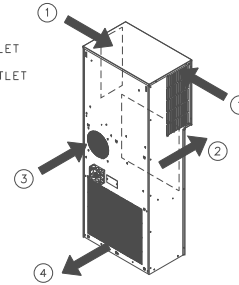


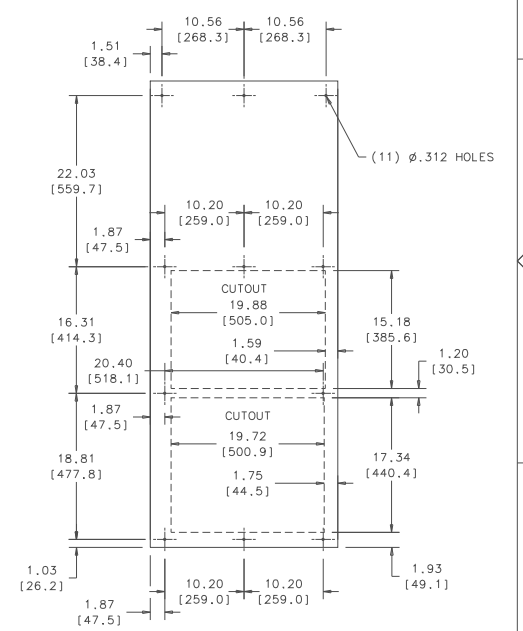
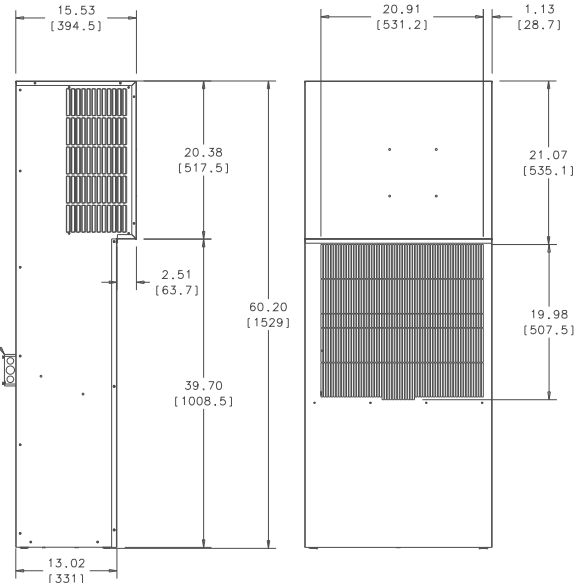
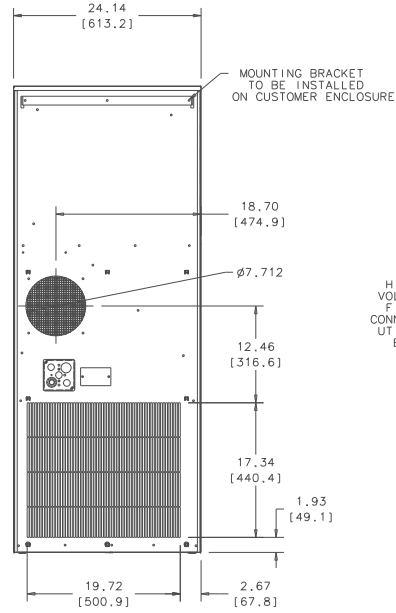
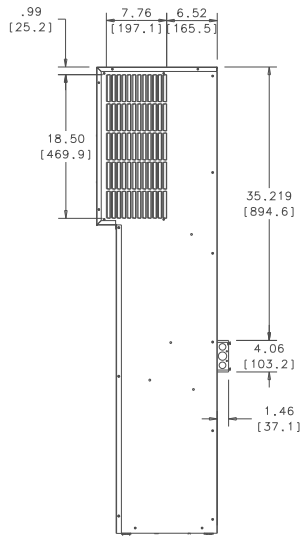
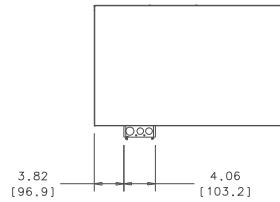
THIS DOCUMENT IS THE PROPERTY OF KOOLTRONIC, INC. AND CONTAINS PROPRIETARY AND CONFIDENTIAL INFORMATION WHICH MUST NOT BE DUPLICATED, USED OR DISCLOSED TO OTHERS, EXCEPT AS EXPRESSLY AUTHORIZED IN WRITING BY KOOLTRONIC, INC.

| REVISIONS | | DATE | APPROVED |
|-----------|-----------|---------------------|------------|
| REV | NOTICE | DESCRIPTION | |
| - | ER 11/018 | NEW DRAWING RELEASE | 2/29/11 JS |

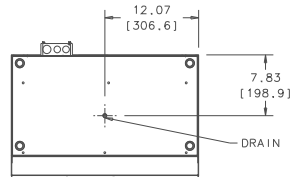
- ① CONDENSER AIR INLET
- ② CONDENSER AIR OUTLET
- ③ WARM AIR RETURN
- ④ COOL AIR OUTLET



ISO VIEW SCALE: .0625"=1"



MOUNTING PLAN



GA27401A

| ALL DIMENSIONS ARE IN INCHES. DIMENSIONS DESIGNATED IN MILLIMETERS, UNLESS OTHERWISE SPECIFIED. TOLERANCES NON-DECIMALATIVE. | | | | DRAWN: D. WALDRON 1/20/11 | | DATE: 1/20/11 | |
|--|---------------|-------------|-----------------|---------------------------|---------------------|---------------|--------------|
| TOL. ON | INCHES | MILLIMETERS | CHECKED | DATE | TITLE | | |
| .XX | ± .02 | ± | Steve Schriener | 1/21/11 | GENERAL ARRANGEMENT | | |
| .XXX | ± .010 | ± | Jim Disler | 1/21/11 | K3NA6C26DP60L | | |
| ANGULAR | ± 1/2 ° | | MFG. ENG. | | | | |
| MATERIAL | SEE BOM | | | | CODE IDENT. NO. | DWG. NO. | REV. |
| UNIT | K3NA6C26DP60L | | APPROVED | 4/20/11 | 06223 | D GA27401A | - |
| | | | Bruce Kreeley | | SCALE | CAD. REF. | SHEET 1 OF 1 |



PENNSYLVANIA, PA USA