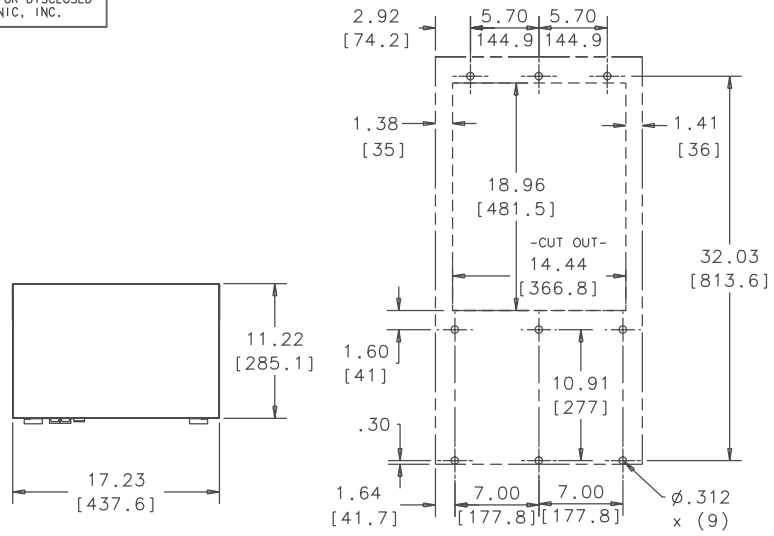


THIS DOCUMENT IS THE PROPERTY OF KOOLTRONIC, INC. AND CONTAINS PROPRIETARY AND CONFIDENTIAL INFORMATION WHICH MUST NOT BE DUPLICATED, USED OR DISCLOSED TO OTHERS, EXCEPT AS EXPRESSLY AUTHORIZED IN WRITING BY KOOLTRONIC, INC.

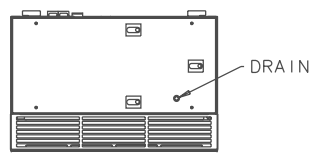
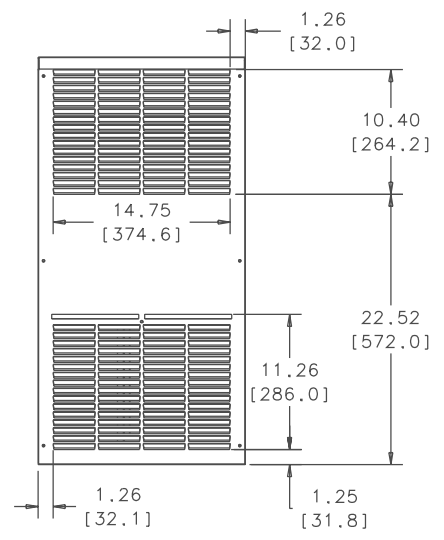
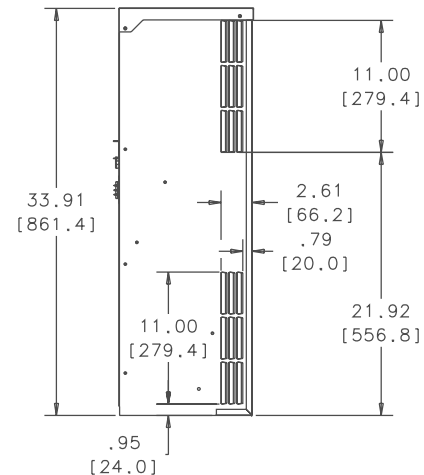
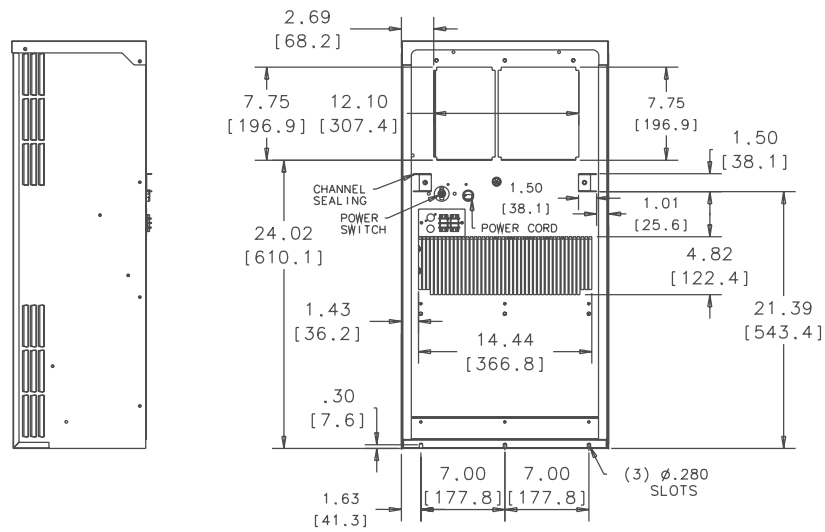
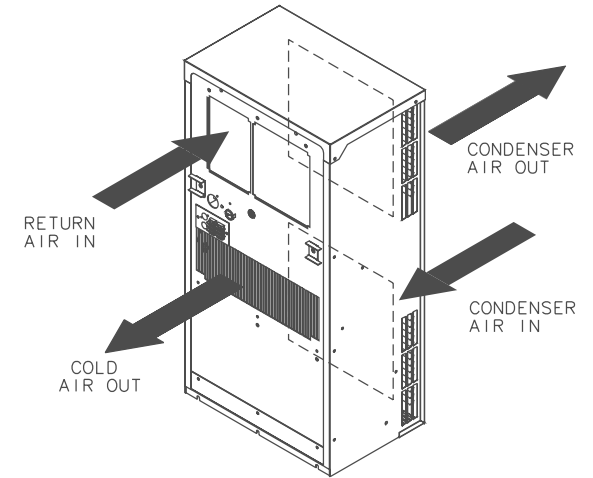
REVISIONS				
SYM	NOTICE	DESCRIPTION	DATE	APPROVED
-	ER 07/023	NEW DRAWING RELEASE	5/7/07	RDM/JS

A
B
C
D
E
F

A
B
C
D
E
F



EXTERNAL MOUNTING PLAN



ALL DIMENSIONS ARE IN INCHES. DIMENSIONS DESIGNATED MM ARE IN MILLIMETERS.				DRAWN		DATE			
UNLESS OTHERWISE SPECIFIED TOLERANCES NON-ACCUMULATIVE				R. D. MOORE		5/7/07		TITLE	
TOL. ON	INCHES	MM		CHECKED	JERRY STEDNICK	6/6/07		GENERAL ARRANGEMENT	
.XX	± .02	±		ENG.	BORIS M.	6/13/07			
.XXX	± .010	±		MFG. ENG.					
ANGULAR			± 1/2°						
MATERIAL				CODE IDENT. NO.	06223	SIZE	C	DRG. NO.	GA280001A
UNIT	K_NA4C5DP33L			APPROVED			SCALE	.125=1	CAD. REF.
							SHEET	1	OF 1

1 2 3 4 5 6 7 8