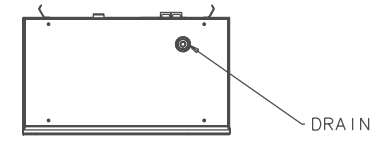
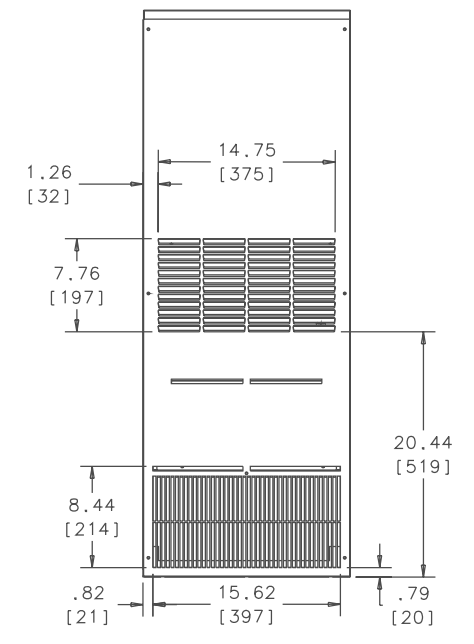
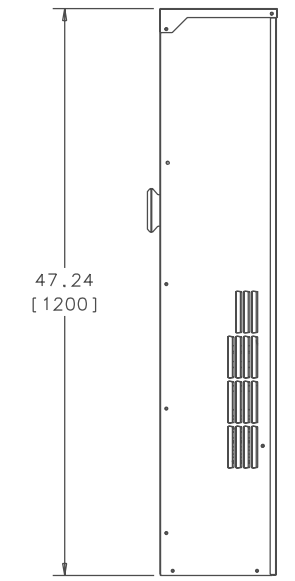
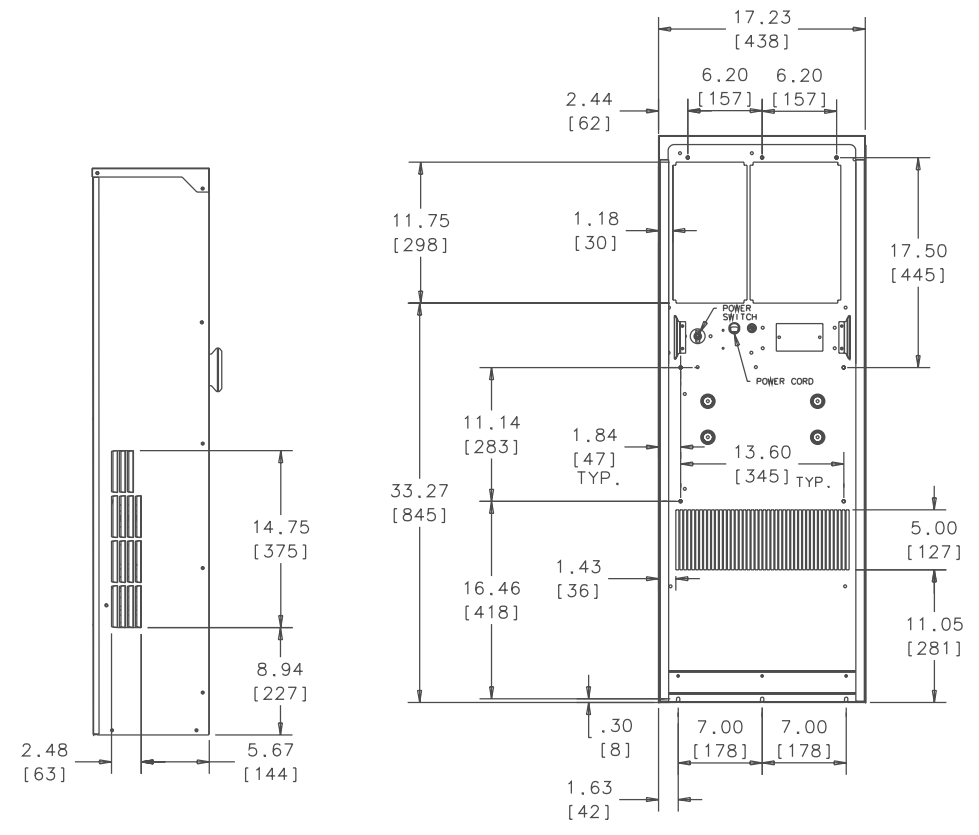
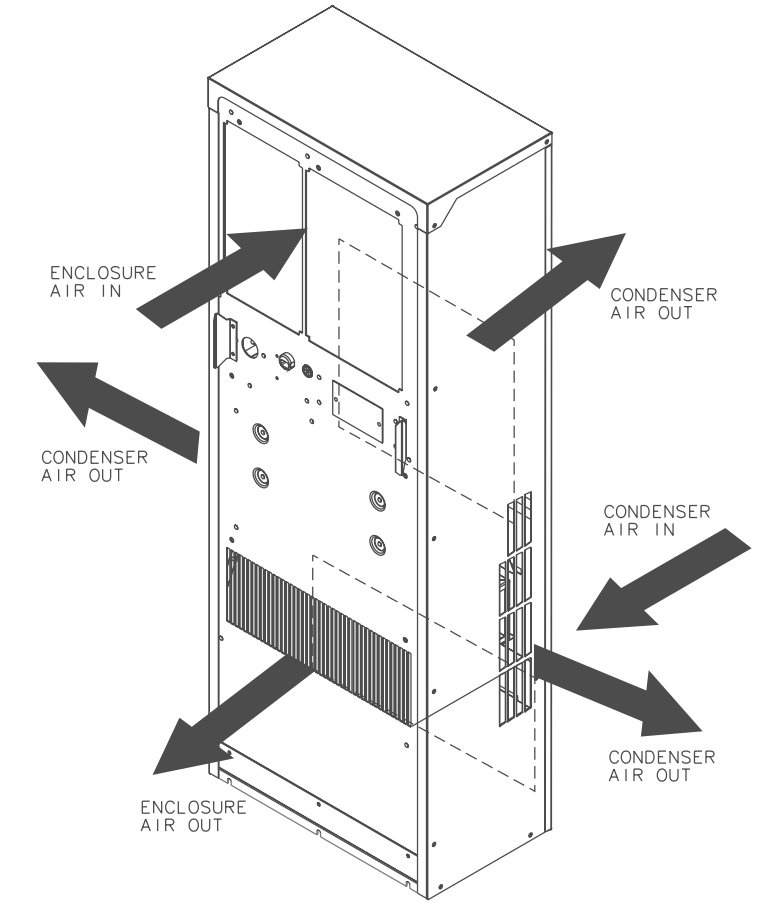
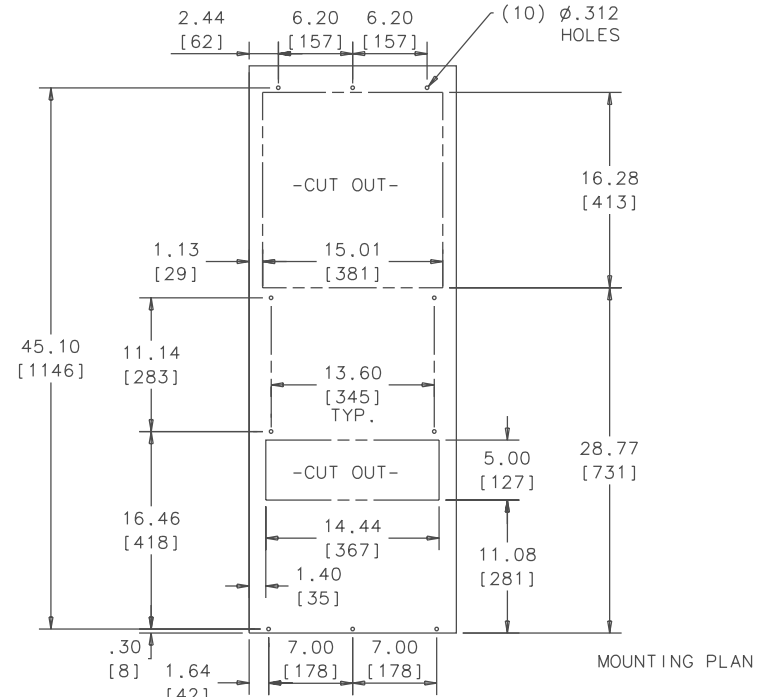
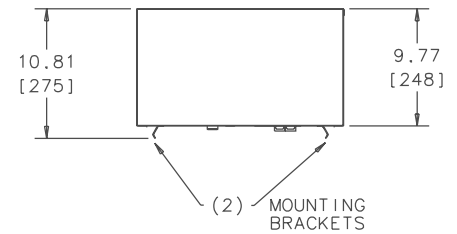


THIS DOCUMENT IS THE PROPERTY OF KOOLTRONIC, INC. AND CONTAINS PROPRIETARY AND CONFIDENTIAL INFORMATION WHICH MUST NOT BE DUPLICATED, USED OR DISCLOSED TO OTHERS, EXCEPT AS EXPRESSLY AUTHORIZED IN WRITING BY KOOLTRONIC, INC.

REVISIONS					
SYM	NOTICE	DESCRIPTION	DATE	APPROVED	
-	ER 07/052	NEW DRAWING RELEASE	7/9/07	RDM	



ALL DIMENSIONS ARE IN INCHES. DIMENSIONS DESIGNATED MM ARE IN MILLIMETERS. UNLESS OTHERWISE SPECIFIED TOLERANCES NON-ACCUMULATIVE				DRAWN R. D. MOORE DATE 7/9/07		
TOL. ON	INCHES	MM	CHECKED	ENG. BM	DATE 7/10/07	
.xx	± .02	±		MFG. ENG.		TITLE GENERAL ARRANGEMENT K_A4C9DP47L
.xxx	± .010	±				
ANGULAR	± 1/2 °					
MATERIAL						CODE IDENT. NO. 06223 SIZE D DWG. NO. GA290001A REV -
UNIT K_NA4C9DP47L	APPROVED					SCALE 1/8=1 SHEET 1 OF 1