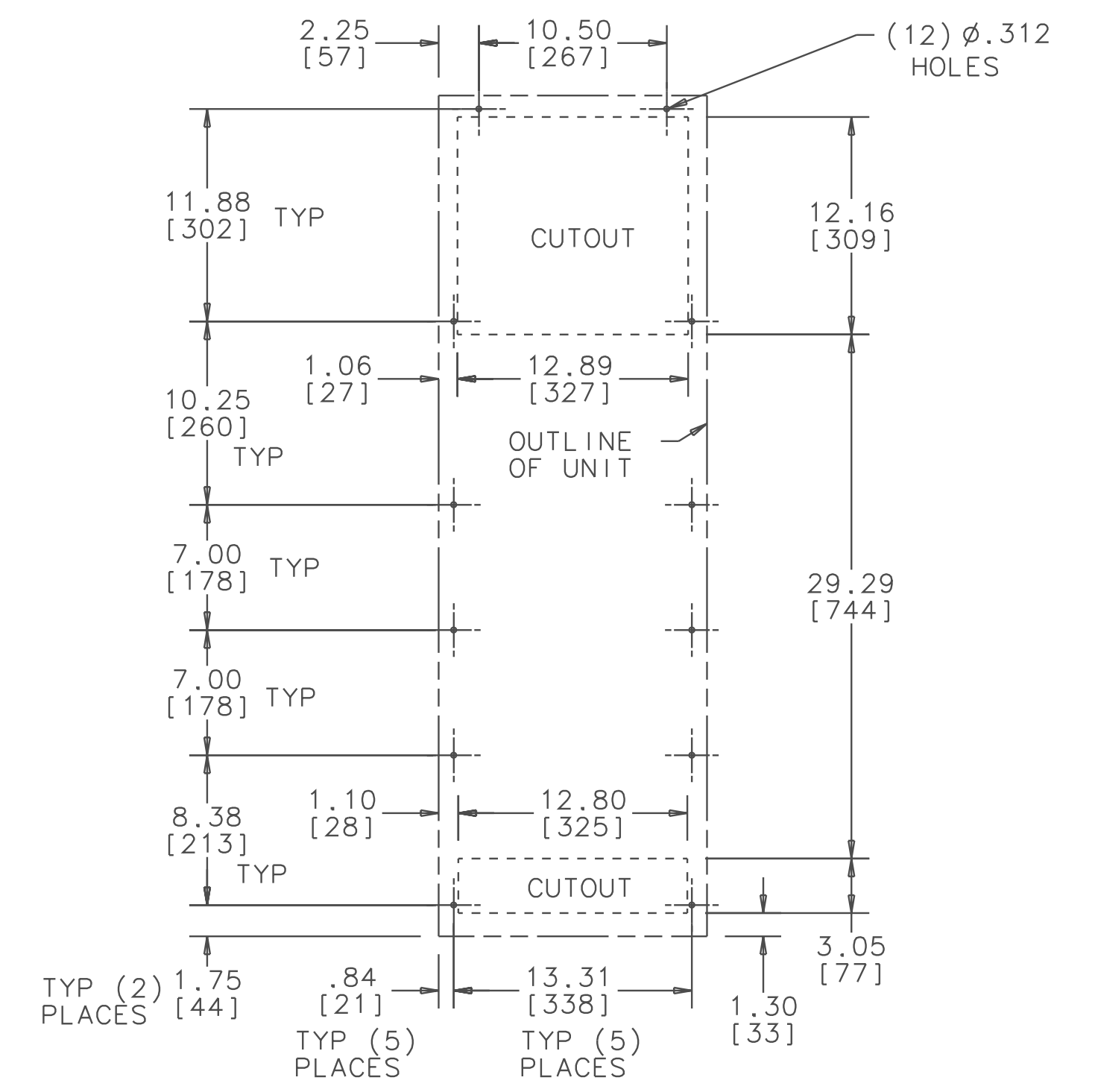
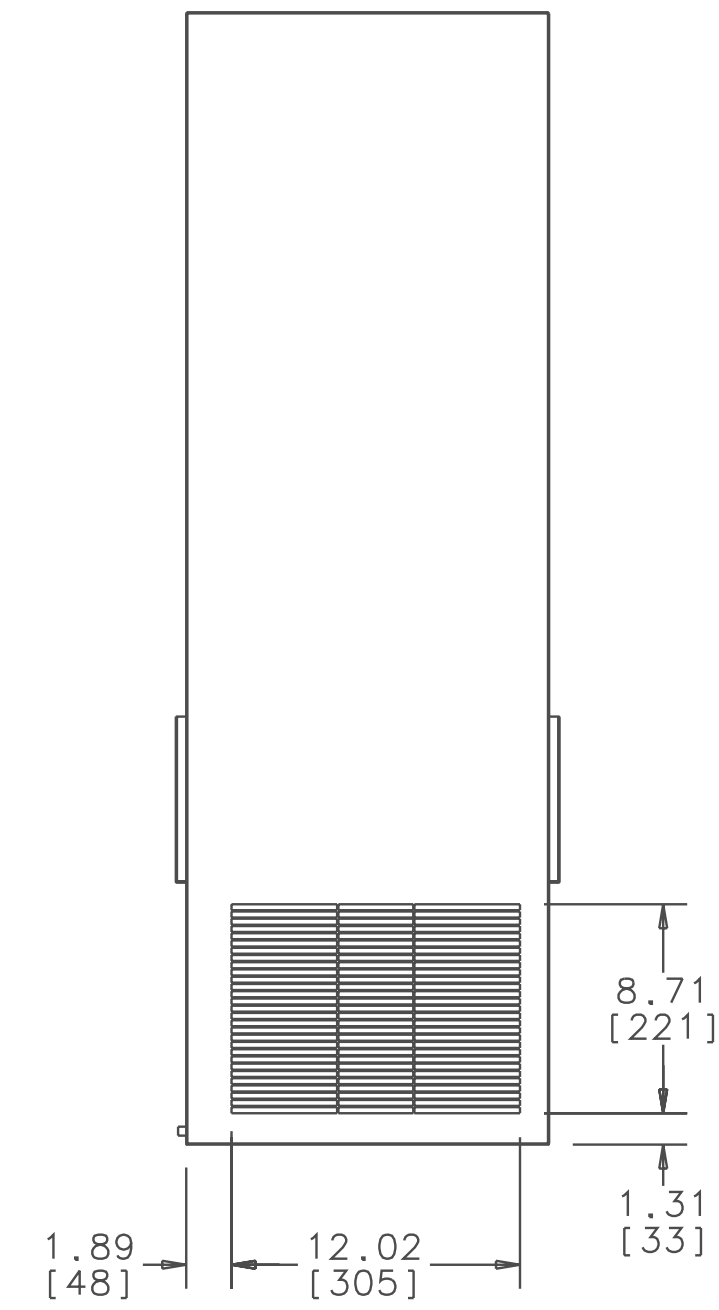
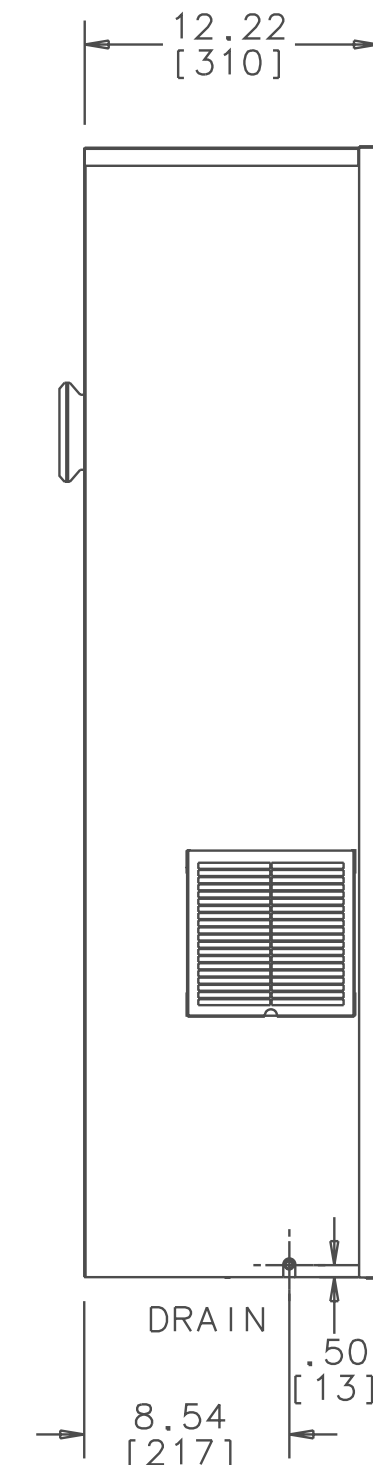
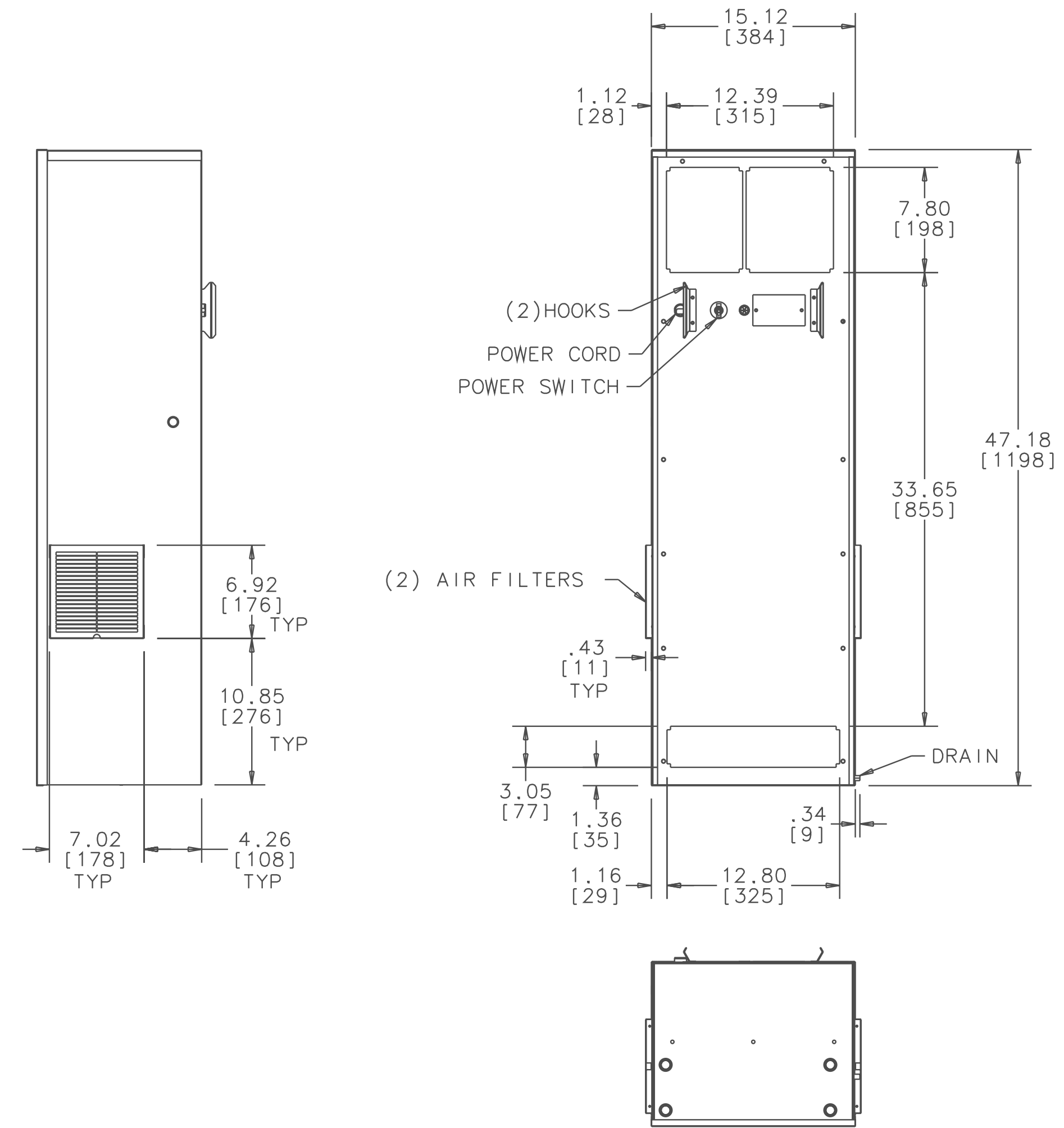
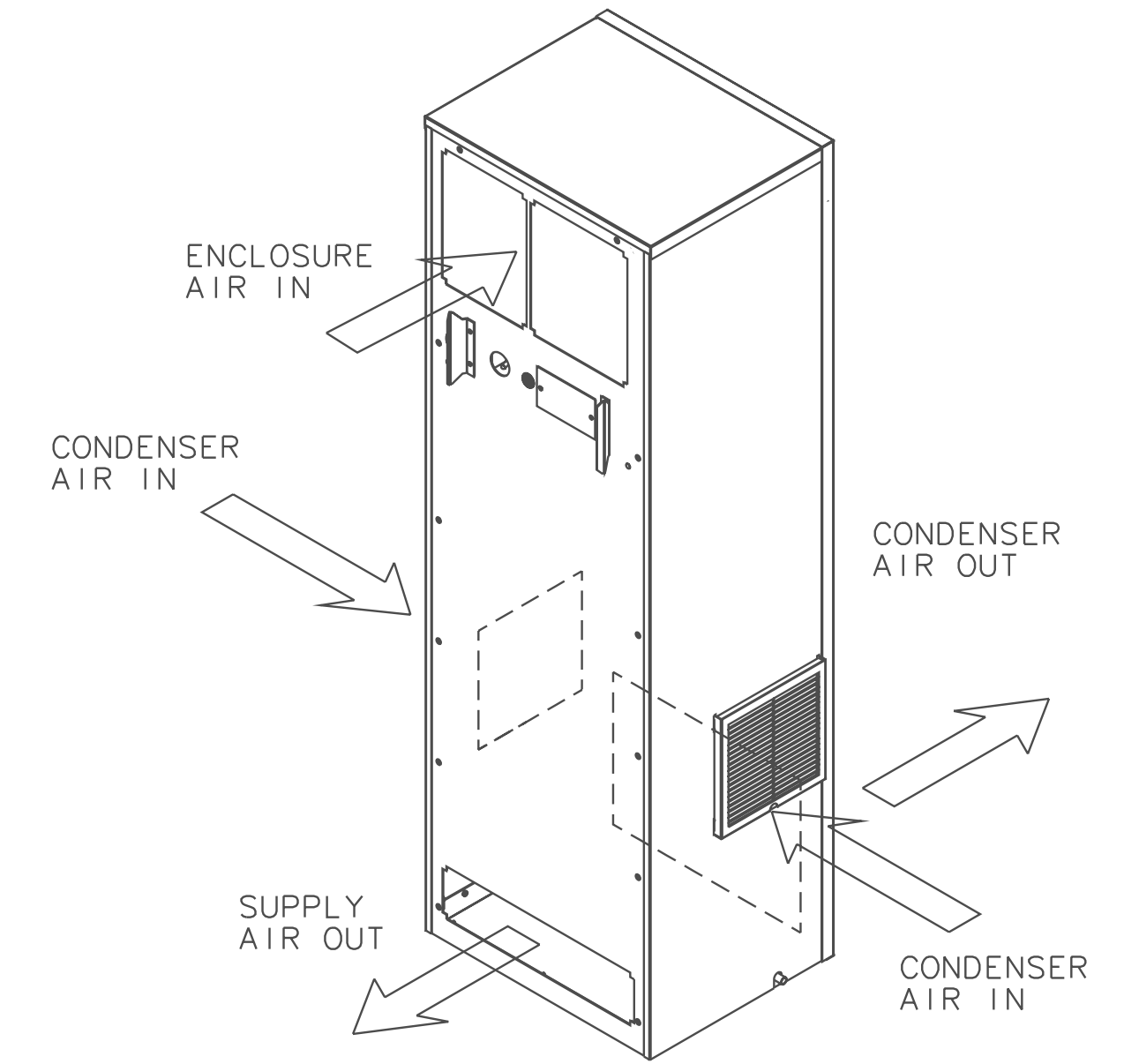
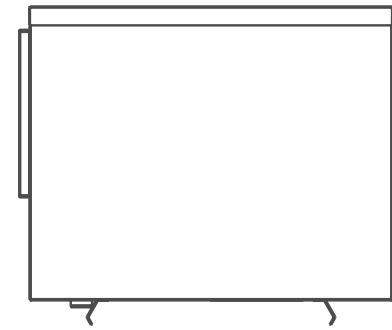


THIS DOCUMENT IS THE PROPERTY OF KOOLTRONIC, INC. AND CONTAINS PROPRIETARY AND CONFIDENTIAL INFORMATION WHICH MUST NOT BE DUPLICATED, USED OR DISCLOSED TO OTHERS, EXCEPT AS EXPRESSLY AUTHORIZED IN WRITING BY KOOLTRONIC, INC.

REVISIONS				
SYM	NOTICE	DESCRIPTION	DATE	APPROVED
-	ER 10/006	NEW DRAWING RELEASE	4/9/10	JS



ALL DIMENSIONS ARE IN INCHES. DIMENSIONS DESIGNATED MM ARE IN MILLIMETERS.				 PENNINGTON, NJ USA	
UNLESS OTHERWISE SPECIFIED TOLERANCES NON-ACCUMULATIVE					
DRAWN JERRY STEDNICK		DATE 4/9/10		TITLE GENERAL ARRANGEMENT	
CHECKED		ENG.			
ANGULAR		MFG. ENG.			
MATERIAL				CODE IDENT. NO. SIZE DWG. NO. REV	
UNIT K_A6C10NPT47L				06223 D GA54700A -	
APPROVED				SCALE 1/25=1 CAD. REF. SHEET 1 OF 1	