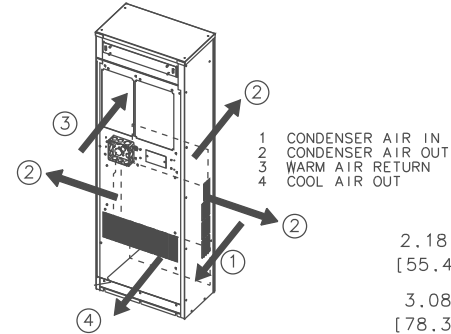
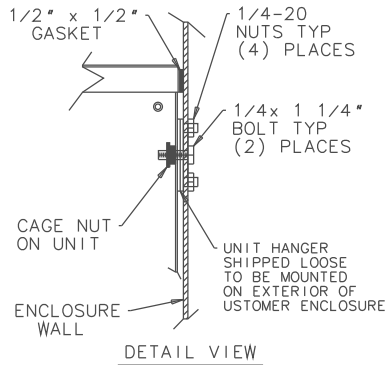
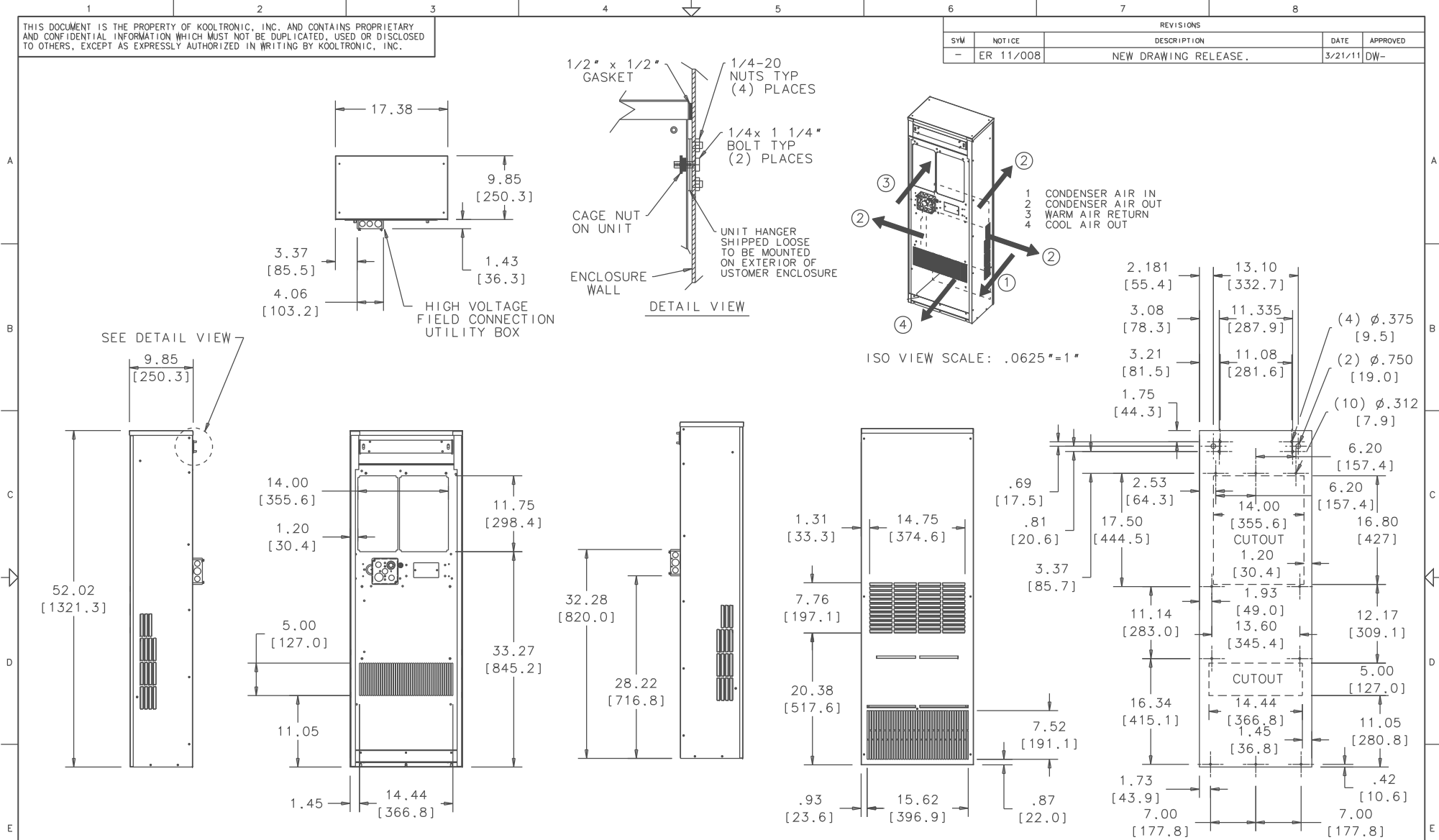


THIS DOCUMENT IS THE PROPERTY OF KOOLTRONIC, INC. AND CONTAINS PROPRIETARY AND CONFIDENTIAL INFORMATION WHICH MUST NOT BE DUPLICATED, USED OR DISCLOSED TO OTHERS, EXCEPT AS EXPRESSLY AUTHORIZED IN WRITING BY KOOLTRONIC, INC.

REVISIONS				
SYM	NOTICE	DESCRIPTION	DATE	APPROVED
-	ER 11/008	NEW DRAWING RELEASE.	3/21/11	DW-

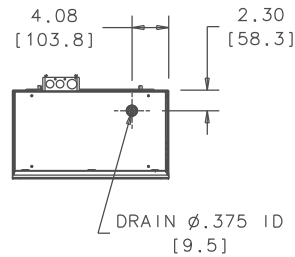


ISO VIEW SCALE: .0625"=1"



MOUNTING PLAN

GA548000A



TOL. ON			INCHES	MM
.XX	±	.02	±	
.XXX	±	.010	±	
ANGULAR			±	1/2°

DRAWN		DATE	Kooltronic, Inc.	
D. WALDRON	3/21/11	PENNINGTON, NJ USA		
CHECKED		DATE	GENERAL ARRANGEMENT AIR CONDITIONER	
Mike Mc Crohan	4/1/11			
ENG.				
MFG. ENG.		DATE		
Jim Disler	4/14/11			
MATERIAL		CODE IDENT. NO.	SIZE	QTY. NO.
SEE BOM		06223	C	GA548000A
UNIT		APPROVED	SCALE	SHEET
K3NA4C7DP52L	Bruce Kreeley	4/20/11	.0937=1	1 OF 1