



**NEMA  
TYPE 12  
MAINTAINED**

KFA13RG

## STANDARD FEATURES

- Mounts Quickly and Easily
- Attractive Appearance
- Requires No Mounting Hardware
- Integral Finger-Guards
- NEMA Type 12 Maintained
- Integrated Sealing Gasket
- Washable Thermolinked Progressive Structure Synthetic Filter

## CHARACTERISTICS

- All materials can be recycled.
- Mounting hardware is not required when using the "snap-in" method which utilizes elastic hooks.
- The plastic enclosure with integral finger guards consists of an ABS/PC alloy (Blend) and is self-extinguishing according to UL94V-0.
- The standard filter media consists of thermolinked, progressive structure synthetic fiber.
- Filters are stable up to 100°C and 100% rh.
- Filters guarantee a continuously high level of protection according to EU4, with a 94% separation efficiency according to DIN 24185 Standard.
- Dust capacity is particularly high (620 g/m<sup>2</sup>), which reduces maintenance.

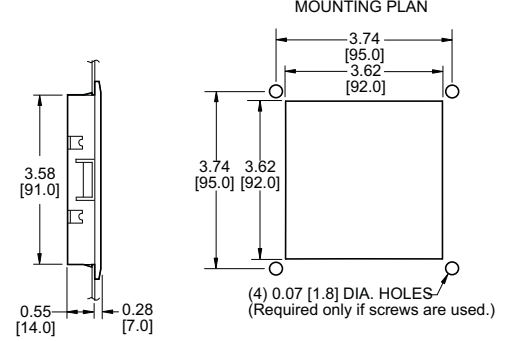
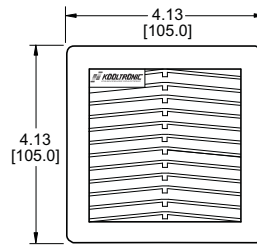
## ACCESSORIES AND OPTIONS

- Custom Grille Colors
- Filter

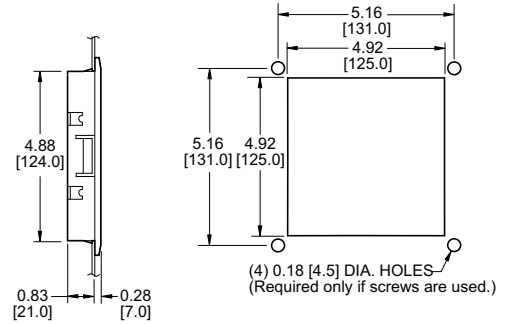
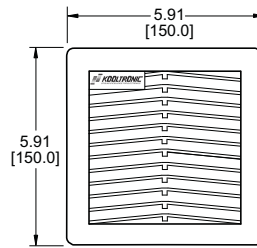
## HOW TO ORDER

Specify model number.

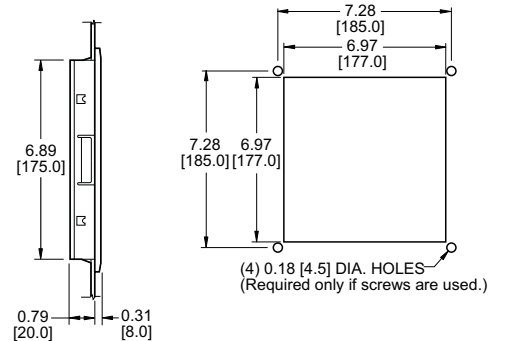
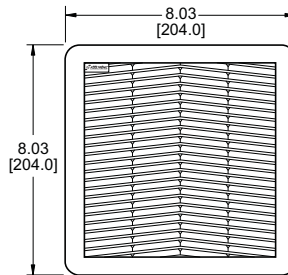
KFA08RG



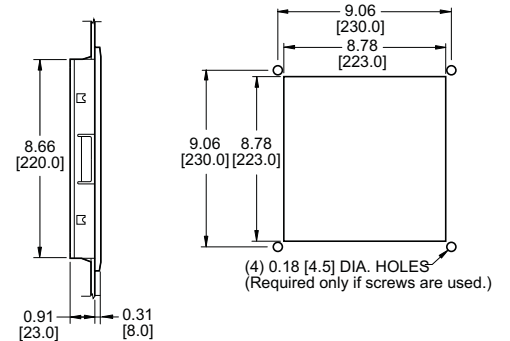
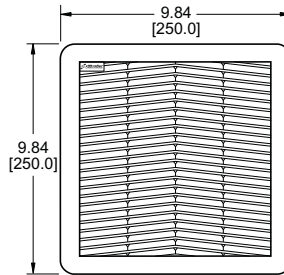
KFA12RG



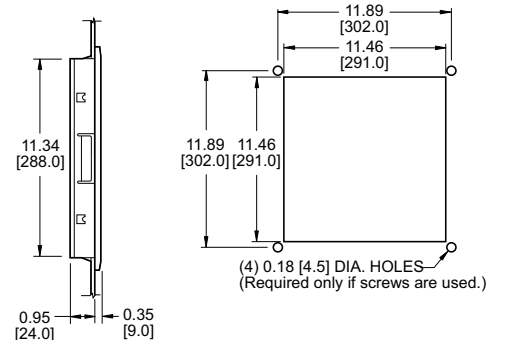
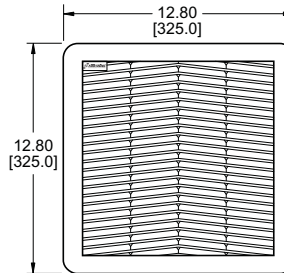
KFA13RG



KFA15RG



KFA20RG



Dimensions, inches [metric], are for reference only and subject to change.

kfa.qxd 4/27/07