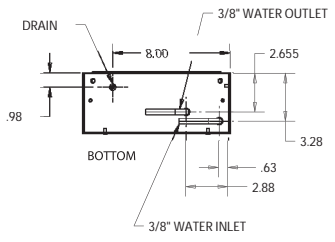
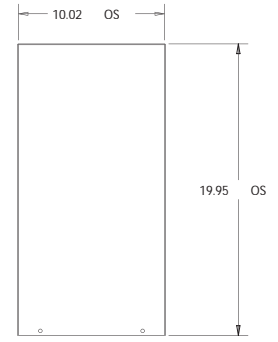
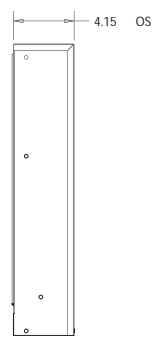
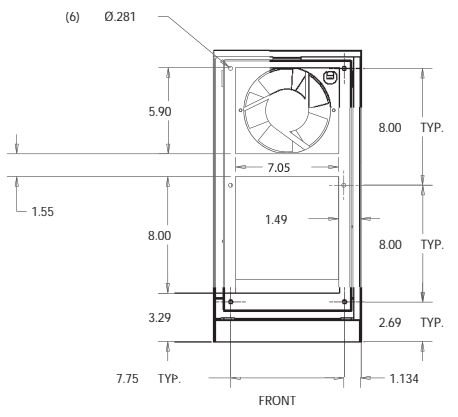
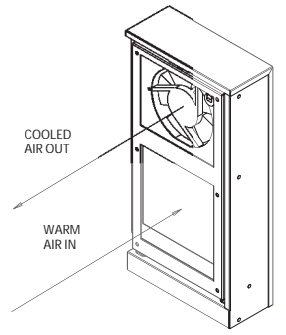


THIS DOCUMENT IS THE PROPERTY OF KOOLTRONIC, INC. AND CONTAINS PROPRIETARY AND CONFIDENTIAL INFORMATION WHICH MUST NOT BE DUPLICATED, USED OR DISCLOSED TO OTHERS, EXCEPT AS EXPRESSLY AUTHORIZED IN WRITING BY KOOLTRONIC, INC.

SYN		NOTICE	REVISIONS	DESCRIPTION	DATE	APPROVED
-		ER 01/050	NEW DRAWING RELEASE		4/11/01	REM



ALL DIMENSIONS ARE IN INCHES. DIMENSIONS DESIGNATED MM ARE IN MILLIMETERS.				REVISIONS	
UNLESS OTHERWISE SPECIFIED TOLERANCES NON-ACCUMULATIVE				DATE	APPROVED
DRAWN BY R.D. MOORE				4/11/01	REM
DESIGNED BY	INCHES	MM	DATE	TITLE	
B.M.	± .02	±	6/26/01	GENERAL ARRANGEMENT KPHE20	
CHKD BY	± .010	±	6/26/01	CODE IDENT. NO.	SIZE
B. Muzikant	± .010	±	6/26/01	06223	C
MFG. ENG.	± .012	±		DWG. NO.	7030-00-00
MATERIAL				SCALE	DWG. REF.
KPHE20				1/8"=1"	
UNIT	APPROVED BY	DATE	SHEET	OF	
	B. Kreeley	6/26/01	1	1	

