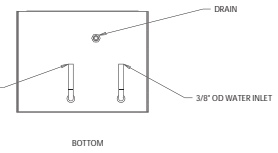
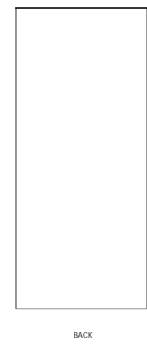
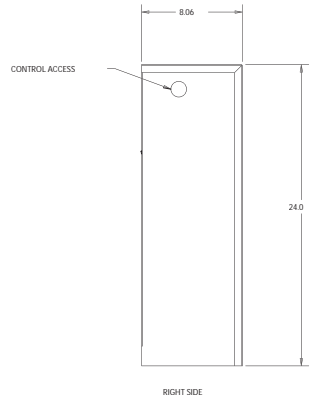
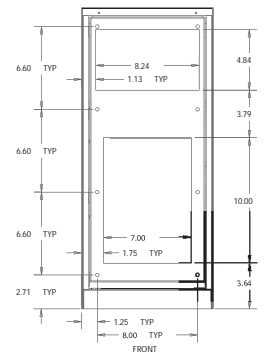
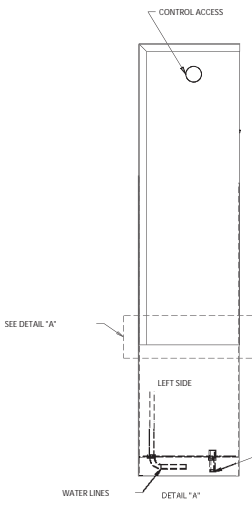
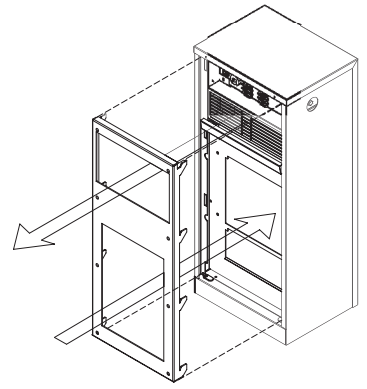
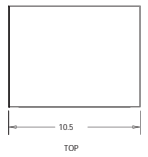


THIS DOCUMENT IS THE PROPERTY OF KOOLTRONIC, INC. AND CONTAINS PROPRIETARY AND CONFIDENTIAL INFORMATION WHICH MUST NOT BE DUPLICATED, USED OR DISCLOSED TO OTHERS, EXCEPT AS EXPRESSLY AUTHORIZED IN WRITING BY KOOLTRONIC, INC.

REVISIONS			
TYPE	REVISION	DESCRIPTION	DATE
1	08-03-2001	NEW DRAWING RELEASE	08/03/01



ALL DIMENSIONS ARE IN INCHES DIMENSIONS ARE GIVEN UNLESS OTHERWISE SPECIFIED			
NO.	DATE	BY	CHECKED
102	8-03-01	B. HANZIKANT	07-01
303	2-09-01	MFG. ENG.	07-01
400	1-14-01	MFG. ENG.	07-01
MATERIAL			
SPECIAL SERIES			
APPROVED:		DATE:	
B. HANZIKANT		08-23-01	
DRAWN:		DATE:	
B. HANZIKANT		7-24-00	
CHECKED:		DATE:	
07-01		1-31-01	



ROPELL, NJ VENTURA, CA USA

TITLE
GENERAL ARRANGEMENT