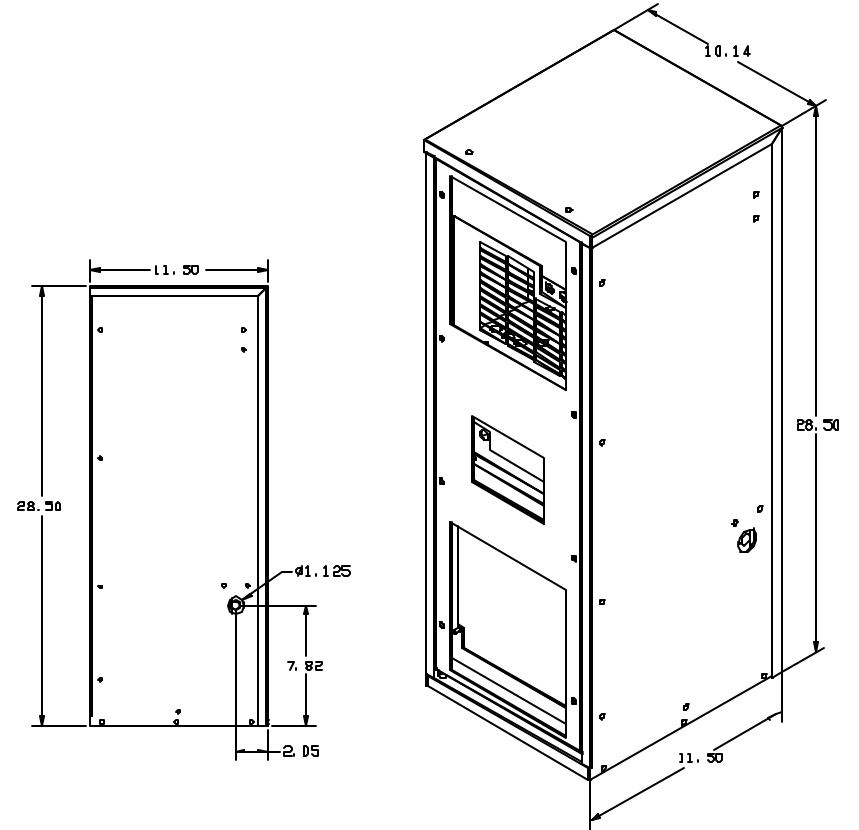
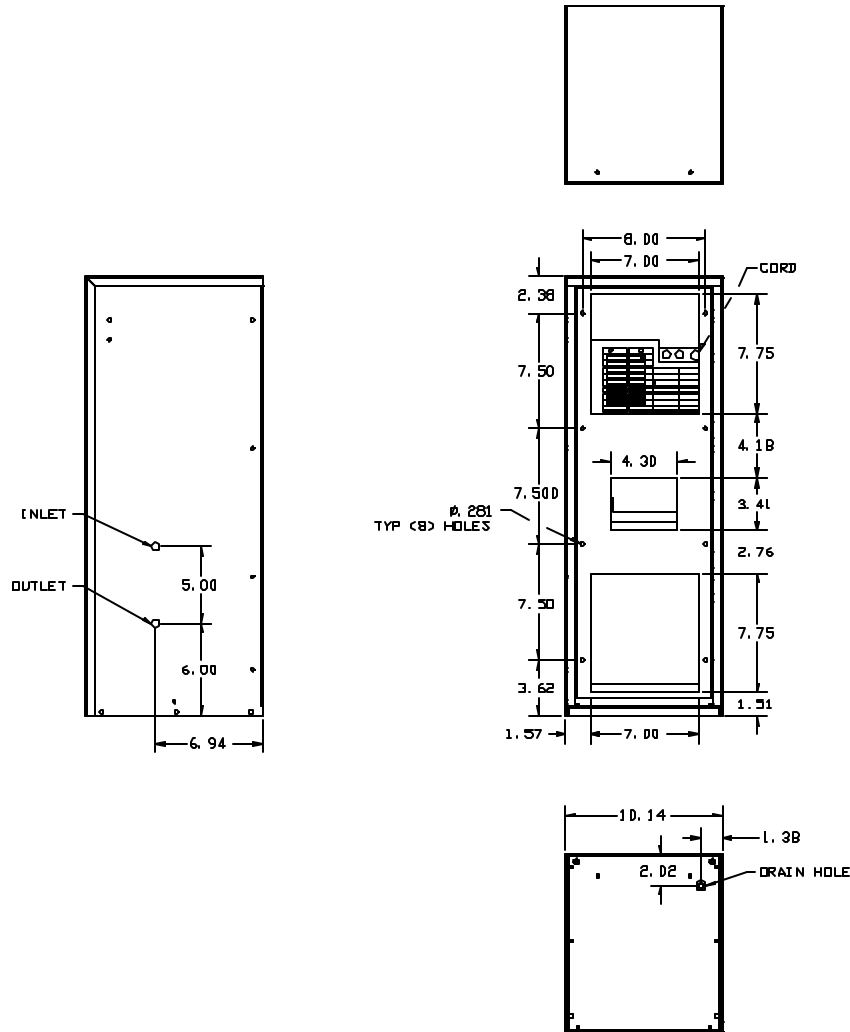


THIS DOCUMENT IS THE PROPERTY OF HOULTERS, INC. AND CONTAINS PROPRIETARY AND CONFIDENTIAL INFORMATION WHICH MUST NOT BE REPLICATED, USED OR DISCLOSED TO OTHERS, EXCEPT AS EXPRESSLY AUTHORIZED IN WRITING BY HOULTERS, INC.

REVISED				
SYM	REVISION	DESIGN BY/CHK	DATE	APPROVED



ALL DIMENSIONS ARE IN INCHES				DATE	
NO.	REV.	BY	CHKD.	DATE	DATE
XX	2	AM	E		
XXX	2	ATP	E		
MATERIAL					
UNIT	KPHE28	UNREVISED			

KOOLTRONIC	
HOPEWELL, NJ VENTURA, CA USA	
TITLE	
GENERAL ARRANGEMENT	
KPHE28	
DESIGN NO.	702B-00-00
REV.	
DATE	
SHEET	OF