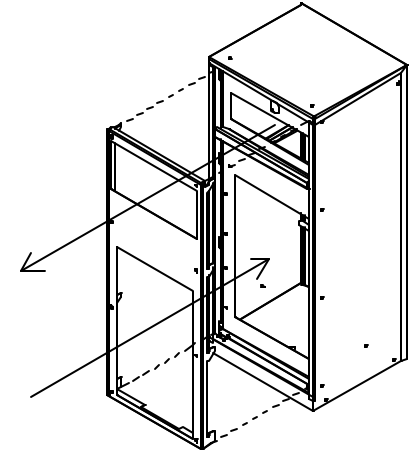
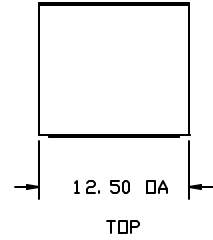


THIS DOCUMENT IS THE PROPERTY OF KOOLTRONIC, INC. AND CONTAINS PROPRIETARY AND CONFIDENTIAL INFORMATION WHICH MUST NOT BE DUPLICATED, USED OR DISCLOSED TO OTHERS, EXCEPT AS EXPRESSLY AUTHORIZED IN WRITING BY KOOLTRONIC, INC.

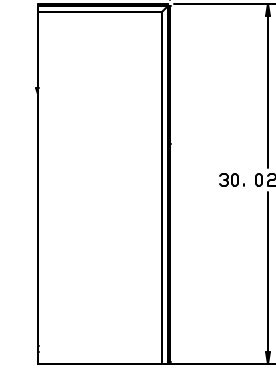
REVISIONS				
SYM	REV LOC	DESCRIPTION	DATE	APPROVED
-	ER 00/126	NEW DRAWING RELEASE		JS



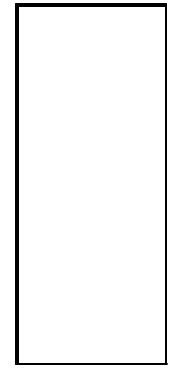
ISO VIEW



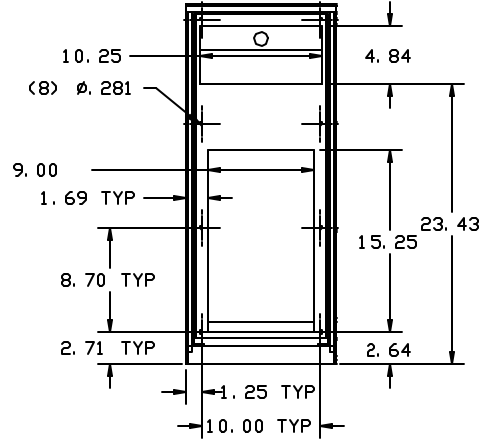
10.95 DA



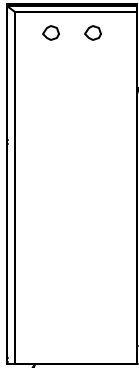
RIGHT SIDE



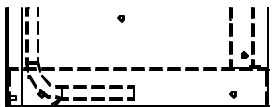
BACK



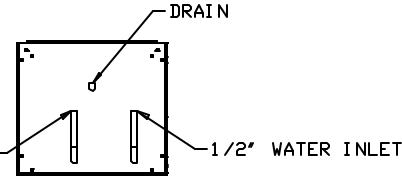
FRONT



DETAIL VIEW "A" LEFT SIDE



WATER LINES DETAIL VIEW "A"



BOTTOM

ALL DIMENSIONS ARE IN INCHES, DIMENSIONS DESIGNATED IN MM ARE IN MILLIMETERS			
TOL ON	INCHES	MM	DATE
.XX	± .00	±	
.XXX	± .010	±	
ANGULAR	± 1/2°		
MATERIAL			
UNIT	KPHE30		

<p>HOVELL, IN VENTURA, CA USA</p>		<p>FILE</p>	
		<p>GENERAL ARRANGEMENT</p>	
<p>CODE IDENT NO</p> <p>06223</p>	<p>SIZE</p> <p>C</p>	<p>DWG. NO.</p> <p>7026-00-00</p>	<p>REV</p> <p>-</p>
<p>SCALE</p> <p>1:25=1</p>	<p>DWG. REF.</p>	<p>SHEET</p> <p>1 OF 1</p>	