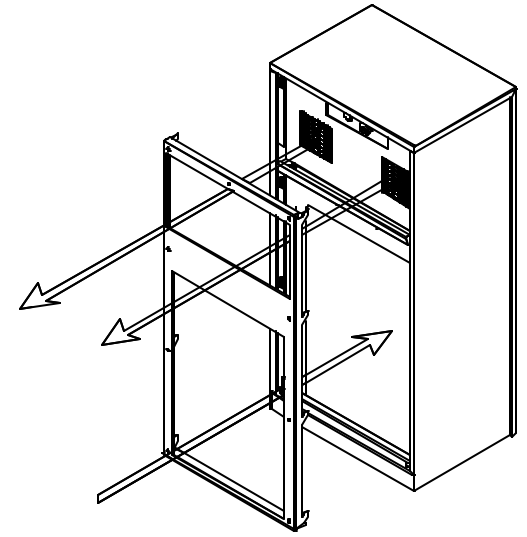
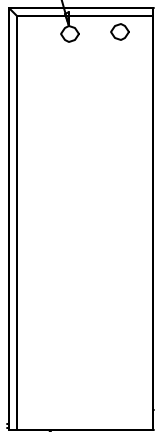


TOP



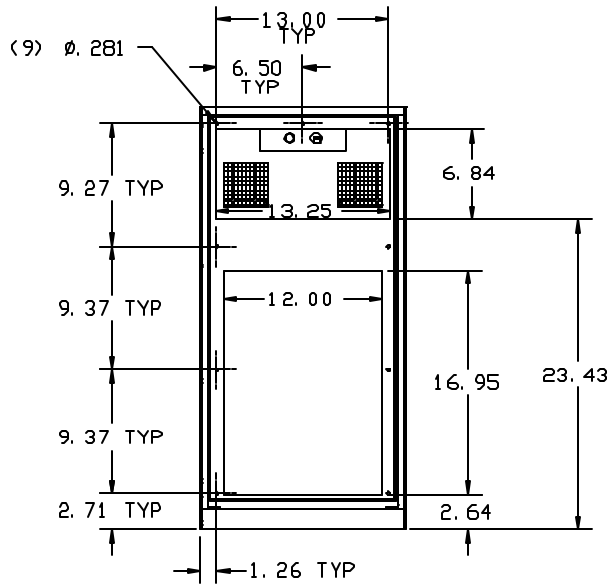
ISO VIEW

THERMOSTAT ACCESS HOLES

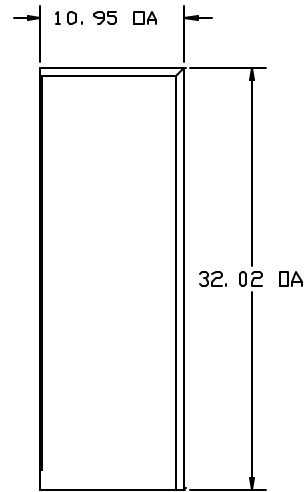


SEE
DETAIL VIEW 'A'

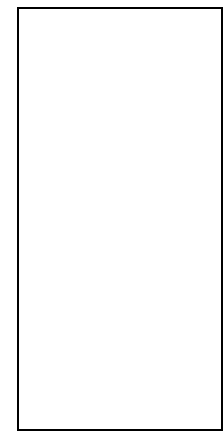
LEFT SIDE



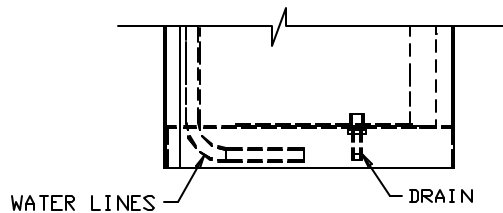
FRONT



RIGHT SIDE

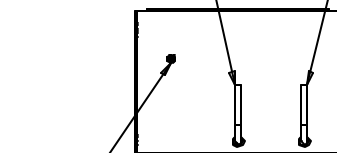


BACK



DETAIL VIEW 'A'

1/2" WATER OUTLET
1/2" WATER INLET



BOTTOM