



Light with on/off switch  
 Model No. KSDLS (AC 110-120 V)  
 Model No. K2SDLS (AC 220-240 V)



Light with motion sensor  
 Model No. KSDLM (AC 110-120 V)  
 Model No. K2SDLM (AC 220-240 V)

## TECHNICAL DATA

Operating voltage:	AC 110-120 V or AC 220-240 V / 50-60 Hz
Lamp type:	Electronic energy saving lamp
Power consumption:	20W (equal to a 100W incandescent bulb)
Luminosity:	1000 Lm
Service life:	10,000 hours
Motion sensor:	PIR = Passive Infrared
On-cycle:	Approx. 5 min.
Connection:	4-pole terminal, AWG 14 max (2.5 mm <sup>2</sup> ) for hard wiring of 1 light or 2 lights in parallel
Standard mounting (included):	Screw mounting on 35 mm DIN rail or sheet metal
Optional mounting:	With self-adhesive or magnet mounting plates
Housing:	Plastic, UL94V-0
Operating/storage temperature:	-4 to 122°F (-20 to 50°C)
Protection type:	IP 20
Protection class:	II (double insulated)
Agency approvals:	CE - EMV

Description	Model No.
Light with on/off switch, E26 socket, AC 110-120 V	KSDLS
Light with on/off switch, E27 socket, AC 220-240 V	K2SDLS
Light with motion sensor, E26 socket, AC 110-120 V	KSDLM
Light with motion sensor, E27 socket, AC 220-240 V	K2SDLM

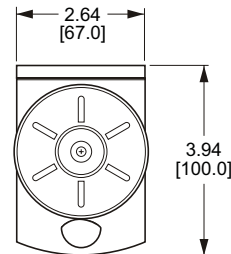
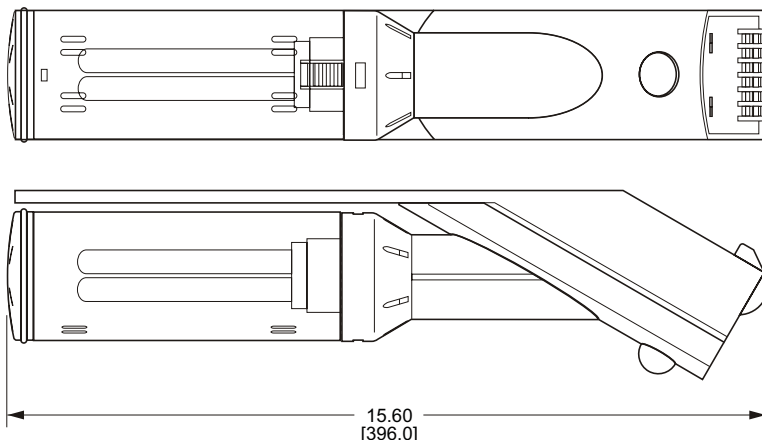
Description	Model No.
2 self-adhesive mounting plates (includes 2 screws)	KSDLM/A
2 magnet mounting plates (includes 2 screws)	KSDLM/M
Self-adhesive light holder with US plug, 110-120 V*	KSDLH/US
Self-adhesive light holder with Schuko plug, 220-240 V*	K2DSLH/S
Hand lamp w/power cord & US plug, 20W, 110-120VAC	KSHL/US
Hand lamp w/power cord & Schuko plug, 20W, 220-240VAC	K2SHL/S

\*With the light holder/power cord kit, the light can be used as a hand lamp.

A Passive Infrared (PIR) motion sensor detects the motion of the enclosure door being opened and automatically turns on the light. The sensor is factory pre-set to turn the light off 5 minutes after all motion ceases. The motion sensor does not detect movement through glass or fiberglass, thus allowing installation in enclosures with glass doors.

## DRAWINGS

Dimensions, inches [mm], are for reference only and are subject to change.



Light holder:  
 Model No. KSDLH/US  
 for use with KSDLS or KSDLM  
 Model No. K2SDLH/S  
 for use with K2SDLS or K2SDLM

Specifications are subject to change without notice. Suitability of this product for its intended use and any associated risks must be determined by the end customer/buyer in its final application.

ksdl.qxd 4/12/06