

SELF-ADHESIVE MOUNTING AID

The KSDR/FIX is a small aid specially designed to make mounting of smaller DIN rail mountable components easier. It can be used whenever the installation of a DIN rail is impractical, or when there is not enough space left in an enclosure.

Because of its industrial grade self-adhesive it can be installed much easier and quicker than a conventional DIN rail, without the effort of hole drilling and screw mounting. This is especially practical for subsequent changes or additions in an already equipped enclosure.

The KSDR/FIX can hold components up to 1.1 lbs in weight. Some of the many applications include the mounting of timing relays, series terminals, thermostats, cable channels and even small heaters. In addition, DIN rails can be mounted simply by using several KSDR/FIX units.

If the weight of attached components exceeds the load limit, or if a more secure mounting is desired, (e.g. on rough surfaces), it can also be screw-mounted. All that is necessary to install KSDR/FIX is a smooth and clean surface. The initial adhesive power is 40%, and after 24 hours, it has its full holding power of 1.1 lbs.



Application example



Find additional information on this model at kooltronic.com, or use the Technical Documents QR code below.



Technical Documents

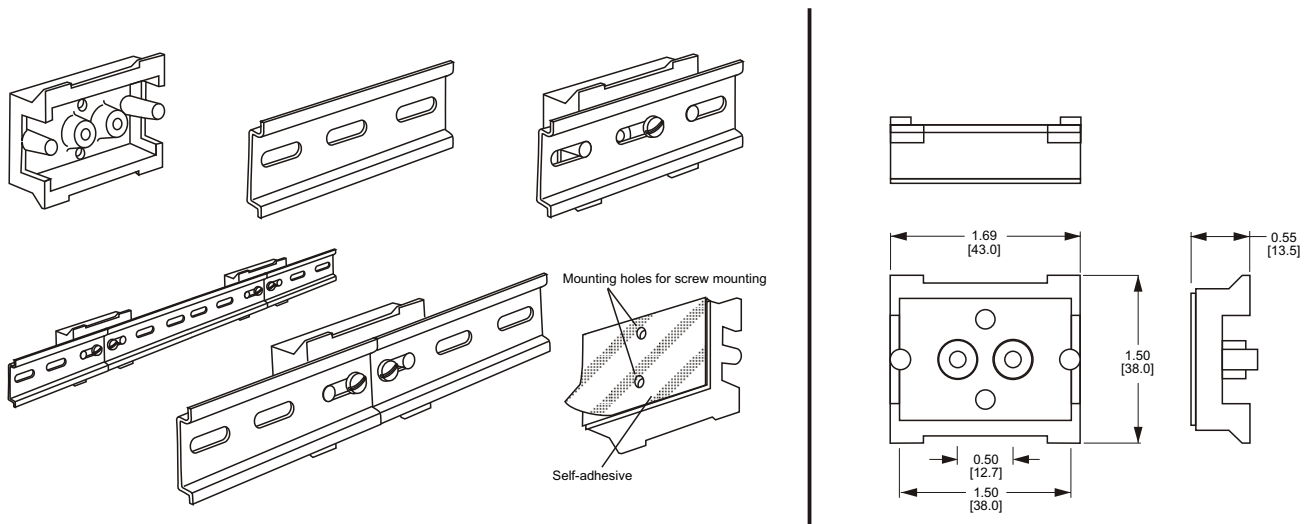
TECHNICAL DATA

Model Number:	KSDR/FIX
Application:	Direct attachment of small components and 35 mm DIN rails (EN 50022)
Capacity:	7 oz (200 g) initially 1.1 lb (500 g) after 24 hour waiting period
Mounting surface:	All smooth surfaces, e.g. metals, lacquered surfaces, plastics other than polyethylene, polypropylene and rubber. Mounting surface must be dry and free from dust, oil, separating agents and other contamination.
Dimensions:	1.7 x 1.5 x 0.55" (43 x 38 x 14 mm)
Hole pattern:	0.5" distance, Ø 0.14" (12.8 mm; Ø 3.6 mm)
Material:	polyamide (rated UL94V-0) with non-deteriorating high-performance adhesive
Temperature range:	-49° to 158°F (-45° to 70°C)
Included:	mounting screw for perforated DIN rail



DRAWINGS

Dimensions, inches [mm], are for reference only and are subject to change.



Specifications are subject to change without notice. Suitability of this product for its intended use and any associated risks must be determined by the end customer/buyer in its final application.

ksdr-fix.qxd 1/18/16