



NP17 TRIMLINE AIR-COOLED PANEL-MOUNTED AIR CONDITIONERS

with Serial Numbers up to and including M16A4171



These units are discontinued, and this information is presented for reference purposes only.
Recommended replacement: See *Guardian/GuardianX* or *SlimKool Series* or current *TrimLine Series*.

TECHNICAL DATA

Model	NEMA Rating	UL/CUL Listed or Recognized	BTU/H Capacity	95/95 Rating BTU/H	Ambient Temp		Volts	Hz	Running Amps	Approx. Weight lbs kg
					°F Max./Min.	°C Max./Min.				
KA4C2.0NP17L	12	Listed	2000	1420	125/50	52/10	115/100	60/50	6.7/6.5	59 27
K2A4C2.0NP17L	12	Listed	2000	1420	125/50	52/10	230/200	60/50	4.3	59 27

Rating shown is for operation at maximum ambient temperature.
These units have been redesigned and are no longer available. The information is presented for reference only.



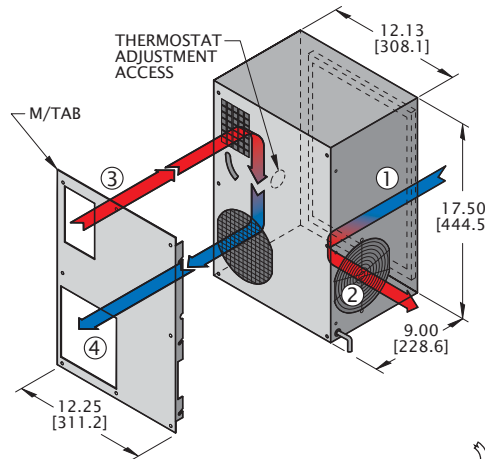
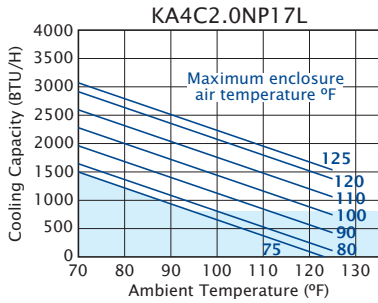
STANDARD FEATURES

- Built-in Condensate Evaporator
- CFC-Free Refrigerant
- Filter
- Low Temperature Control Thermostat
- NEMA12 Rating Maintained (UL50)
- UL/CUL Listed

ACCESSORIES AND OPTIONS

- Compressor Short Cycle Protector
- Filter Recoating Adhesive
- High-Capacity Condensate Evaporator
- Internal Corrosion Protection
- Lifting Eyes
- Low Ambient Kit
- Remote Thermostat Relay
- Replacement Filters
- Special controls or indicators
- Special materials or finishes
- Special motors, line cords, or connectors
- Stainless or Aluminum Shell
- Temperature Alarm
- Weather Protection Kit

PERFORMANCE



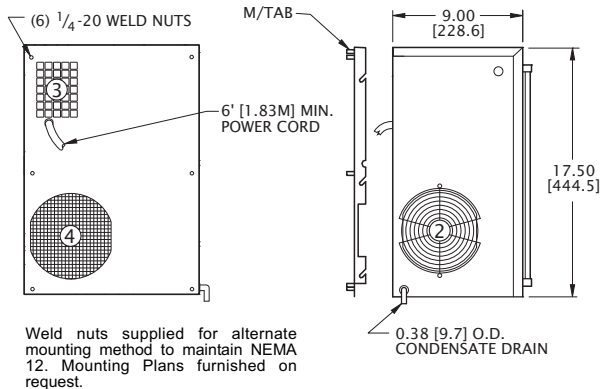
- ① CONDENSER AIR INLET (Ambient Air In)
- ② CONDENSER OUTLET (Warm Ambient Air Out)
- ③ WARM AIR RETURN FROM ENCLOSURE
- ④ COOL AIR OUTLET TO ENCLOSURE

Find additional information on this model at kooltronic.com, or use the Technical Documents QR code below.

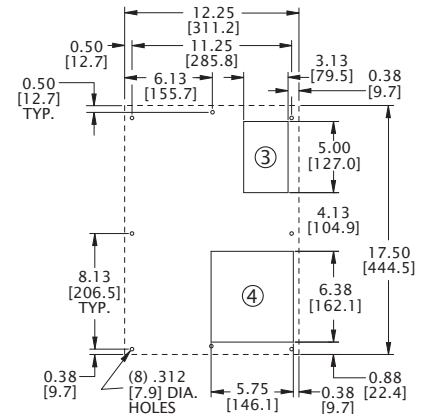
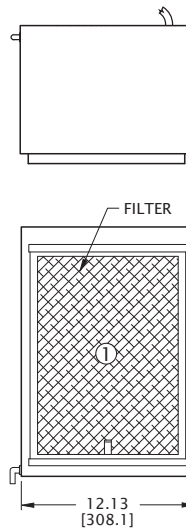
Technical Documents



Many popular units are available as 3D solid models for customer system integration. Please contact Kooltronic for details.



Weld nuts supplied for alternate mounting method to maintain NEMA 12. Mounting Plans furnished on request.



MOUNTING PLAN

Dimensions, inches [mm], are for reference only and subject to change.

* Rating shown is for operation at maximum ambient temperature.

np17-old.qxd (12/21/21) (CDR: 20369)



NP17 TRIMLINE AIR-COOLED PANEL-MOUNT AIR CONDITIONERS

DESCRIPTION

Innovations in technology have resulted in much denser components packaging and smaller available panel sizes on which to mount Air Conditioners. The KOOLTRONIC *TrimLine Series* is the response to these new packaging demands with the Narrow 10", 12", 15", 17" and 21" width panel-mount air conditioners. In addition to being narrower than traditional Air Conditioner units, the *TrimLine Series* include the Condensate Evaporator and Low Temperature Control Thermostat as *standard* features and are available in all popular voltages and frequencies.

The *TrimLine NP17 Series* consists of compact models with a capacity of 2,000 BTU/H. This series is designed with a minimum width to take up less cabinet space on the exterior panel or door.

Outdoor or corrosive environments require weather protection and/or special internal and external protective features. Also see Integrity NEMA 4/4X and Intrepid Outdoor Series.

For extreme ambient temperatures and/or severely contaminated environments, the use of *TrimLine* or other *Water-Cooled Air Conditioners* is recommended.

KOOLTRONIC also designs and manufactures a variety of Air Conditioners to meet *unique* specifications. We invite your inquiries about our modification and custom-design capabilities.

STANDARD FEATURES

CLOSED-LOOP COOLING: The enclosure interior airflow system is isolated from the ambient airflow system. Ambient air can not invade the cool, dehumidified sensitive component compartment.

BALL-BEARING MOTORS: All fan motors are UL/CSA Recognized and include automatic-reset thermal overload protection and double-sealed or double-shielded precision ball bearings. Special permanent lubricants in the tube axial fans perform over a broad temperature range: -20°F [-28.9°C] to 250°F [121.1°C].

RUGGED CONSTRUCTION: Precision-engineered heavy gauge steel construction of all shells and blowers insures Air Conditioners will stand up under tough applications.

BAKED POWDER FINISH: Durable, baked-on gray powder finish is standard. Other finishes are available.

POWER: Available in 115 VAC, 60 Hz or 50/60 switchable and 230 VAC, 50 Hz or 60 Hz.

REFRIGERANT: CFC-free R134a Refrigerant is used in all *TrimLine NP17 Series* Air Conditioners.

FILTERS: Multi-layer grid of sturdy, corrugated aluminum in an aluminum frame. May be reused after washing off accumulations and spraying with A-16 Recoating Adhesive.

CONDENSATE EVAPORATOR: Built-in Condensate Evaporator eliminates need for draining condensate under normal operating conditions. May not be adequate in extremely high humidity with open or leaky enclosure. Overflow condensate drain fitting and hose are included.

LOW TEMPERATURE CONTROL: Thermostatic Low Temperature Control prevents over-cooling and provides energy-efficient operation.

POWER CORD: All models have six foot [1.8m] 3-wire power cord.

INSULATION: All cold components, lines and the evaporator compartment are insulated with high-performance insulation for maximum efficiency.

GASKETING: All units are fully gasketed for tight, leakproof installation, in compliance with the NEMA 12 Enclosure Rating. (Weld nuts are supplied for mounting method to maintain NEMA 12, M/TAB is not required.)

QUALITY ASSURANCE: Refrigeration system components are kept sealed until charged with refrigerant; all brazed joints are thoroughly leak-tested; each unit is functionally tested before shipment.

UL/CUL LISTED: All *TrimLine NP17 Series* are *UL/CUL Listed*.

ACCESSORIES AND OPTIONS**

FACTORY-INSTALLED OPTIONS:

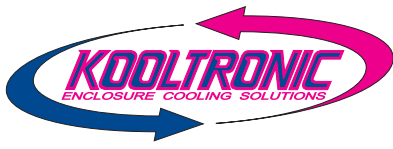
ALUMINUM SHELL: Where light weight and/or compatibility with appearance of Aluminum Enclosures are required. Unpainted Type 5052 is standard. Other types and ultra-violet-resistant baked powder finish are available.

Append letter "A" to Part No. (5052 Unpainted)

COMPRESSOR SHORT CYCLE PROTECTOR: Protects the compressor from possible damage due to harmful short cycling.

Append letter "Y" to Part No.

**Contact KOOLTRONIC for information.



NP17 TRIMLINE AIR-COOLED PANEL-MOUNT AIR CONDITIONERS

ACCESSORIES AND OPTIONS** (continued)

INTERNAL CORROSION PROTECTION: For corrosive or other hostile environments, special coating material is applied to copper lines, coils and other parts subject to damage. Also see **Stainless Steel Shell** or **Integrity NEMA 4/4X Air Conditioners**.

Append letter "H" to Part No.

LIFTING EYES: Heavy-gauge steel lifting eyes, attached to the side panels, assist in positioning units.

Append letter "K" to Part No.

LOW AMBIENT KIT: Maintains sufficient operating pressures when ambient temperatures drop below 50°F [10°C]. Includes a compressor heater and pressure actuated condenser blower cycling control.

Append letter "N" to Part No.

SPECIAL MATERIALS OR FINISHES**

SPECIAL MOTORS, LINE CORDS OR CONNECTORS**

STAINLESS STEEL SHELL: For applications in corrosive or other hostile environments such as those requiring Internal Corrosion Resistant Coatings, especially where chemical/moisture combinations are present.

Append letter "V" to Part No. (304-2B Unpainted)

TEMPERATURE ALARM: A thermostat is mounted inside the cabinet and attached to a sensor in the warm air return. When the air temperature increases to the set point, a signal is sent to a terminal block. User-installed wiring from the terminal block to local and/or remote warning devices (*light, bell, siren, etc.*) can be for normally open or closed operation.

Append letter "B" to Part No.

CUSTOMER-INSTALLED OPTIONS:

FILTER RECOATING ADHESIVE: This compound is a superior product for recoating filters after washing. The adhesives penetrate dirt layers to keep the filter surface tacky for longer effective performance between washings. Part No. A-16.

REPLACEMENT FILTERS: All KOOLTRONIC filters consist of a multi-layer grid of sturdy corrugated aluminum, securely held in a one-piece aluminum frame. Filters are required wherever air is drawn into an electronics enclosure or related cooling equipment to keep internal parts as clean as possible.

A non-drying adhesive coating traps a high percentage of particulate matter. These filters are reuseable, they may be washed and recoated with the appropriate filter recoating adhesive. Replacements are available for those which become damaged or otherwise non-serviceable.

Part No. 10871F (10.88" x 14.88" x 0.50" [276mm x 378mm x 13mm])

WEATHER PROTECTION KIT: For outdoor installations subject to invasion by rain, snow or windblown dirt, special deflectors shield the condenser air inlet and outlet ports. Air conditioners installed outdoors may also require special exterior paint.

**Contact KOOLTRONIC for information.

HOW TO ORDER

Specify model number. NOTE: Accessories and Options may affect model number, contact KOOLTRONIC for information.

For assistance in model selection, refer to the Air Conditioner Sizing and Selection Guide, contact KOOLTRONIC, or use one of our design aid software programs, available FREE.

CALL 1-800-321-KOOL (5665)
or FAX 609-466-1114



**POPULAR MODELS ARE
STOCKED AND READY TO SHIP**