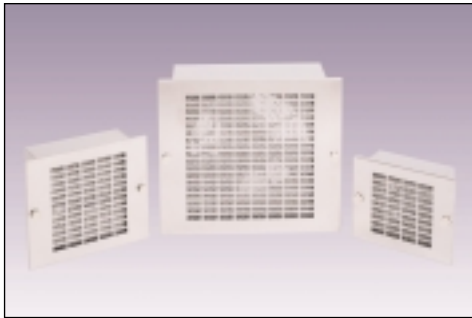


SMALL FILTER BOX FANS



KP40

STANDARD FEATURES

Baked Powder Finish
 Capacities: 105 to 550 CFM
 Exceptionally quiet
 Rugged construction
 UL/CSA precision ball-bearing motors
 12" [304.8mm] (minimum) power
 and ground leads

ACCESSORIES AND OPTIONS*

- Filter Recoating Adhesive
 - Filters for replacement
 - Brushless DC motors
 - Special external paint finishes
 - Special line cord or connectors
- *See opposite side for more information.

TECHNICAL DATA**

Model	CFM@ 0" S.P. Fan Only	RPM Nominal
KP40	105	3000
K2P40	105	3000
KP60	220	3300
K2P60	220	3300
KP100	550	1600
K2P100	550	1600

Model	Running Amps	Watts	Volts	Approximate Weight	
				Lbs.	[kg]
KP40	0.18	15	115	3	1.4
K2P40	0.09	15	230	3	1.4
KP60	0.29	33	115	4	1.8
K2P60	0.15	33	230	4	1.8
KP100	0.87	60	115	10	4.5
K2P100	0.45	60	230	10	4.5

**60 Hz. operation

HOW TO ORDER

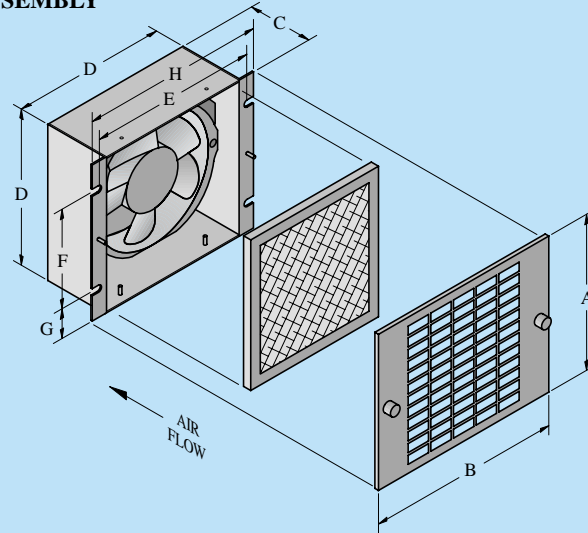
KP40, KP60, KP100, KFG40, KFG60 and KFG100: Specify model number.

For assistance in model selection, refer to the *Blower and Fan Selection Guides*, contact **KOOLTRONIC**, or use one of our design aid software programs, available **FREE**.

CALL 1-800-321-KOOL (6556)
 or FAX 609-466-1114

POPULAR MODELS ARE STOCKED AND READY TO SHIP

FAN ASSEMBLY

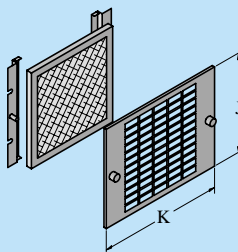


Finguard on rear of fan not shown.
 Dimension, inches [metric], are for reference only and are subject to change.

DIMENSIONS (inches [metric])

Model	A	B	C	D	E	F	G	H
KP40	6.13 [155.7]	7.38 [187.5]	2.38 [60.5]	5.63 [143.0]	6.38 [162.1]	4.13 [104.9]	0.75 [19.1]	7.00 [177.8]
KP60	7.63 [193.8]	8.88 [225.6]	3.00 [76.2]	7.13 [181.1]	7.88 [200.2]	4.50 [114.3]	1.31 [33.3]	8.50 [215.9]
KP100	11.63 [295.4]	13.00 [330.2]	4.56 [115.8]	11.13 [282.7]	11.88 [301.8]	6.88 [174.8]	2.13 [54.1]	12.50 [317.5]

FILTER - GRILLE ASSEMBLY



DIMENSIONS (inches/metric)

Model	J	K
KFG40	6.13 [155.7]	7.38 [187.5]
KFG60	7.63 [193.8]	8.88 [225.6]
KFG100	11.63 [295.4]	13.00 [330.2]

FILTERS

Model	Filter P/N
KP40	531F
KP60	681F
KP100	1081F

DESCRIPTION

FILTER BOX FANS: High airflow with low noise operation makes these versatile packaged fans very popular in a wide range of applications, especially with their minimal internal cabinet depth requirement.

Reversible designs allow user to push or pull air through the enclosure. In addition, these fans can be installed internally or externally, vertically or horizontally, with or without a filter on either side. With the KOOLTRONIC special motor-mount isolation system, these fans operate virtually vibration-free. Front and rear grilles can be adjusted to accommodate or omit filter. Filters are easily removable for cleaning and replacement.

CAUTION: We strongly recommend proper guarding of fans to prevent serious injury.

SMALL FILTER BOX FANS PERFORMANCE CHARTS

Airflow vs. static pressure curves are shown for 60 Hz and 50 Hz (broken line) inputs. Static pressure is in inches of water.

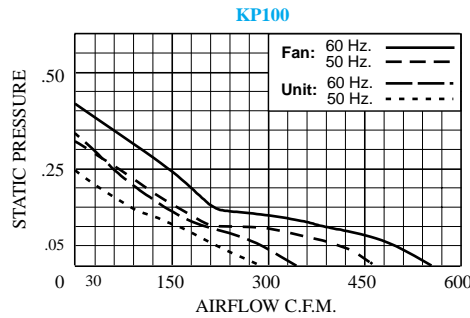
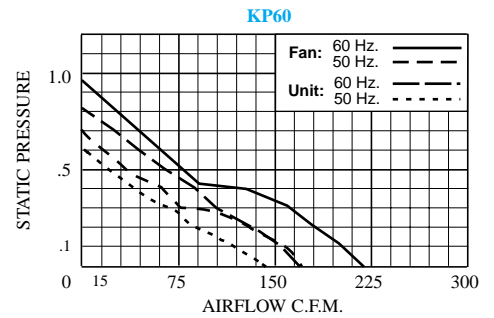
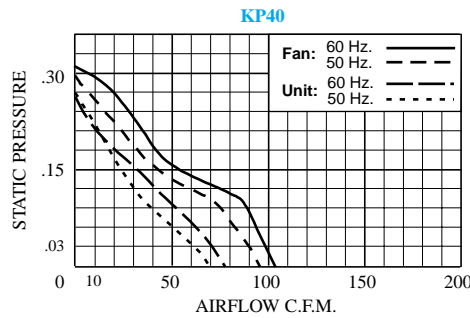
CONVERSION FACTORS

Multiply airflow in cubic feet per minute (CFM) by:

- 1.7 to obtain airflow in cubic meters per hour (m³/hr.)
- 0.47 to obtain airflow in liters per second (L/S)

Multiply static pressure in inches of water ("H₂O) by:

- 25.4 to obtain static pressure in millimeters of water (mm H₂O)
- 249 to obtain static pressure in Pascals (Pa)



STANDARD FEATURES

RUGGED CONSTRUCTION: Precision-engineered heavy-gauge steel construction insures fans stand up under tough applications.

BAKED POWDER FINISH: Durable, baked-on gray powder finish is standard. Other finishes are available.

PRECISION BALL-BEARING MOTORS: All motors, whether permanent split capacitor or shaded pole, are UL/CSA Recognized and include automatic-reset thermal overload protection. Designed for low temperature rise, KOOLTRONIC motors are also cooled by the fans' intake air, for maximum motor life. All motors meet Federal Specification CC-M-1807A, and include double-sealed or double-shielded precision ball bearings which meet Federal Specification FF-B-171A. Special permanent lubricants perform over a broad temperature range: -20°F (-28.9°C) to 250°F (121.1°C). Consult KOOLTRONIC for motors designed to meet military or extreme environmental specifications.

POWER: 115 VAC or 230 VAC, 50/60 Hz is standard. For multi-phase power, other voltages and frequencies or brushless DC applications, consult KOOLTRONIC.

LEADS: 12" [304.8mm] (minimum) power and ground leads.

ACCESSORIES AND OPTIONS*

FILTER RECOATING ADHESIVE: This compound is a superior product for recoating all permanent filters after washing. The adhesives penetrate dirt layers to keep the filter surface tacky for longer effective performance between washings. Part No. A-16 - one pint container.

FILTERS FOR REPLACEMENT: All KOOLTRONIC filters consist of a multi-layer grid of sturdy corrugated aluminum, securely held in a one-piece aluminum frame. Filters are required wherever air is drawn into an electronics enclosure or related cooling equipment to keep internal parts as clean as possible. A non-drying adhesive coating traps a high percentage of particulate matter. These washable, reusable filters are designed to last the life of the cooling unit. Replacements are available for those which become damaged or otherwise non-serviceable.

KP40 - Part No. 531F, KP60 - Part No. 681F, KP100 - Part No. 1081F

BRUSHLESS DC MOTORS

SPECIAL EXTERNAL PAINT FINISHES

SPECIAL LINE CORD OR CONNECTORS

*Contact KOOLTRONIC for information.

ADDITIONAL SPECIFICATIONS

ENCLOSURES: Precision-engineered baked powder coated heavy-gauge steel construction. See dimensional data for sizes.

GRILLE/GUARD: Include a rear guard and an attractive stainless steel grille with knurled captive fasteners for easy removal. Grilles and guards comply with OSHA and UL safety standards.

PERMANENT FILTER: Furnished with each packaged fan. Recommended wherever air is drawn into the electronics cabinet. Designed to last the life of the unit, filters consist of a multi-layer grid of sturdy corrugated aluminum in a one-piece aluminum frame. Adhesive coated to trap particulate matter, they are easy to remove, wash and treat with KOOLTRONIC A-16, an adhesive rejuvenating spray. Filters must be kept free of accumulations, to prevent reduction or loss of performance and/or damage to equipment.

KOOLTRONIC also designs and manufactures a variety of Fans to meet *unique* specifications. We invite your inquiries about our modification and custom-design capabilities.