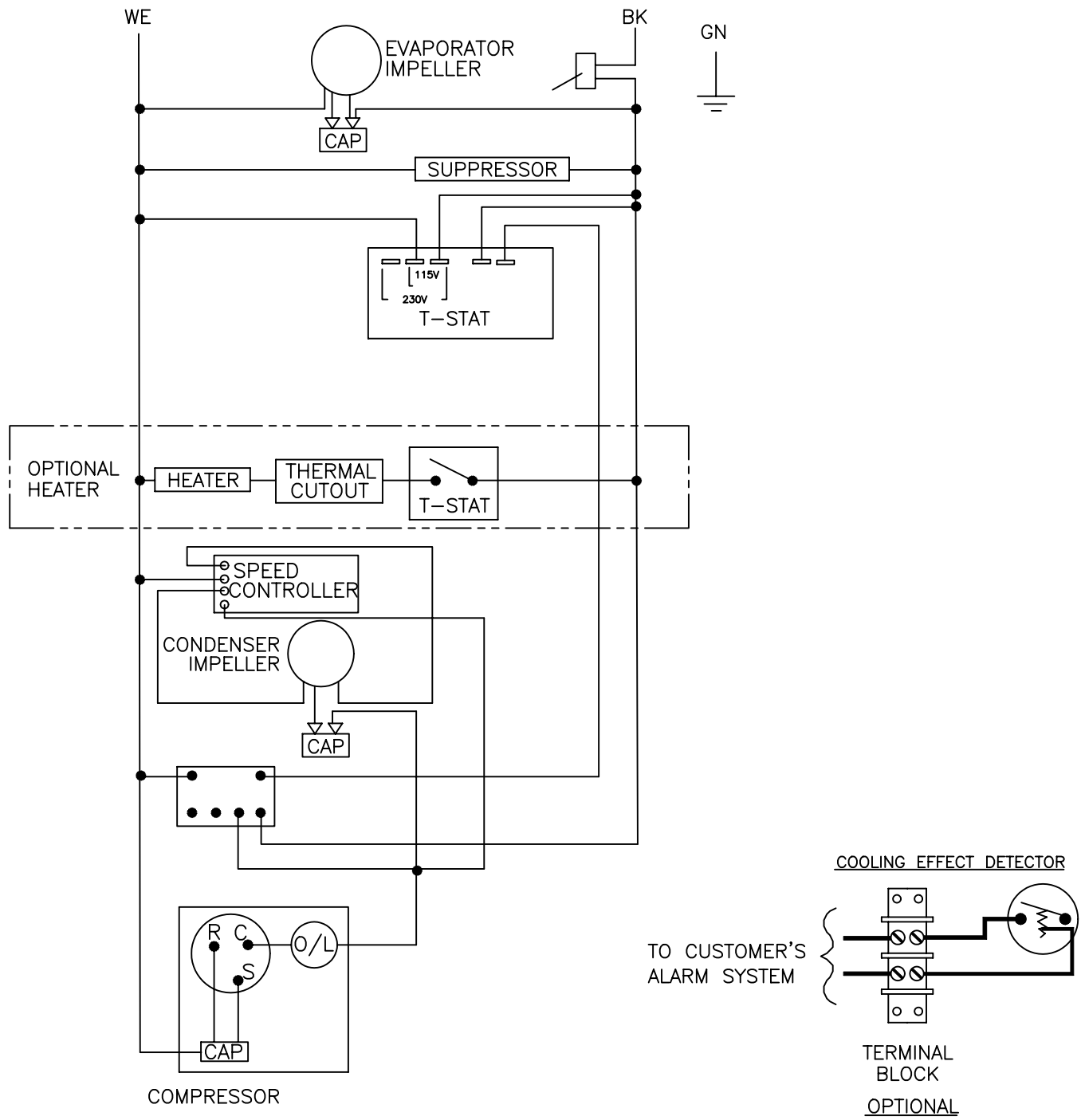


THIS DOCUMENT IS THE PROPERTY OF KOOLTRONIC, INC. AND CONTAINS PROPRIETARY AND CONFIDENTIAL INFORMATION WHICH MUST NOT BE DUPLICATED, USED OR DISCLOSED TO OTHERS, EXCEPT AS EXPRESSLY AUTHORIZED IN WRITING BY KOOLTRONIC, INC.

REVISIONS

SYM	NOTICE	DESCRIPTION	DATE	APPROVED
-	ER 05/055	NEW DRAWING RELEASE	5/18/05	JS



ALL DIMENSIONS ARE IN INCHES, DIMENSIONS DESIGNATED MM ARE IN MILLIMETERS.			
UNLESS OTHERWISE SPECIFIED TOLERANCES NON-ACCUMULATIVE		DRAWN JERRY STEDNICK	DATE 5/18/05
TOL. ON	INCHES	MM	CHECKED
.XX	± .02	±	ENG.
.XXX	± .010	±	MFG. ENG.
ANGULAR	± 1/2°		
MATERIAL			APPROVED
UNITS DP43L & DP47L			

**KOOLTRONIC, INC.**  
HOPEWELL, NJ VENTURA, CA USA

WIRING DIAGRAM			
CODE IDENT. NO. 06223	SIZE A	DWG. NO. WD-1050	REV -
SCALE N/A	CAD. REF. WD-1050	SHEET 1 OF 1	