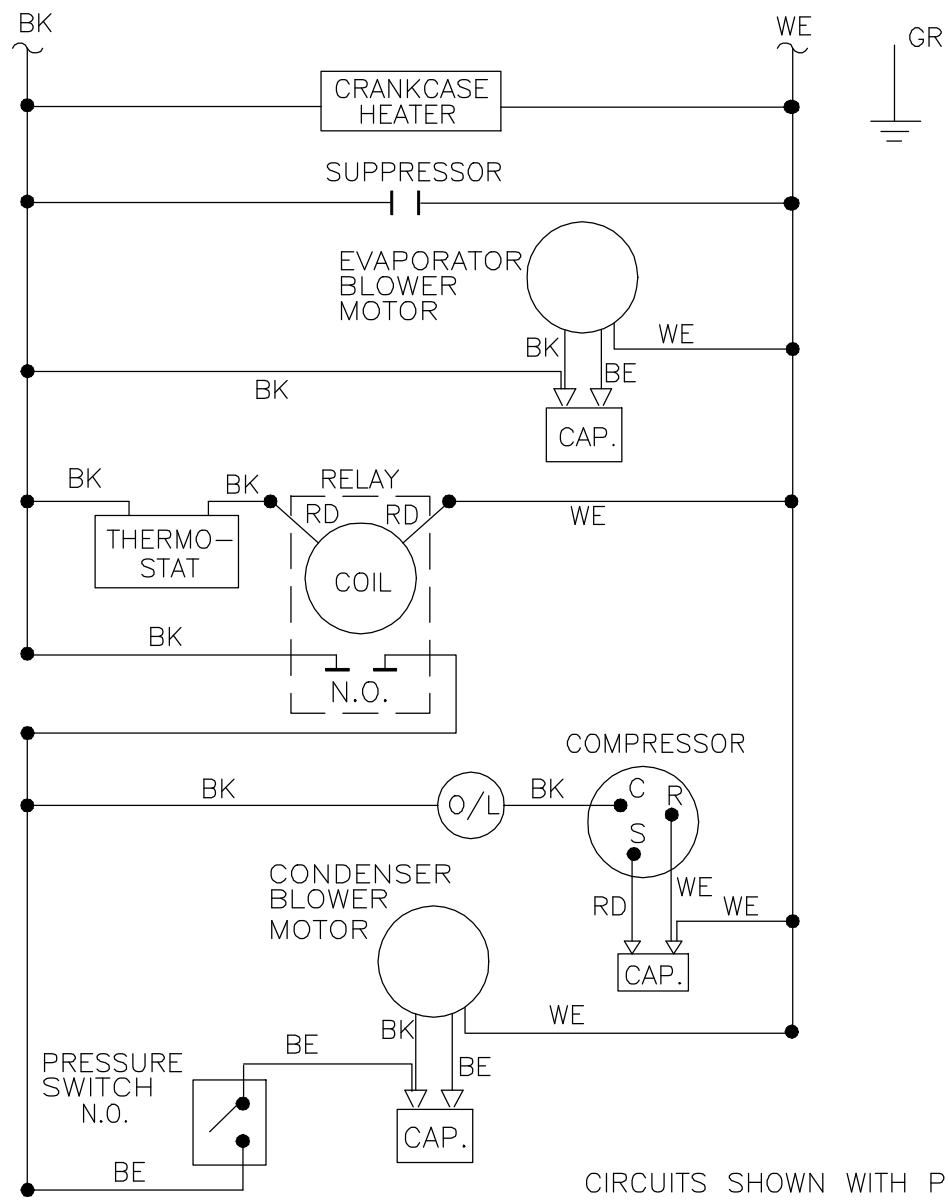



THIS DOCUMENT IS THE PROPERTY OF KOOLTRONIC, INC. AND CONTAINS PROPRIETARY AND CONFIDENTIAL INFORMATION WHICH MUST NOT BE DUPLICATED, USED OR DISCLOSED OTHER THAN AS EXPRESSLY AUTHORIZED BY KOOLTRONIC, INC.

REVISIONS				
SYM	NOTICE	DESCRIPTION	DATE	APPROVED
-	ER 92/148	NEW DRAWING RELEASE	07/31/92	MJH
A	EC 92/254	ADDED WIRE COLOR CODE, MOVED CONDENSER WIRE, ADDED CRANKCASE HEATER.	9/22/92	MJH
B	EC 93/48	REDRAWN AND REVISED	2/17/93	MJH
C	ER 94/65	ADDED UNIT K2AC_NP47-X116	03/09/94	RDG



CIRCUITS SHOWN WITH POWER OFF

ALL DIMENSIONS ARE IN INCHES, DIMENSIONS DESIGNATED MM ARE IN MILLIMETERS.		
UNLESS OTHERWISE SPECIFIED TOLERANCES NON-ACCUMULATIVE		DRAWN <i>MARTIN J. HIRSCHHORN</i> CHECKED ENG. RAY MFG. ENG.
TOL. ON	INCHES	MM
.XX	± .02	±
.XXX	± .010	±
ANGULAR		± 1/2°
MATERIAL		
UNITS	KAC_NP47-X116 K2AC_NP47-X116	APPROVED G.ROSENKRANS 07/31/92



HOPEWELL, NJ VENTURA, CA USA

WIRING DIAGRAM

CODE IDENT. NO.	SIZE	DWG. NO.	REV
06223	A	WD-111	C
SCALE 1.000=1	CAD. REF. WD000004	SHEET 1 OF 1	