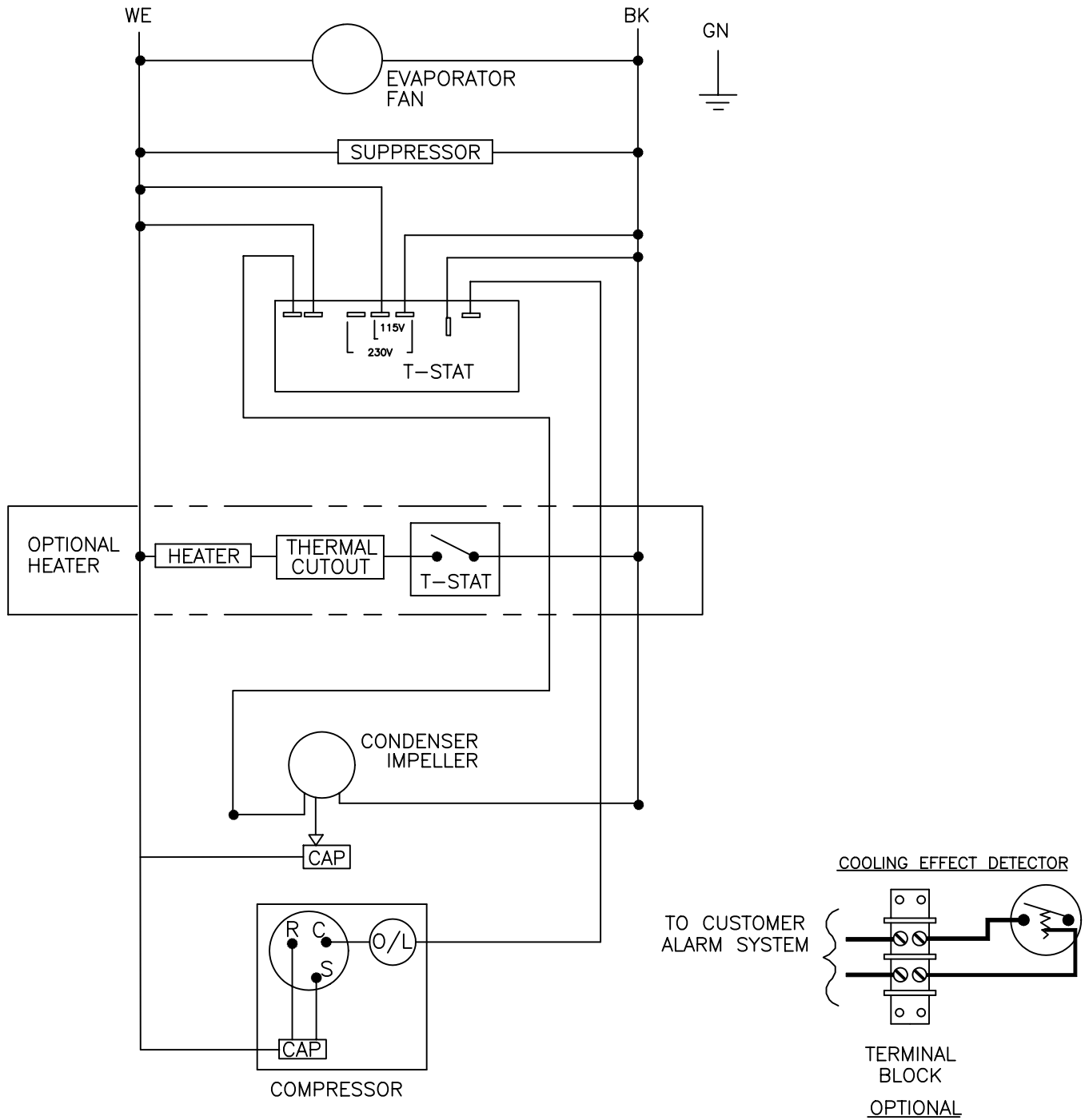


THIS DOCUMENT IS THE PROPERTY OF KOOLTRONIC, INC. AND CONTAINS PROPRIETARY AND CONFIDENTIAL INFORMATION WHICH MUST NOT BE DUPLICATED, USED OR DISCLOSED TO OTHERS, EXCEPT AS EXPRESSLY AUTHORIZED IN WRITING BY KOOLTRONIC, INC.

REVISIONS

SYM	NOTICE	DESCRIPTION	DATE	APPROVED
-	ER 05/168	NEW DRAWING RELEASE	1/13/06	JS



ALL DIMENSIONS ARE IN INCHES,
DIMENSIONS DESIGNATED MM ARE IN MILLIMETERS.



WIRING DIAGRAM

UNLESS OTHERWISE SPECIFIED TOLERANCES NON-ACCUMULATIVE			DRAWN JERRY STEDNICK	DATE 11/14/05
TOL. ON	INCHES	MM	CHECKED	
.XX	± .02	±	ENG.	
.XXX	± .010	±	BORIS MUZIKANT	11/14/05
ANGULAR		± 1/2°	MFG. ENG.	
MATERIAL			APPROVED	
UNITS	KA4C3DP21L			

CODE IDENT. NO. 06223	SIZE A	DWG. NO. WD-1126	REV -
SCALE N/A	CAD. REF. WD-1126	SHEET 1 OF 1	