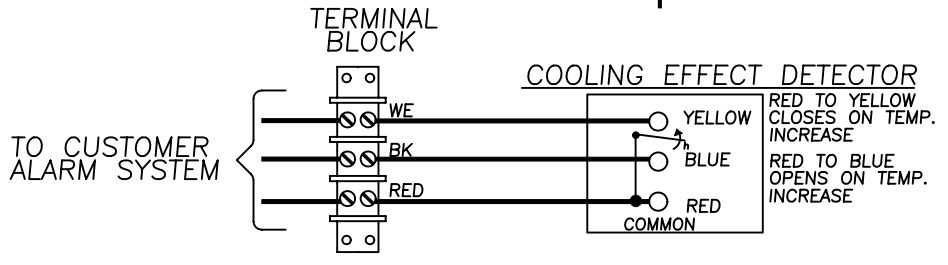
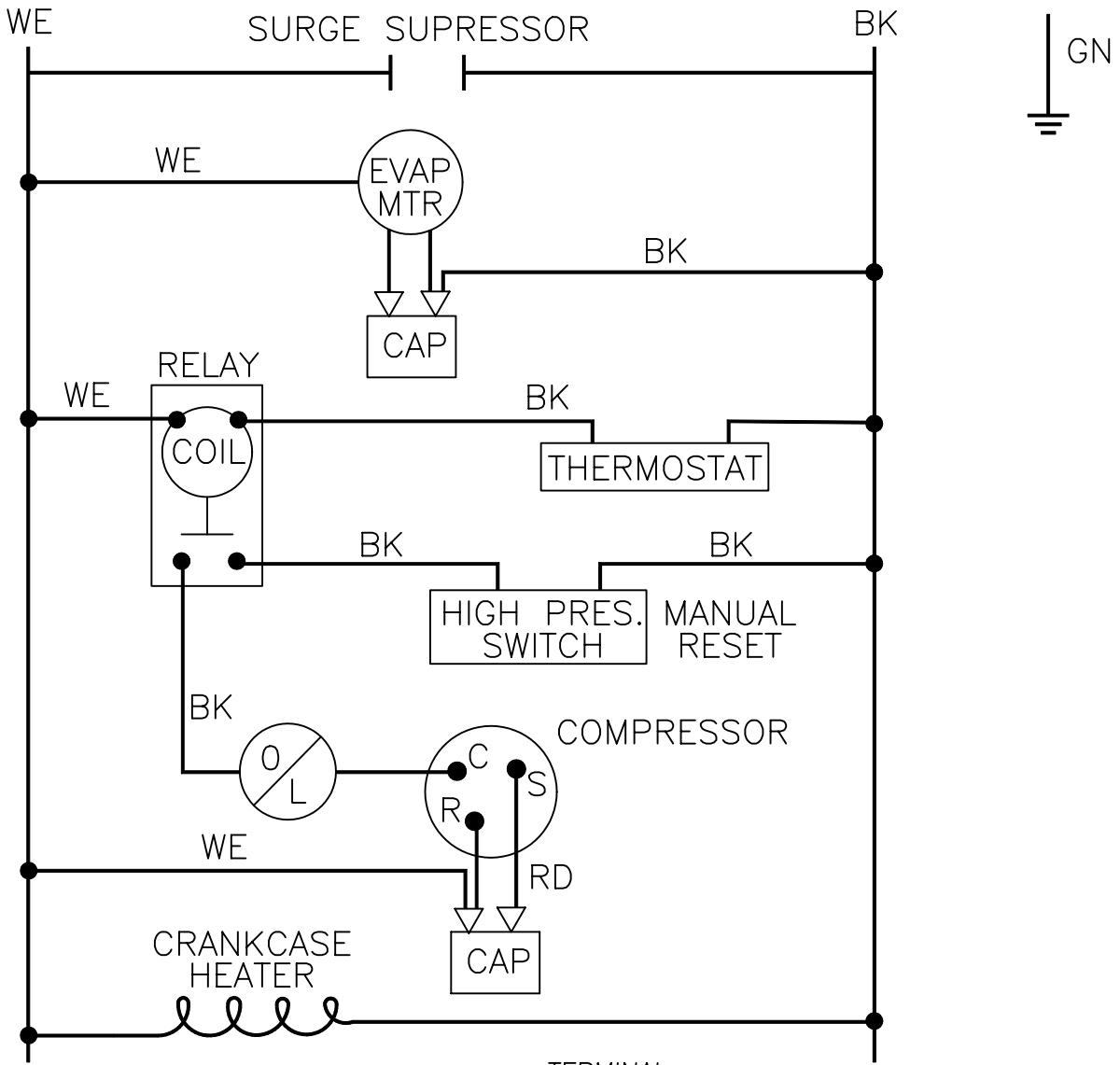


REVISIONS				
SYM	NOTICE	DESCRIPTION	DATE	APPROVED
-	EC 92/241	NEW DRAWING RELEASE	9/10/92	MJH

THIS DOCUMENT IS THE PROPERTY OF KOOLTRONIC, INC. AND CONTAINS PROPRIETARY AND CONFIDENTIAL INFORMATION WHICH MUST NOT BE DUPLICATED, USED OR DISCLOSED OTHER THAN AS EXPRESSLY AUTHORIZED BY KOOLTRONIC, INC.



ALL DIMENSIONS ARE IN INCHES, DIMENSIONS DESIGNATED MM ARE IN MILLIMETERS.

UNLESS OTHERWISE SPECIFIED TOLERANCES NON-ACCUMULATIVE			DRAWN <i>MARTIN H. RUCSHORN</i>	DATE 9/10/92
TOL. ON	INCHES	MM	CHECKED	
.XX	± .02	±	ENG.	
.XXX	± .010	±	MFG. ENG.	
ANGULAR		± 1/2°		
MATERIAL			APPROVED	
UNITS K2AC12WP59T-2				



WIRING DIAGRAM

CODE IDENT. NO. 06223	SIZE A	DWG. NO. WD-115	REV -
SCALE 1=1	CAD. REF. WD000001	SHEET 1 OF 1	