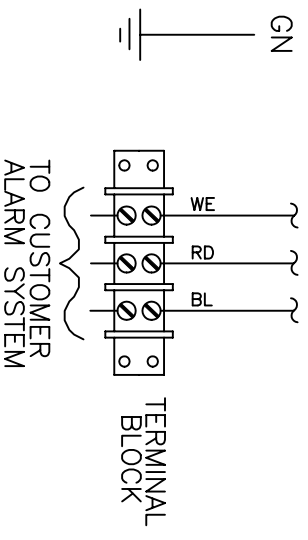
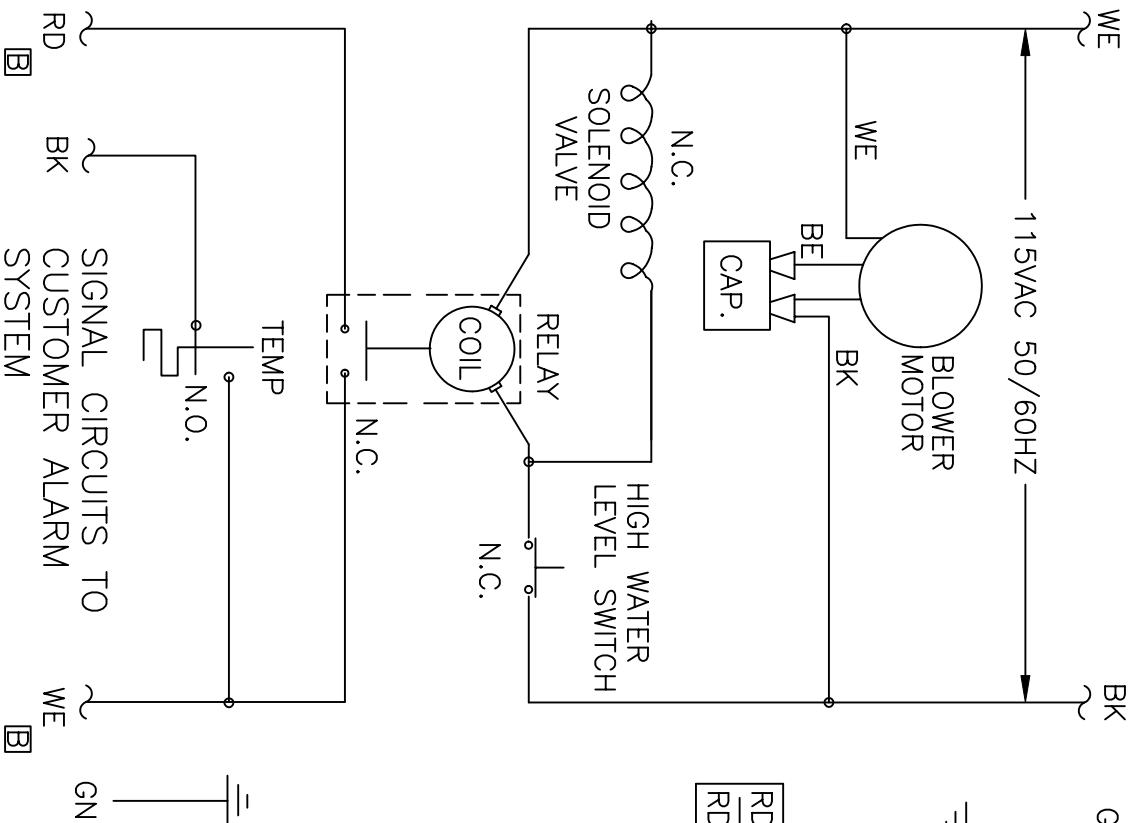


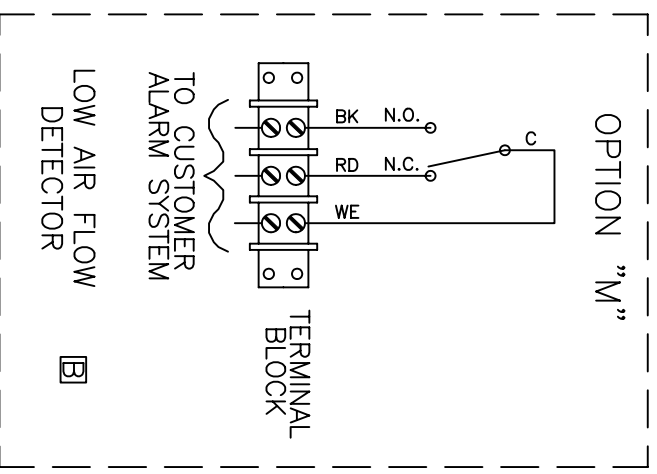
REVISIONS		DESCRIPTION	DATE	APPROVED
SYM	NOTICE			
-	EC 92/305	NEW DRAWING RELEASE.	11/6/92	MJH
A	EC 93/8	REVISED COLOR CODE ON TERMINAL BLOCK	1/19/93	MJH
B	EC 99/38	CHG. WE TO RD AND RD TO WE; ROTATED LOW AIR FLOW DETECTOR TERM. BLK. & LABELED IT OPTION "M"; ADDED HEAT/WATER ALARM TERM. BLK. & TABLE; UNIT # WAS KPHE40.	2/19/99	MRM

THIS DOCUMENT IS THE PROPERTY OF KOOLTRONIC, INC. AND CONTAINS PROPRIETARY AND CONFIDENTIAL INFORMATION WHICH MUST NOT BE DUPLICATED, USED OR DISCLOSED OTHER THAN AS EXPRESSLY AUTHORIZED BY KOOLTRONIC, INC.



RD TO BK	EXCESS HEAT ALARM	N.O.
RD TO WE	WATER LEVEL ALARM	N.O.

HEAT AND WATER ALARM



ALL DIMENSIONS ARE IN INCHES, DIMENSIONS DESIGNATED MM ARE IN MILLIMETERS.

UNLESS OTHERWISE SPECIFIED TOLERANCES NON-ACCUMULATIVE

TOL. ON	INCHES	MM	CHECKED	DATE
.XX	± .02	±	ENG.	
.XXX	± .010	±	MFG. ENG.	
ANGULAR		± 1/2°		

DRAWN BY **MARTIN J. PIRCSHORN** DATE 11/6/92

CHECKED

ENG.

MFG. ENG.

MATERIAL

APPROVED

UNITS KPHE40A



HOPEWELL, NJ VENTURA, CA USA

## WIRING DIAGRAM

CODE IDENT. NO. SIZE DWG. NO.

06223

A

WD-123

REV

B

SCALE 1=1

CAD. REF.

WD000011

SHEET

1 OF 1