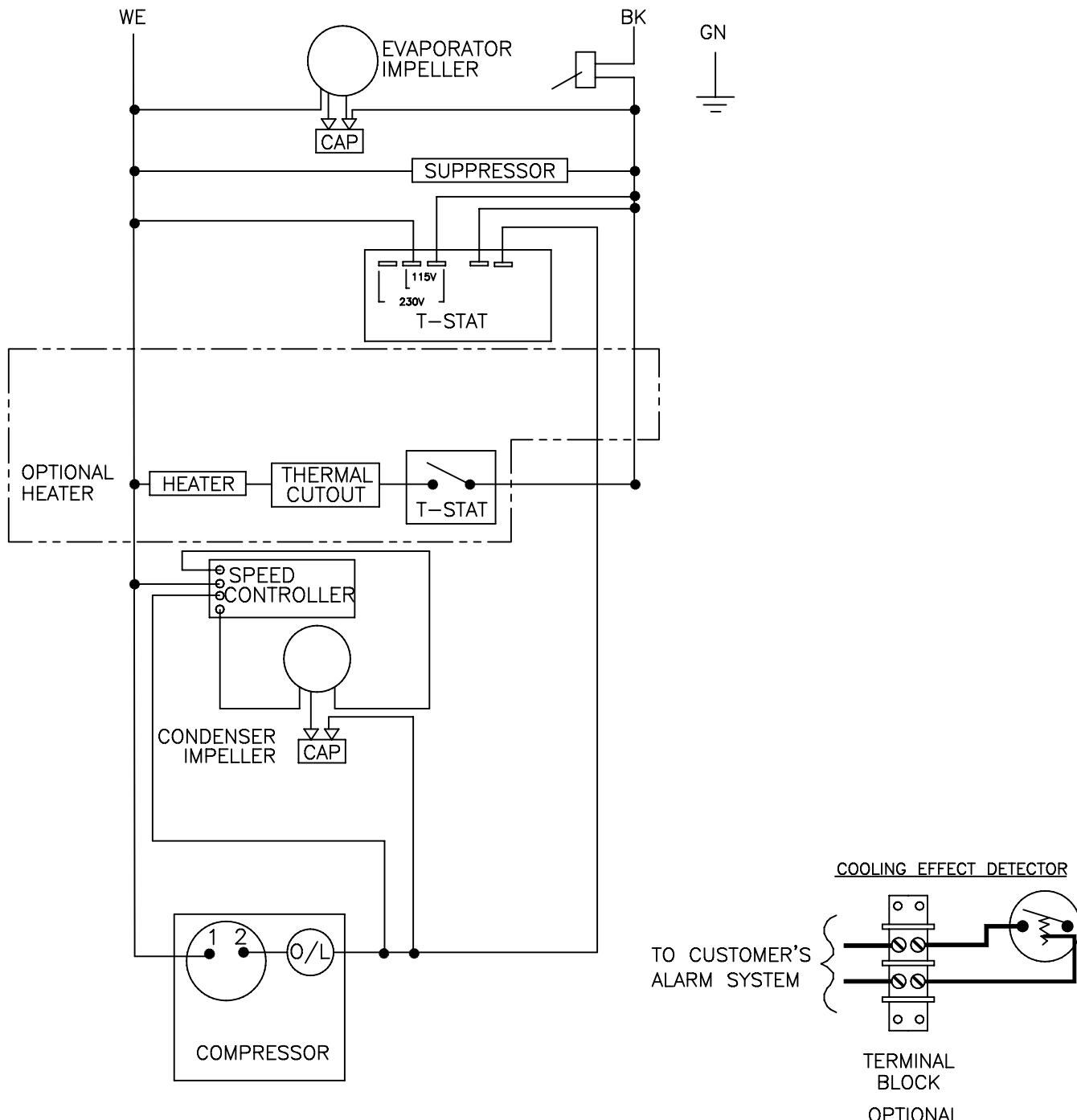


THIS DOCUMENT IS THE PROPERTY OF KOOLTRONIC, INC. AND CONTAINS PROPRIETARY AND CONFIDENTIAL INFORMATION WHICH MUST NOT BE DUPLICATED, USED OR DISCLOSED TO OTHERS, EXCEPT AS EXPRESSLY AUTHORIZED IN WRITING BY KOOLTRONIC, INC.

REVISIONS

SYM	NOTICE	DESCRIPTION	DATE	APPROVED
-	ER 08/007	NEW DRAWING RELEASE.	3/5/08	DW-JS



ALL DIMENSIONS ARE IN INCHES,  
DIMENSIONS DESIGNATED MM ARE IN MILLIMETERS.

UNLESS OTHERWISE SPECIFIED TOLERANCES NON-ACCUMULATIVE		
TOL. ON	INCHES	MM
.XX	± .02	±
.XXX	± .010	±
ANGULAR	± 1/2°	
MATERIAL		
UNITS	K_A4C5RML	

DRAWN D.WALDRON	DATE 3/5/08
CHECKED JERRY STEDNICK	DATE 4/1/08
ENG.	
MFG. ENG.	
APPROVED	



WIRING DIAGRAM

CODE IDENT. NO. 06223	SIZE A	DWG. NO. WD-1232	REV -
SCALE N/A	CAD. REF.	SHEET 1 OF 1	