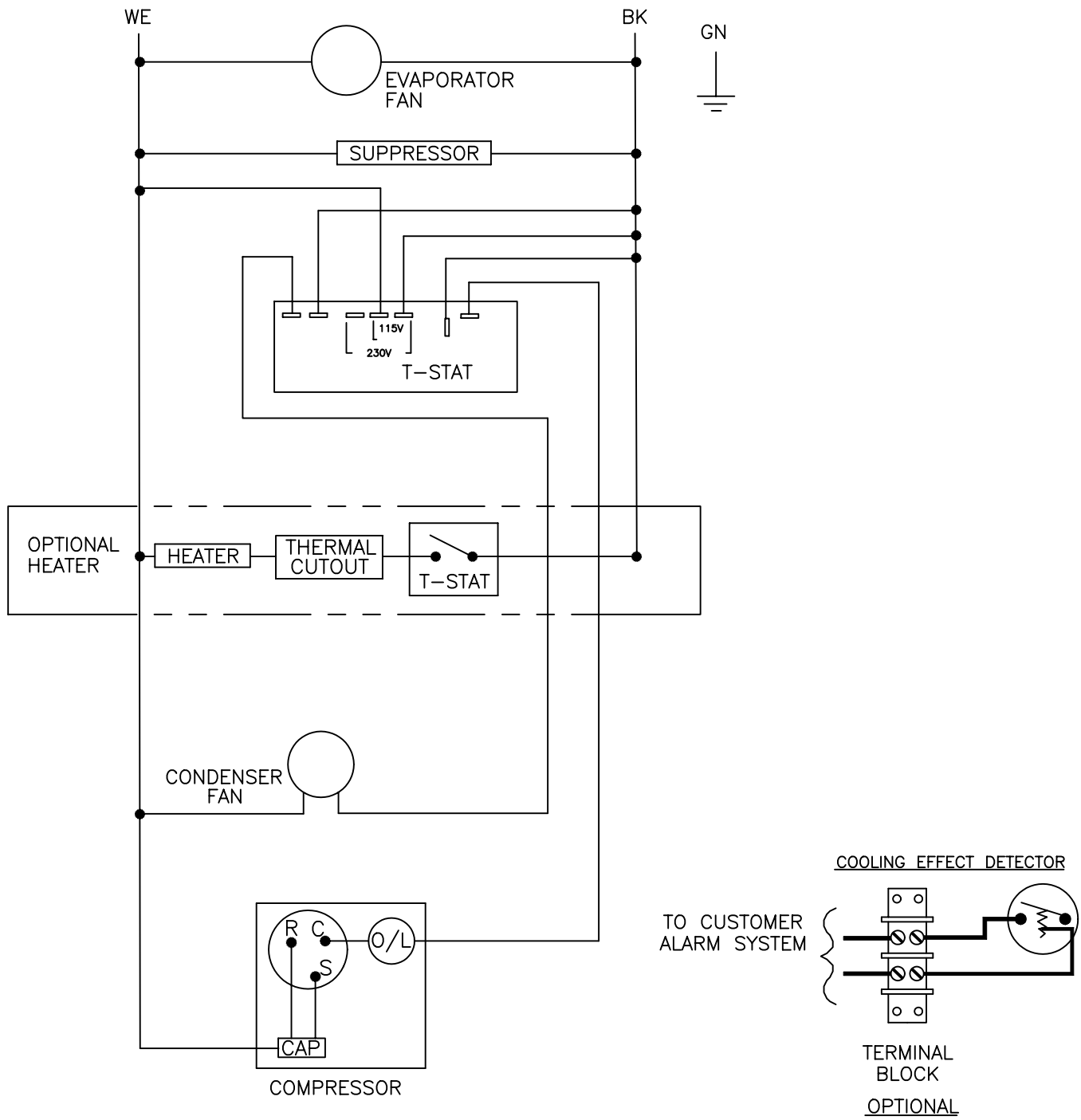


THIS DOCUMENT IS THE PROPERTY OF KOOLTRONIC, INC. AND CONTAINS PROPRIETARY AND CONFIDENTIAL INFORMATION WHICH MUST NOT BE DUPLICATED, USED OR DISCLOSED TO OTHERS, EXCEPT AS EXPRESSLY AUTHORIZED IN WRITING BY KOOLTRONIC, INC.

REVISIONS

SYM	NOTICE	DESCRIPTION	DATE	APPROVED
-	ER 08/040	NEW DRAWING RELEASE	6/2/08	JS



ALL DIMENSIONS ARE IN INCHES,
DIMENSIONS DESIGNATED MM ARE IN MILLIMETERS.



UNLESS OTHERWISE SPECIFIED TOLERANCES NON-ACCUMULATIVE			DRAWN	DATE
TOL. ON	INCHES	MM	JERRY STEDNICK	6/2/08
.XX	± .02	±	CHECKED	
.XXX	± .010	±	ENG.	
ANGULAR		± 1/2°	BORIS MUZIKANT	1/21/08
MATERIAL			MFG. ENG.	
UNITS	KNA4C1DP15L		APPROVED	

WIRING DIAGRAM

CODE IDENT. NO.	SIZE	DWG. NO.	REV
06223	A	WD-1237	-
SCALE N/A	CAD. REF.	WD-1237	SHEET 1 OF 1