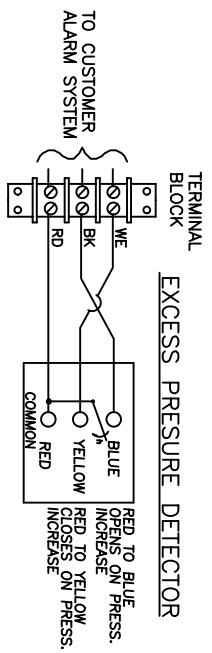
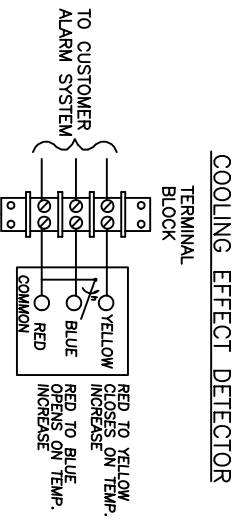
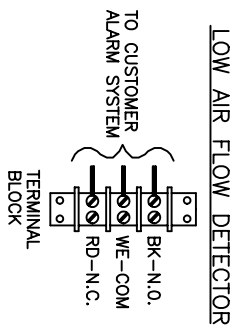
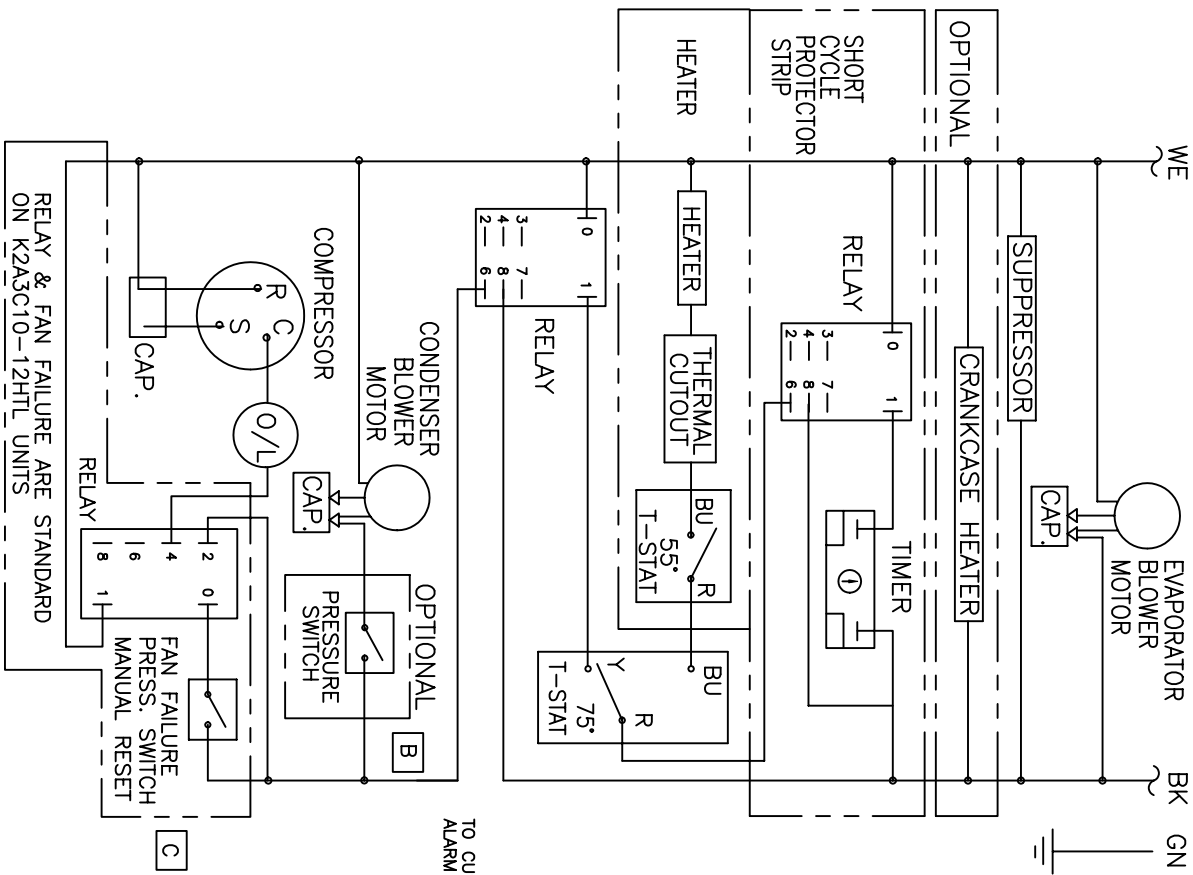


REVISIONS		DESCRIPTION	DATE	APPROVED
SYM	NOTICE			
-	EC 92/307	NEW DRAWING RELEASE	11/10/92	MJH
A	ER 98/140	REVISED AND REDRAWN TO SHOW CURRENT CONFIGURATION	6/23/98	JMB
B	EC 98/209	PUT OPTIONAL PRESSURE SWITCH ON COND. BLOWER LINE	10/9/98	JMB
C	EC 98/246	ADDED RELAY & FAN FAILURE SWITCH TO 10-12HTL UNITS	11/30/98	SDS
D	EC 99/8	ADDED "MANUAL RESET" TO FANFAILURE PRESS. SWITCH NOTE	1/13/99	RL

THIS DOCUMENT IS THE PROPERTY OF KOOLTRONIC, INC. AND CONTAINS PROPRIETARY AND CONFIDENTIAL INFORMATION WHICH MUST NOT BE DUPLICATED, USED OR DISCLOSED OTHER THAN AS EXPRESSLY AUTHORIZED BY KOOLTRONIC, INC.



ALL DIMENSIONS ARE IN INCHES, DIMENSIONS DESIGNATED MM ARE IN MILLIMETERS.

UNLESS OTHERWISE SPECIFIED TOLERANCES NON-ACCUMULATIVE	DRAWN	DATE
TOL. ON INCHES	MARTIN JACOBSON	11/10/92
TOL. ON MM	B. FATTO	12/2/92
.XX	ENG.	JC
.XXX	ENG.	11/19/92
ANGULAR	MFG. ENG.	
MATERIAL		
UNITS KA3C 7 THRU 16 HT KAC_P47, 52, 59	APPROVED G. ROSENKRANS	11/25/92

**KOOLTRONIC, INC.**  
HOPEWELL, NJ VENTURA, CA USA

**WIRING DIAGRAM**

CODE IDENT. NO. 06223	SIZE A	DWG. NO. WD-125	REV D
SCALE NONE	CAD. REF. WD000013	SHEET 1 OF 1	