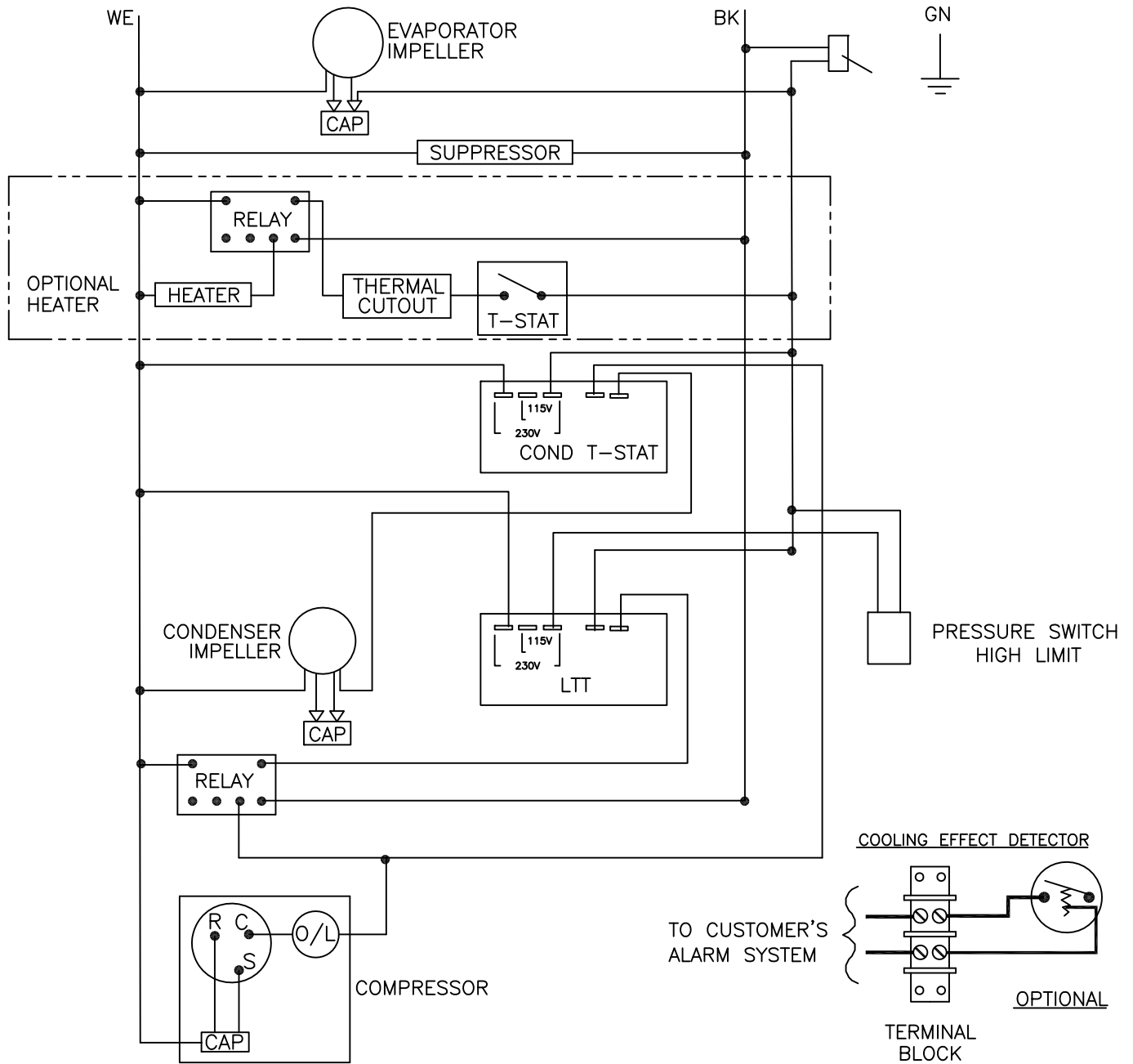


THIS DOCUMENT IS THE PROPERTY OF KOOLTRONIC, INC. AND CONTAINS PROPRIETARY AND CONFIDENTIAL INFORMATION WHICH MUST NOT BE DUPLICATED, USED OR DISCLOSED TO OTHERS, EXCEPT AS EXPRESSLY AUTHORIZED IN WRITING BY KOOLTRONIC, INC.

REVISIONS

SYM	NOTICE	DESCRIPTION	DATE	APPROVED
-	ER 08/075	NEW DRAWING RELEASE	12/8/08	JS
A	EC 09/690	ADDED PRESSURE SWITCH HIGH LIMIT.	12/22/09	DW-/JS
B	EC 11/288	ADDED RELAY ON HEATER OPTION	1/8/13	JS



ALL DIMENSIONS ARE IN INCHES,
DIMENSIONS DESIGNATED MM ARE IN MILLIMETERS.

UNLESS OTHERWISE SPECIFIED
TOLERANCES NON-ACCUMULATIVE

TOL. ON	INCHES	MM
.XX	± .02	±
.XXX	± .010	±
ANGULAR		± 1/2°

DRAWN	DATE
JERRY STEDNICK	12/5/08
CHECKED	
STEVE SCHMIERER	1/7/09
ENG.	
Boris M	1/28/10
MFG. ENG.	



WIRING DIAGRAM
COND. & COMPRESSOR T-STAT

MATERIAL		CODE IDENT. NO.	SIZE	DWG. NO.	REV
UNITS	K2_A_C14DP50L	APPROVED	Joe Milko	1/29/10	06223 A WD-1270 B
SCALE	N/A	CAD. REF.	WD-1270	SHEET	1 OF 1