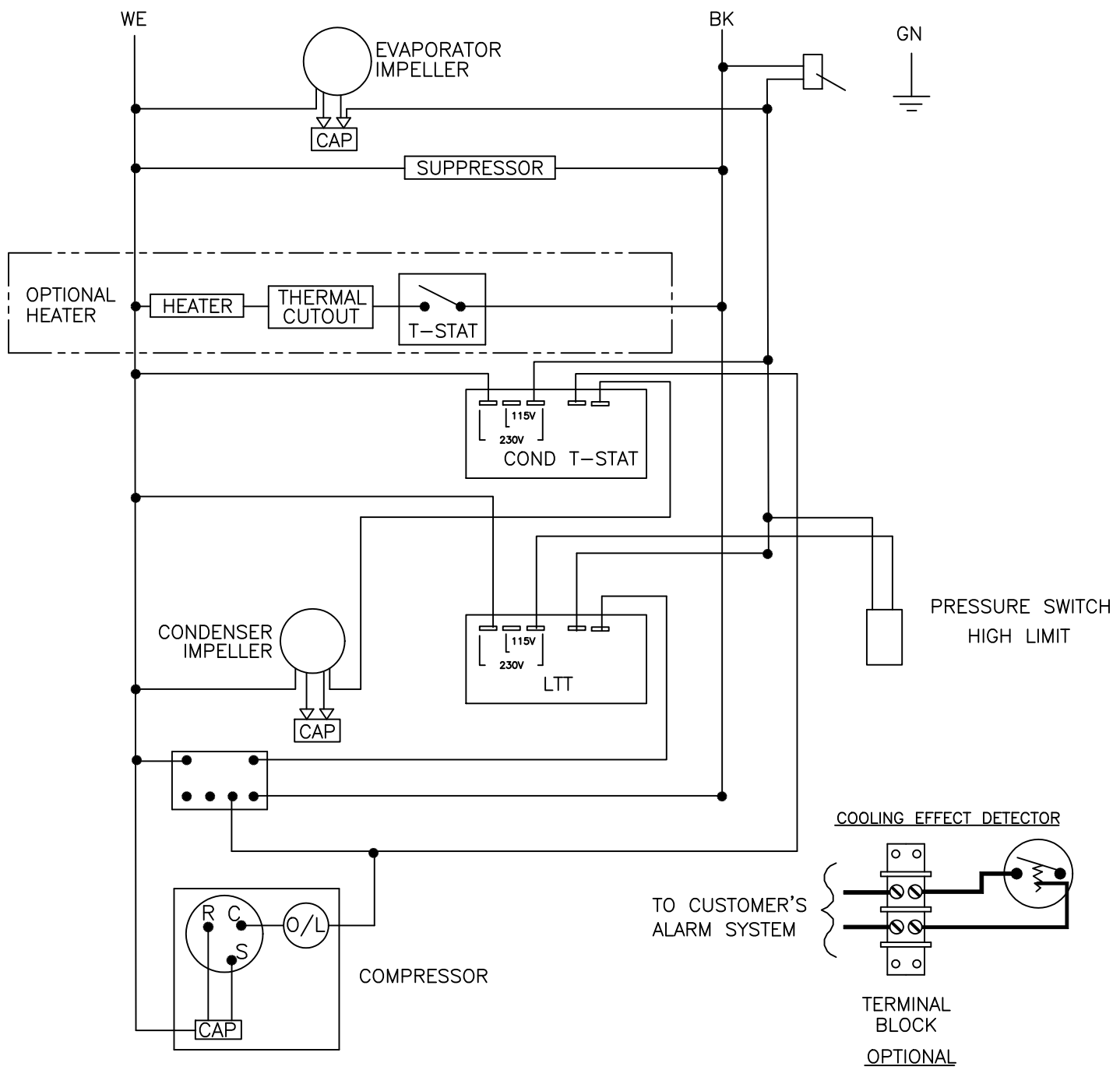


THIS DOCUMENT IS THE PROPERTY OF KOOLTRONIC, INC. AND CONTAINS PROPRIETARY AND CONFIDENTIAL INFORMATION WHICH MUST NOT BE DUPLICATED, USED OR DISCLOSED TO OTHERS, EXCEPT AS EXPRESSLY AUTHORIZED IN WRITING BY KOOLTRONIC, INC.

REVISIONS

SYM	NOTICE	DESCRIPTION	DATE	APPROVED
-	ER 09/001	NEW DRAWING RELEASE	1/5/09	JS
A	EC 09/691	ADDED PRESSURE SWITCH HIGH LIMIT.	12/28/09	DW-/JS



ALL DIMENSIONS ARE IN INCHES, DIMENSIONS DESIGNATED MM ARE IN MILLIMETERS.



UNLESS OTHERWISE SPECIFIED TOLERANCES NON-ACCUMULATIVE		
TOL. ON	INCHES	MM
.XX	± .02	±
.XXX	± .010	±
ANGULAR	± 1/2°	

DRAWN	DATE
JERRY STEDNICK	1/5/09
CHECKED	
STEVE SCHMIERER	3/25/09
ENG.	
BORIS M	1/28/10
MFG. ENG.	
APPROVED	
JOE MILKO	1/29/10

WIRING DIAGRAM
COND. & COMPRESSOR T-STAT

MATERIAL	UNITS	K_NA_C18DP53L	CODE IDENT. NO.	06223	SIZE	A	DWG. NO.	WD-1275	REV	A
SCALE		N/A	CAD. REF.		WD-1275		SHEET		1 OF 1	