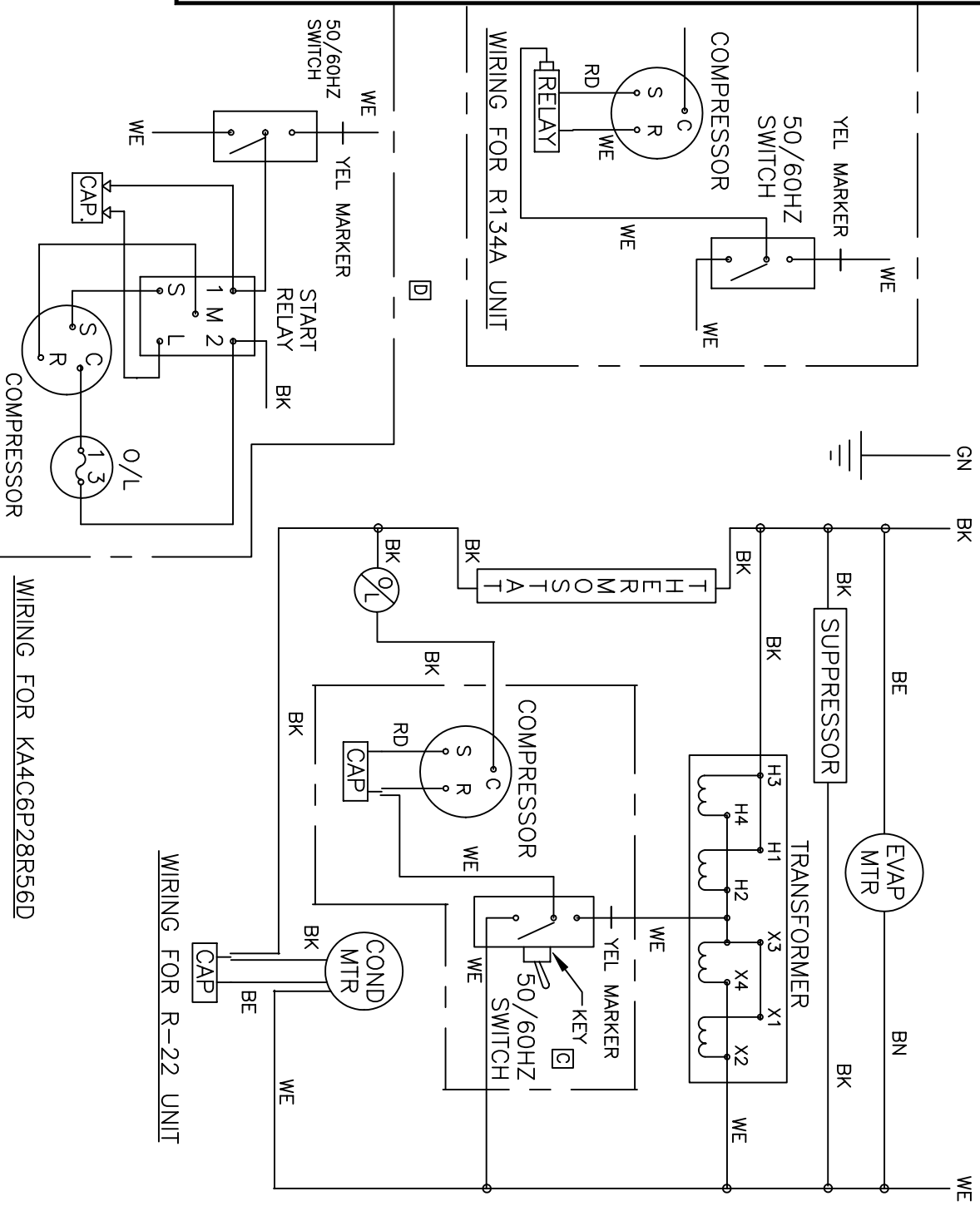


REVISIONS		DESCRIPTION	DATE	APPROVED
SYM	NOTICE			
-	ER 92/326	NEW DRAWING RELEASE	12/2/92	MJH
A	EC 94/254	ADDED WIRING FOR R134A UNITS	11/15/94	MJH
B	EC 97/3	H1 WAS H2, H2 WAS H1, H3 WAS H4, H4 WAS H3 X1 WAS X2, X2 WAS X1, X3 WAS X4, X4 WAS X3	1/3/97	JMB
C	EC 98/2	REV. SWITCH DIAG. ADDED KEY NOTE	4/13/98	SDS
D	ER 98/133	ADDED WIRING FOR KA4C6P28R56D	7/8/98	SDS
E	EC 99/8	MODIFY COMP. CAP. / RELAY WIRING	1/13/99	RL

THIS DOCUMENT IS THE PROPERTY OF KOOLTRONIC, INC. AND CONTAINS PROPRIETARY AND CONFIDENTIAL INFORMATION WHICH MUST NOT BE DUPLICATED, USED OR DISCLOSED OTHER THAN AS EXPRESSLY AUTHORIZED BY KOOLTRONIC, INC.



ALL DIMENSIONS ARE IN INCHES, DIMENSIONS DESIGNATED MM ARE IN MILLIMETERS.

UNLESS OTHERWISE SPECIFIED TOLERANCES NON-ACCUMULATIVE

TOL. ON	INCHES	MM
.XX	± .02	±
.XXX	± .010	±
ANGULAR		± 1/2°

DRAWN	MARTIN JERICSHORN	DATE	12/2/92
CHECKED			
ENG.	S.R.		11/16/94
MFG. ENG.			

UNITS	KA4C_P28/56	APPROVED	BKK	11/16/94
	KA4CP28-8, KA4C6P28R56D			

KOOLTRONIC, INC.
HOPEWELL, NJ VENTURA, CA USA

WIRING DIAGRAM

CODE IDENT. NO.	06223	SIZE	A	DWG. NO.	WD-133	REV	E
SCALE	1=1	CAD. REF.	WD0000021	SHEET	1 OF 1		