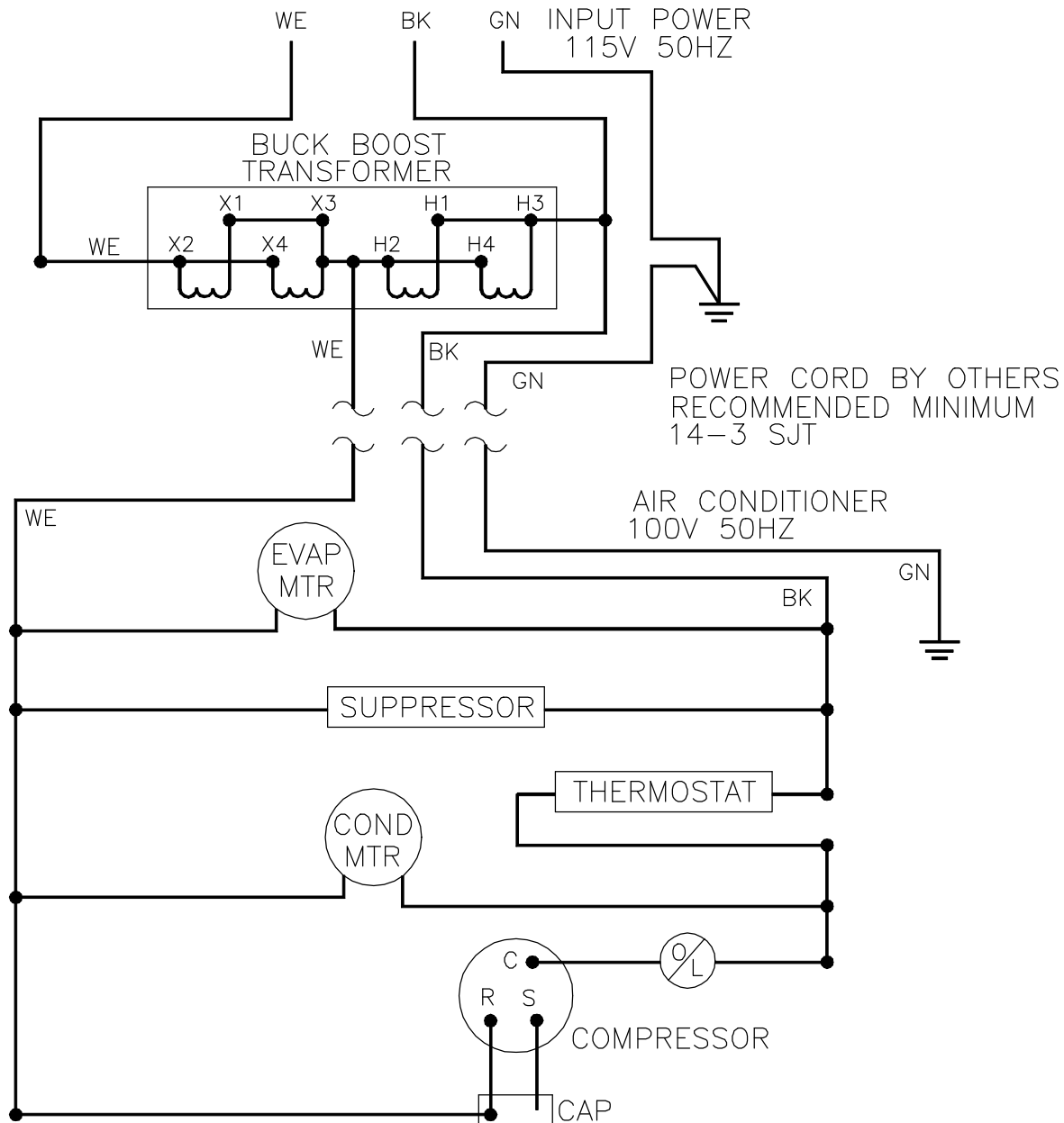


REVISIONS				
SYM	NOTICE	DESCRIPTION	DATE	APPROVED
-	ER 92/252	NEW DRAWING RELEASE	12/4/92	MJH
A	EC 97/3	H1 WAS H2, H2 WAS H1, H3 WAS H4, H4 WAS H3 X1 WAS X2, X2 WAS X1, X3 WAS X4, X4 WAS X3	1/3/97	JMB

THIS DOCUMENT IS THE PROPERTY OF KOOLTRONIC, INC. AND CONTAINS PROPRIETARY AND CONFIDENTIAL INFORMATION WHICH MUST NOT BE DUPLICATED, USED OR DISCLOSED OTHER THAN AS EXPRESSLY AUTHORIZED BY KOOLTRONIC, INC.



ALL DIMENSIONS ARE IN INCHES,  
DIMENSIONS DESIGNATED MM ARE IN MILLIMETERS.

UNLESS OTHERWISE SPECIFIED TOLERANCES NON-ACCUMULATIVE		
TOL. ON	INCHES	MM
.XX	± .02	±
.XXX	± .010	±
ANGULAR		± 1/2°
MATERIAL		
UNITS	KAC1.5NM/50-1	

DRAWN	<i>MARTIN HERCSHORN</i>	DATE	12/4/92
CHECKED	B. FATTO		12/9/92
ENG.	JC		12/9/92
MFG. ENG.			
APPROVED	G. ROSENKRANS		12/9/92



## WIRING DIAGRAM

CODE IDENT. NO.	SIZE	DWG. NO.	REV
06223	A	WD-135	-
SCALE 1.000=1	CAD. REF. WD00023	SHEET	1 OF 1