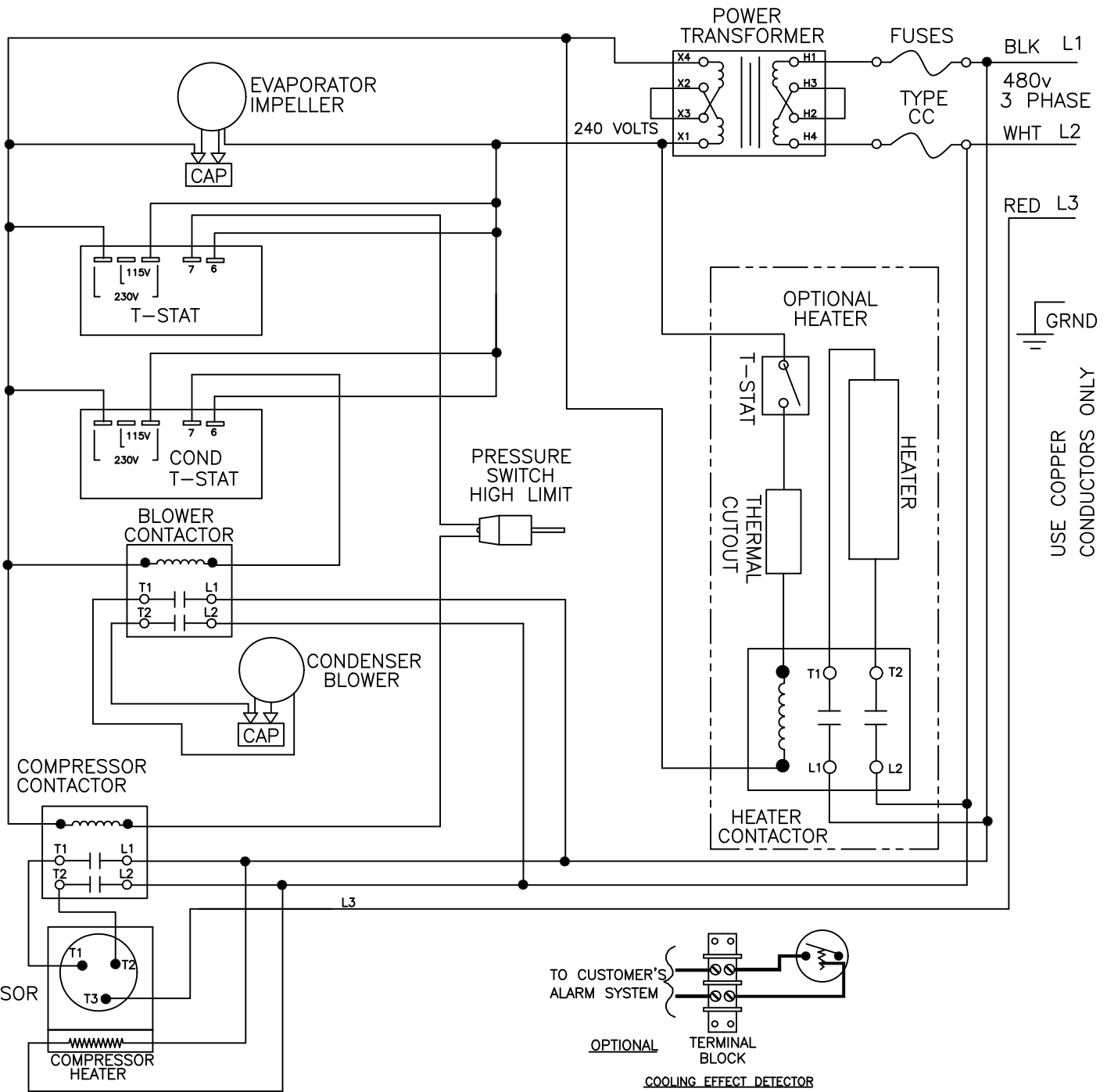


THIS DOCUMENT IS THE PROPERTY OF KOOLTRONIC, INC. AND CONTAINS PROPRIETARY AND CONFIDENTIAL INFORMATION WHICH MUST NOT BE DUPLICATED, USED OR DISCLOSED TO OTHERS, EXCEPT AS EXPRESSLY AUTHORIZED IN WRITING BY KOOLTRONIC, INC.

REVISIONS

SYM	NOTICE	DESCRIPTION	DATE	APPROVED
-	ER 11/018	NEW DRAWING RELEASE	4/14/11	JS



USE COPPER CONDUCTORS ONLY

ALL DIMENSIONS ARE IN INCHES, DIMENSIONS DESIGNATED MM ARE IN MILLIMETERS.

UNLESS OTHERWISE SPECIFIED TOLERANCES NON-ACCUMULATIVE		
TOL. ON	INCHES	MM
.XX	± .02	±
.XXX	± .010	±
ANGULAR	± 1/2°	

DRAWN JERRY STEDNICK	DATE 4/15/11
CHECKED Steve Schmierer	5/27/11
ENG.	
JIM DISLER	5/27/11
MFG. ENG.	



WIRING DIAGRAM

MATERIAL	APPROVED Joe M/Bruce K	6/1/11
UNITS 460V DP60		

CODE IDENT. NO. 06223	SIZE A	DWG. NO. WD-1369	REV -
SCALE N/A	CAD. REF. WD-1369	SHEET 1 OF 1	